

FMO High Flow Series Filter Housings

High Flow 316L Stainless Steel Multi-Cartridge Filter Housing for Industrial Applications

- Accepts 12 or 21, 30" (76.2 cm) or 40" (102 cm) Filter Cartridges
- Housing is Designed to Accept DOE, M3 (Code 3) or M8 (Code 8) Style Filter Cartridges
- 316L Stainless Steel Material of Construction for Corrosion Resistance
- Swing Bolt Closure Design Assures Secure Sealing and Ease of Change Outs
- Side-In/Side-Out Design Allows for Easy Piping
- 150 PSIG (10.3 BAR) Maximum Operating Pressure Permits Use in Many Applications
- 1" (2.5 cm) Drain Ports Allow Rapid Evacuation of Vessel

Housing Specifications

Maximum Operating Pressure:

150 psig (10.3 bar) @ 200°F (93°C)

NOTE: Maximum operating pressure ratings are vessel ratings only. Safe operating temperature and pressure will depend on filter cartridge and gasket/O-ring used. For inquiries on compatibility, contact the factory or your Pall distributor.

Construction:

Head: 316L Stainless steel
 Shell: 316L Stainless steel
 Connections: 316L Stainless steel
 Bolting: Zinc Plated Steel

Connections:

Inlet/Outlet
 12 Around: 3" ANSI RF Flange
 21 Around: 4" ANSI RF Flange
 Vent: ½" NPT
 Drain: 1" NPT

Shell O-rings: EPDM (standard), Buna N, Silicone Elastomer, Viton¹ A

Customization:

Housings can be engineered to meet the specific needs of the process and installation. Contact your Pall distributor or Technical Services for assistance.

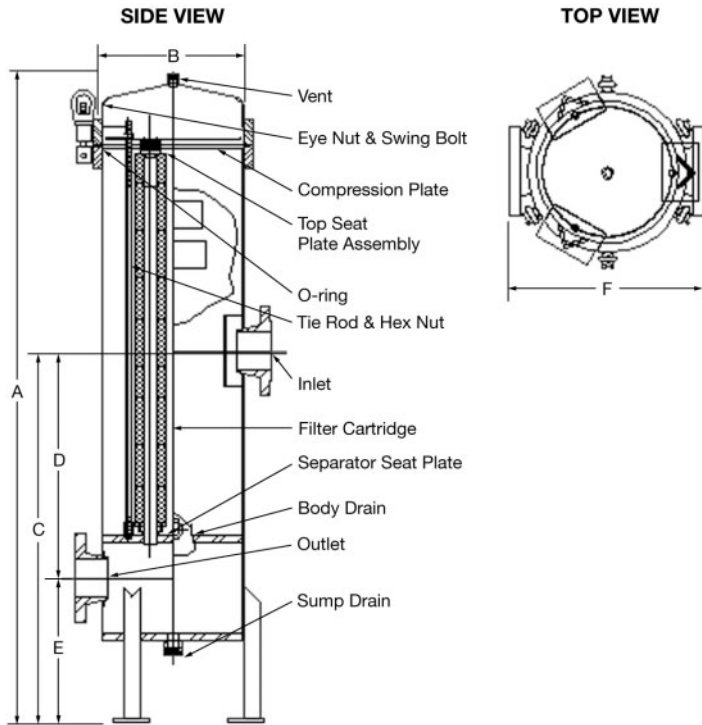


¹ Registered trademark of DuPont Dow.

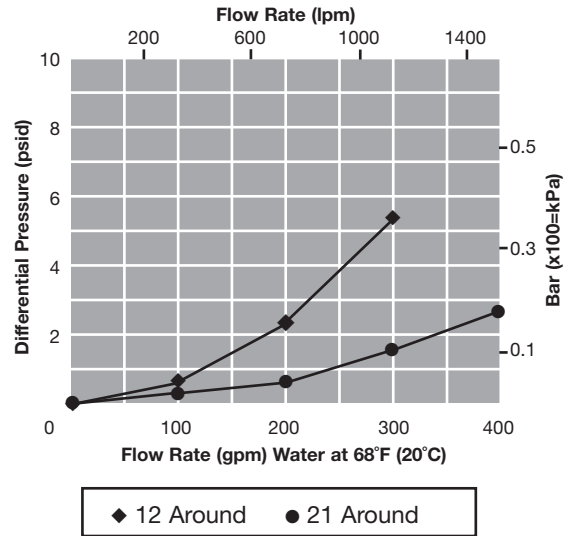
Dimensional Data (nominal)

Model	# Columns	Dimensions (inches)						Flow Rate ² (gpm)	Weight In lbs. (Empty)
		A	B	C	D	E	F		
36FMO3	12	56 (142.2 cm)	12 (30.5 cm)	31 (78.7 cm)	19 (48.3 cm)	12 (30.5 cm)	16 3/8 (41.6 cm)	180 (681 lpm)	220 (100 kg)
48FMO4	12	66 (167.6 cm)	12 (30.5 cm)	31 (78.7 cm)	19 (48.3 cm)	12 (30.5 cm)	16 3/8 (41.6 cm)	240 (909 lpm)	235 (107 kg)
63FMO3	21	57 (144.8 cm)	16 (40.6 cm)	31 (78.7 cm)	19 (48.3 cm)	12 (30.5 cm)	20 3/4 (52.7 cm)	315 (1192 lpm)	285 (129 kg)
84FMO4	21	67 (170.2 cm)	16 (40.6 cm)	31 (78.7 cm)	19 (48.3 cm)	12 (30.5 cm)	20 3/4 (52.7 cm)	420 (1590 lpm)	305 (138 kg)

² For viscosity and specific gravity similar to water.



Housing Differential Pressure vs. Liquid Flow Rate



For liquids other than water, multiply differential pressure by specific gravity.

Part Numbers/Ordering Information

■ FMO ● - 316L - ◆ F - ☉ (e.g., 63FMO3-316L-4F-IP)

Code	No. of 10" Equivalents
36	36
48	48
63	63
84	84

Code	Cartridge Lengths
3	30"
4	40"

Code	Inlet/Outlet Connection Sizes
3	3" for 36 and 48
4	4" for 63 and 84

Code	Internal Parts ³
Blank	No Internal Parts
IP	Internal Parts

³ Standard vessels include internal parts of top seat plates and tube guides. Basic vessels without internal parts may be ordered as non-stock items.



2200 Northern Boulevard
East Hills, New York 11548-1289

1.800.FILTERS toll free
516.484.5400 phone
516.484.0364 fax
information@pall.com e-mail

Filtration. Separation. Solution.SM

Visit us on the Web at www.pall.com

Pall Corporation has offices and plants throughout the world in locations including: Argentina, Australia, Austria, Belgium, Brazil, Canada, China, France, Germany, Hong Kong, India, Indonesia, Ireland, Italy, Japan, Korea, Malaysia, Mexico, the Netherlands, New Zealand, Norway, Poland, Puerto Rico, Russia, Singapore, South Africa, Spain, Sweden, Switzerland, Taiwan, Thailand, United Kingdom, United States, and Venezuela. Distributors are located in all major industrial areas of the world.

© Copyright 2004, Pall Corporation. Pall and PALL are trademarks of Pall Corporation. © Indicates a Pall trademark registered in the USA. Filtration. Separation. Solution.SM is a service mark of Pall Corporation.