



8165-8166-8175-8176 Grease+Gard®
Grease Recovery Device (GRD II)

GRD II OPERATIONS AND MAINTENANCE MANUAL

ELECTRICAL CONNECTION

GROUNDING AND THE USE OF A GFCI (GROUND FAULT CIRCUIT INTERRUPTER):

WARNING:

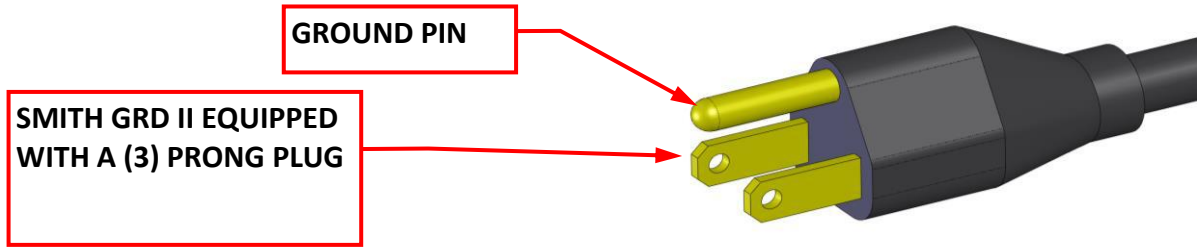
DO NOT CONNECT THE GRD II (GREASE RECOVERY DEVICE) TO POWER UNLESS THE HEATER ELEMENTS ARE SUBMERGED UNDER WATER AS OPERATION OF THESE HEATERS IN THE ATMOSPHERE WILL CAUSE UNSAFE OPERATING TEMPERATURES AND WILL DESTROY THE HEATER ELEMENTS.

The Smith GRD II GG is equipped with a (3) prong plug and **MUST** be plugged into a (3) prong wall socket only, that is protected by a GFCI (Ground Fault Circuit Interrupter). The GFCI should be tested on a regular basis.

DO NOT use a (2) prong plug adapter or (2) prong wall socket as shown below.

Voltage: 120 VAC 60 Hz Only. Power consumption (5) Amperes Max.

DO NOT Remove or cut off the ground pin.



WARNING:
DO NOT USE THESE TYPES OF DEVICES: (2) PRONG WALL SOCKETS OR ADAPTERS. THE (3) PRONG WALL SOCKET CAN ONLY BE USED IF PROTECTED BY A GFCI (GROUND FAULT CIRCUIT INTERRUPTER DEVICE) AT THE BREAKER ENCLOSURE OR AS SHOWN BELOW



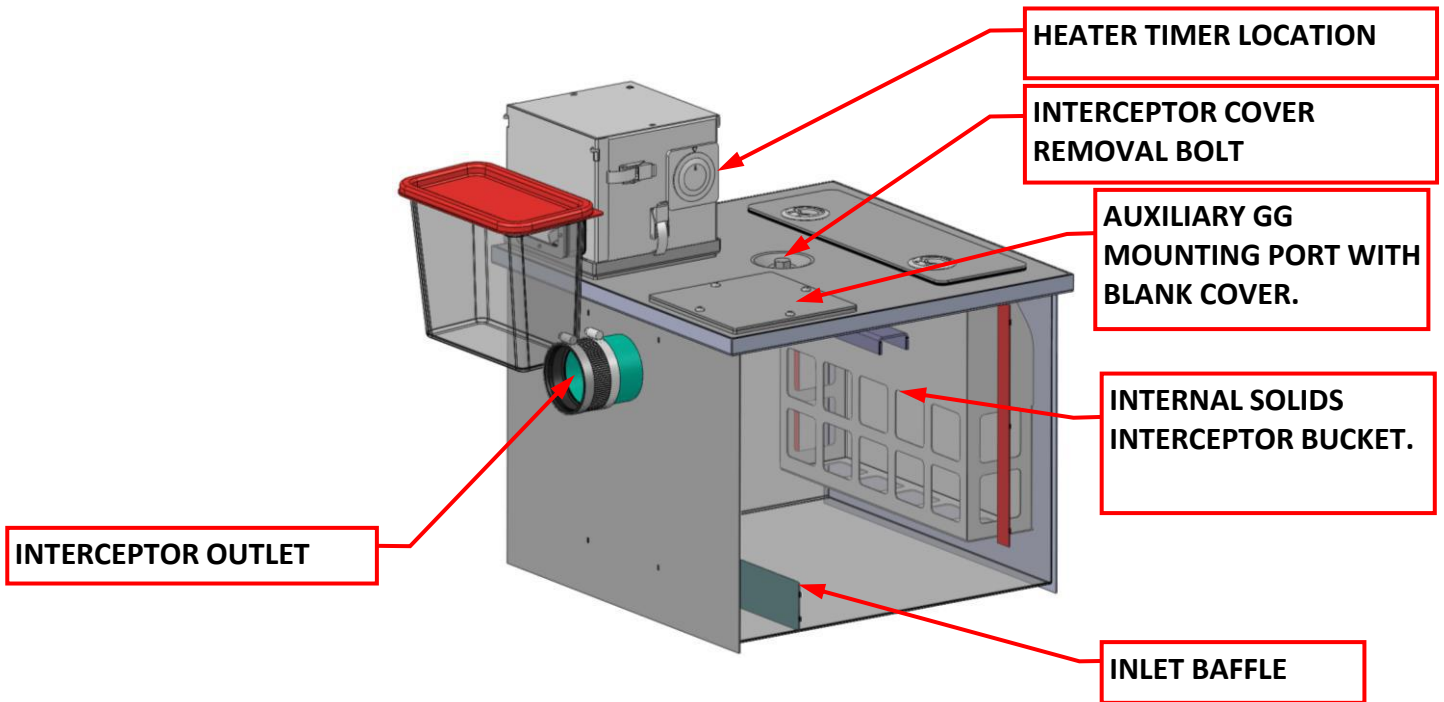
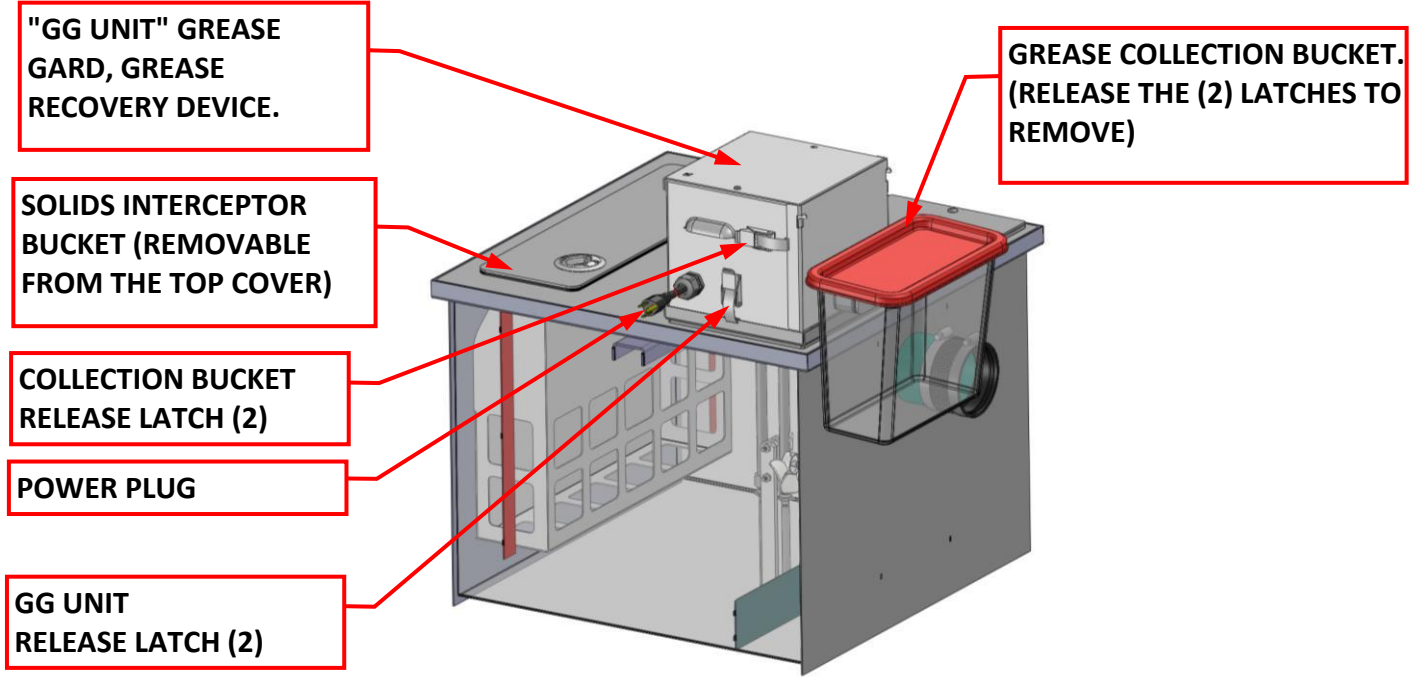
WARNING:
USE ONLY THIS TYPE OF GFCI (GROUND FAULT CIRCUIT INTERRUPTER DEVICE) (3) PRONG WALL SOCKET OR A BREAKER ENCLOSURE GFCI AND TEST REGULARLY ACCORDING TO MANUFACTURES INSTRUCTIONS.





GRD II OPERATIONS AND MAINTENANCE MANUAL

OVERALL GENERAL DESCRIPTION: GRD II (GREASE RECOVERY DEVICE)





GRD II OPERATIONS AND MAINTENANCE MANUAL TIMER SETTINGS

SETTING THE INTERNAL AND EXTERNAL TIMERS FOR OPTIMAL OPERATION AND MAXIMUM ENERGY SAVINGS:

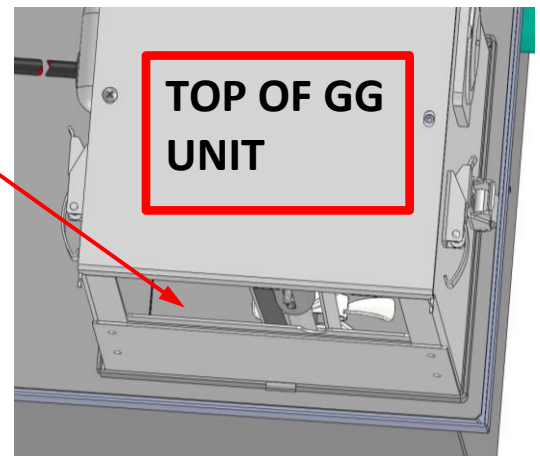
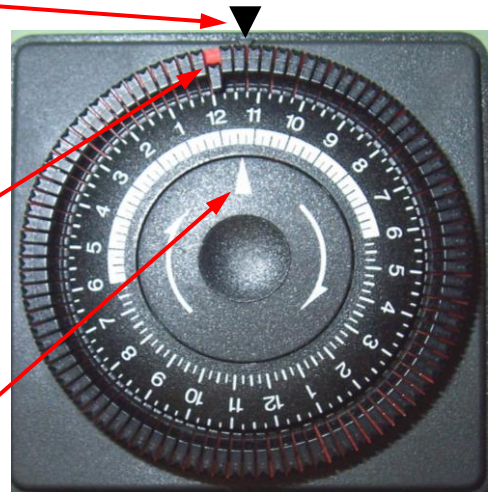
At "Start-Up" first determine if there is solid grease, fats, oils or any other substance that may solidify inside the interceptor. Even if there are solid substances, the warm water entering the interceptor may suffice in keeping these liquefied. To determine if there is solidified material "floating" on the surface of the interceptor water, remove the grease collection bucket from the Stainless GG unit on top of the interceptor. Using a flash light, look down through the GG port to the water for solidified layers. The GG unit, the extra GG port and the solids interceptor bucket, can be removed for this as well. If there are no solids present, set the timer for (1) 15 minute minimum operation of the heater. To set the timer, push only (1) segment of the dial toward the center as shown so that the orange color can be seen. This "minimum" 15 minute operation will help keep the heater free of solidified substances. If the grease does not liquefy after the first operation, push another switch section for a (30) minute heater operation. Carefully monitor the grease layers to determine the amount of time needed to liquefy the grease. The belt motor will operate automatically after the heater dial timer moves past the orange marks.

DIAL TIMER SWITCH OPERATING MARK. THE HEATER WILL BE "ON" WHEN THE ORANGE SWITCH SECTION IS UNDER THIS MARK.

PUSH (1) DIAL TIMER SEGMENT TOWARD CENTER AS SHOWN SO THAT THE ORANGE AREA IS EXPOSED. THIS REPRESENTS (15) MINUTES OF "HEATER" OPERATION.

DIAL TIMER SWITCH "TIME OF DAY" MARK. ROTATE THE DIAL CLOCKWISE UNTIL THE TIME OF THE DAY IS LINED UP WITH THIS "WHITE" MARK. THIS DIAL TIMER WILL BEGIN TO OPERATE WHEN THE GRD UNIT IS CONNECTED TO POWER.

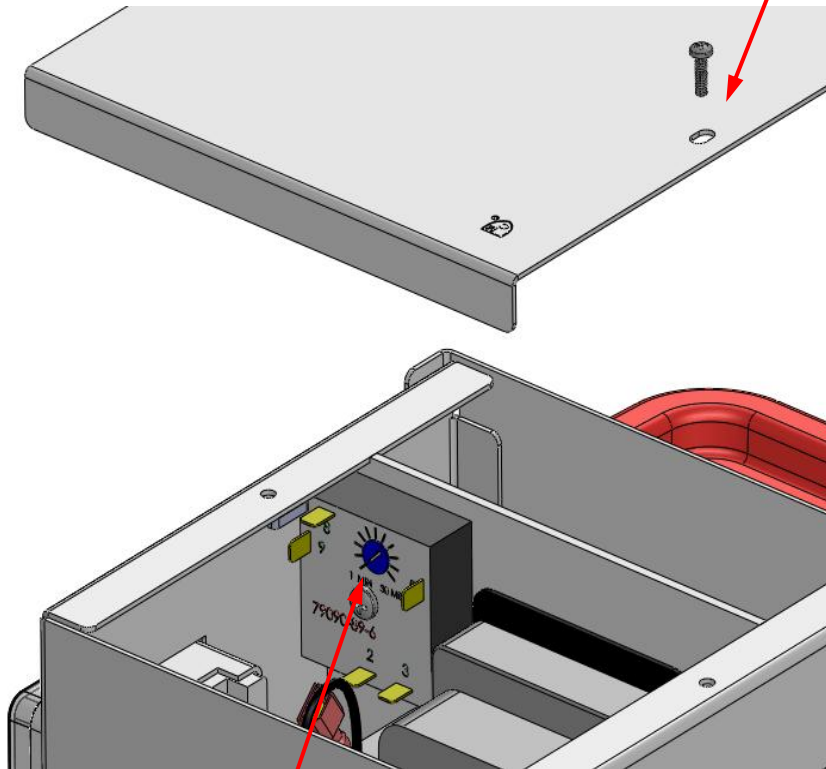
TO CHECK THE INTERCEPTOR FOR SOLID GREASE OR FATS, REMOVE THE BUCKET FROM THE SIDE OF THE GG UNIT. USING A FLASHLIGHT, LOOK DOWN THRU THE GG OPENING TO DETERMINE IF THE LIQUID SURFACE HAS SOLID GREASE OR FATS, FLOATING ON TOP OF THE WATER SURFACE.



GRD II OPERATIONS AND MAINTENANCE MANUAL ACCESSING AND SETTING THE INTERNAL BELT MOTOR TIMER

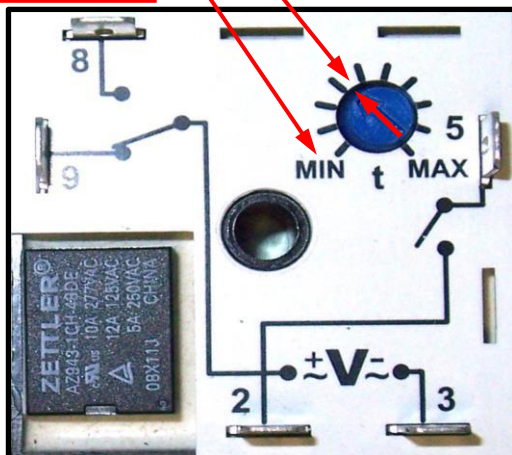
WARNING: TO PREVENT ELECTRICAL SHOCK DISCONNECT POWER BEFORE REMOVING THE COVER AND PERFORMING THIS OPERATION.

TO ACCESS THE INTERNAL TIMER FOR THE BELT MOTOR, REMOVE THE (2) TOP COVER SCREWS. ADJUST TIMER USING A SMALL FLAT HEAD SCREW DRIVER.



SET TIMER HERE
BETWEEN
MARKS 4 AND 5

MARK NO. (1) MIN



INTERNAL TIMER FOR THE BELT MOTOR. THIS TIMER IS FACTORY SET FOR APPROXIMATE 12 MINUTES. OBSERVE THE BUCKET FILL RATE AND RE-SET AS NEEDED
ALLOW APPROXIMATELY 3.50 MINUTES PER MARK. FOR ONE BUCKET FILL, SET BETWEEN MARK NO. 4 AND 5 WITH THE FIRST MARK BEING ZERO (MIN).



GRD II OPERATIONS AND MAINTENANCE MANUAL

INTERNAL BUCKET

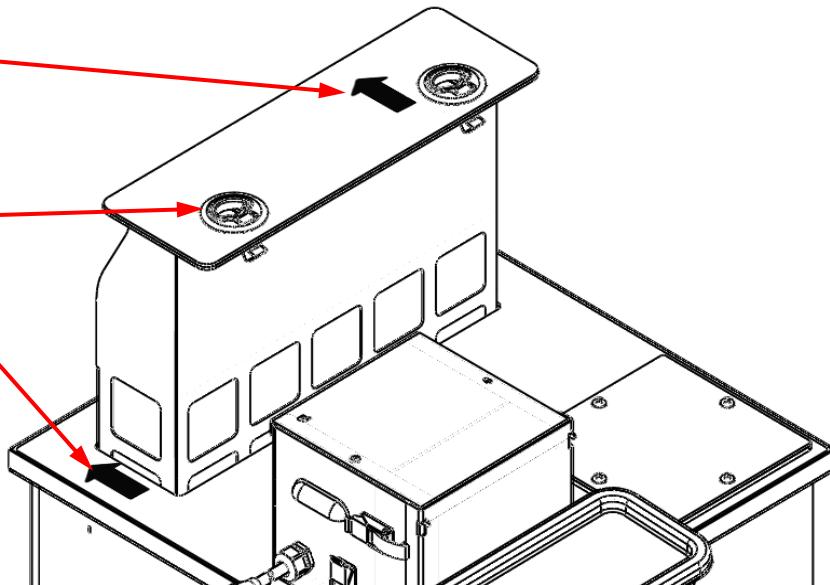
INSTALLATION OF THE INTERNAL BUCKET:

The GRD II Internal Bucket is inserted through the top of the interceptor cover. During installation, allow space above the interceptor for the removal of this bucket. Install the bucket in the direction of the arrow labels on both the bucket and the interceptor. To remove bucket, lift up handle loops to release the snap latches and using the loops, pull the bucket upward. Allow excess liquid to drain into the interceptor before complete bucket removal.

BUCKET ARROW. MOUNT WITH THIS ARROW TOWARD THE INLET SIDE OF THE INTERCEPTOR.

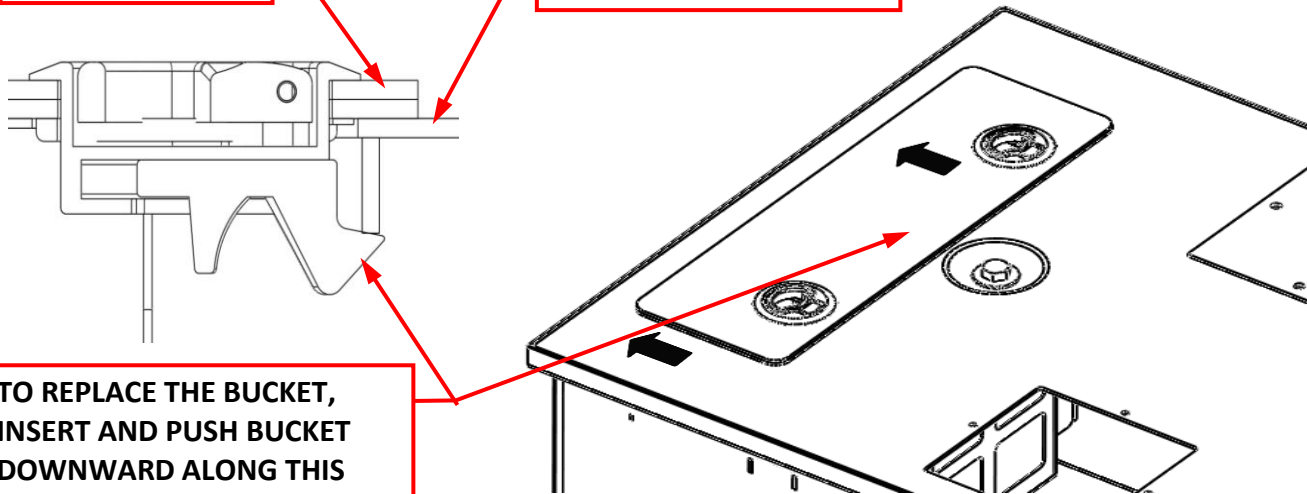
BUCKET HANDLE LOOPS

INTERCEPTOR ARROW



BUCKET COVER

INTERCEPTOR COVER



TO REPLACE THE BUCKET, INSERT AND PUSH BUCKET DOWNWARD ALONG THIS AREA, UNTIL BOTH LATCHES "SNAP" CLOSED.



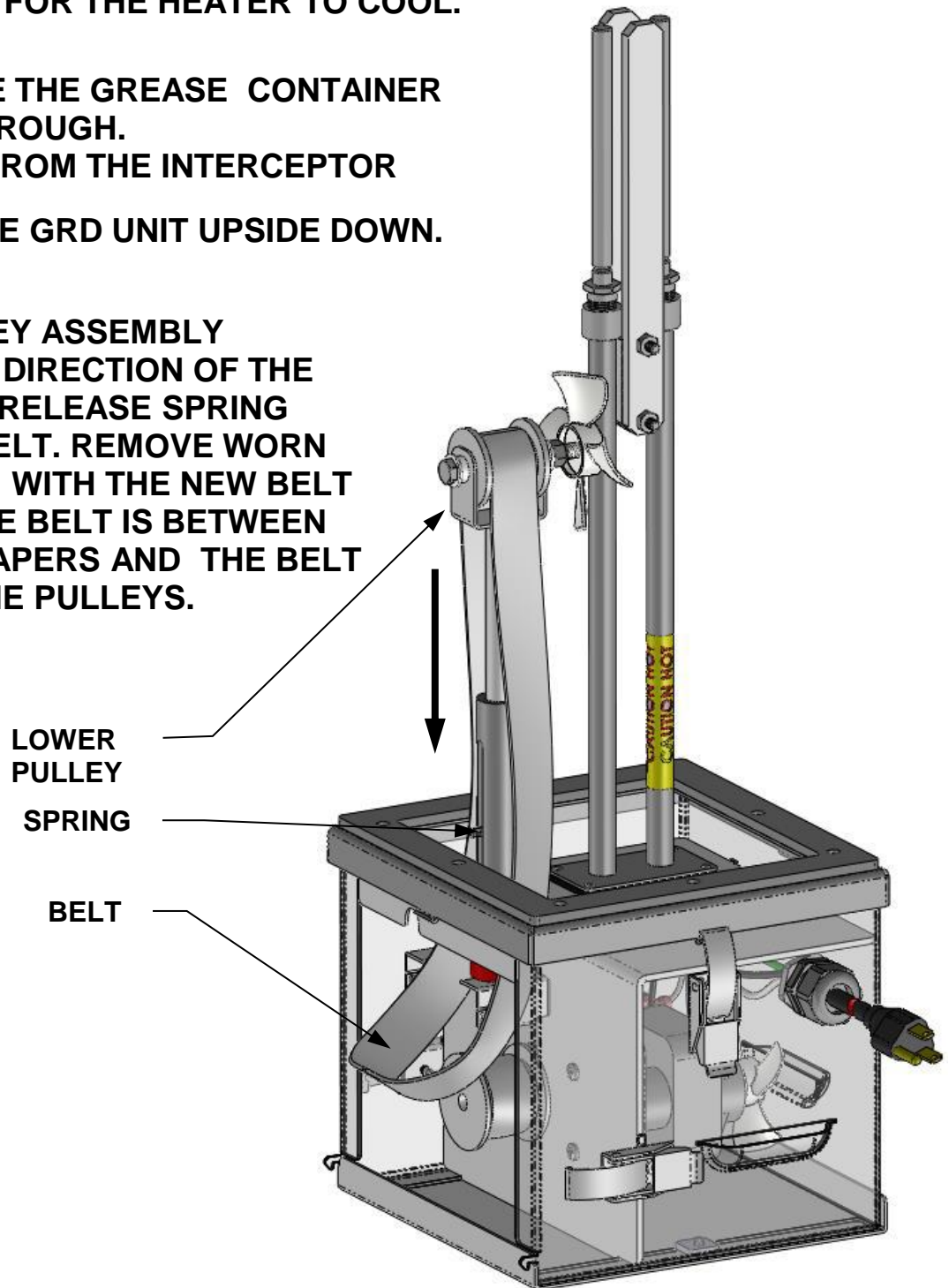
GRD II OPERATIONS AND MAINTENANCE MANUAL BELT REPLACEMENT.

**STEP ONE: DISCONNECT FROM POWER AND
ALLOW 30 MINUTES FOR THE HEATER TO COOL.**

**STEP TWO: REMOVE THE GREASE CONTAINER
AND THE GREASE TROUGH.
REMOVE THE GRD FROM THE INTERCEPTOR**

STEP THREE: TIP THE GRD UNIT UPSIDE DOWN.

**STEP FOUR:
PUSH LOWER PULLEY ASSEMBLY
DOWNWARD IN THE DIRECTION OF THE
ARROW SHOWN TO RELEASE SPRING
PRESSURE FROM BELT. REMOVE WORN
BELT AND REPLACE WITH THE NEW BELT
CHECKING THAT THE BELT IS BETWEEN
THE (2) NYLON SCRAPERS AND THE BELT
IS CENTERED ON THE PULLEYS.**

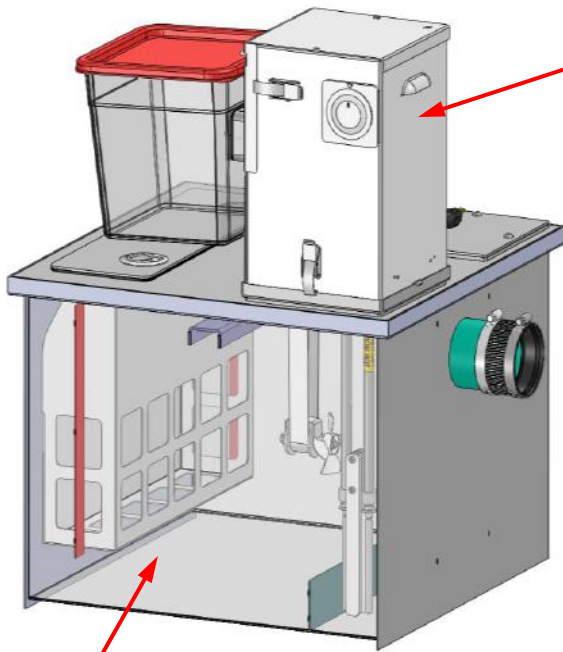




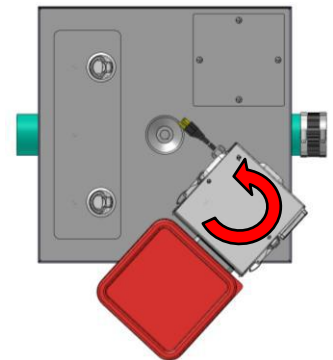
GRD II OPERATIONS AND MAINTENANCE MANUAL GG UNIT ROTATION

WARNING: TO PREVENT ELECTRICAL SHOCK DISCONNECT POWER BEFORE REMOVING THE COVER AND PERFORMING THIS OPERATION. HEATERS ARE VERY HOT. ALLOW HEATERS 30 MINUTES TO COOL, WHILE STILL SUBMERGED IN THE WATER, BEFORE REMOVING OR HANDLING THE GG UNIT.

THE GG UNIT CAN BE PLACED ON EITHER SIDE OF THE INTERCEPTOR. SIMPLY REMOVE THE GG UNIT AND AUX COVER AND EXCHANGE THEM AS SHOWN. THE AUX COVER FITS OVER EITHER HOLE AND THE GG UNIT FITS INTO EITHER HOLE. ROTATE THE GG UNIT AS NEEDED SO THAT THE TIMER IS FACING THE OPERATOR.

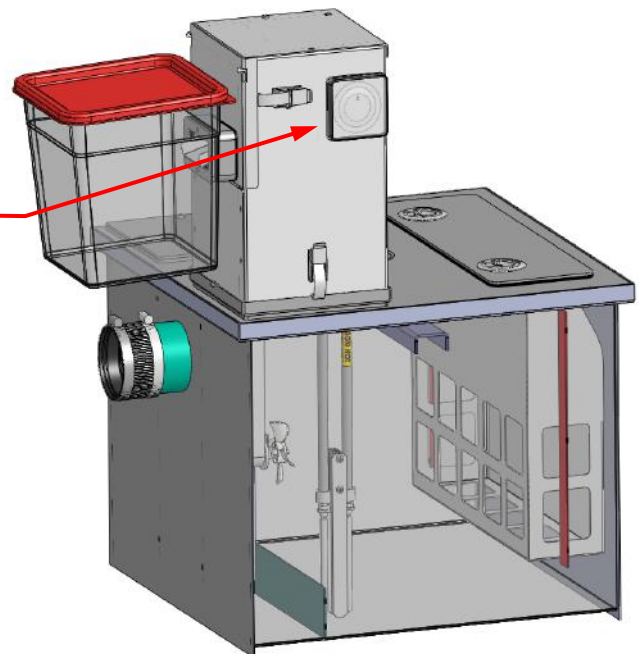
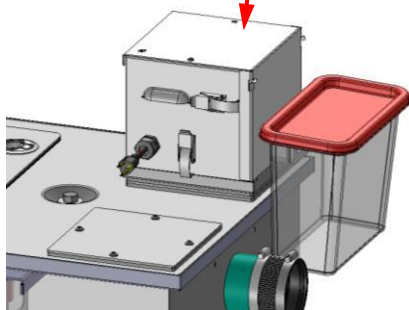


BODY SHOWN
TRANSPARENT FOR
CLARITY.



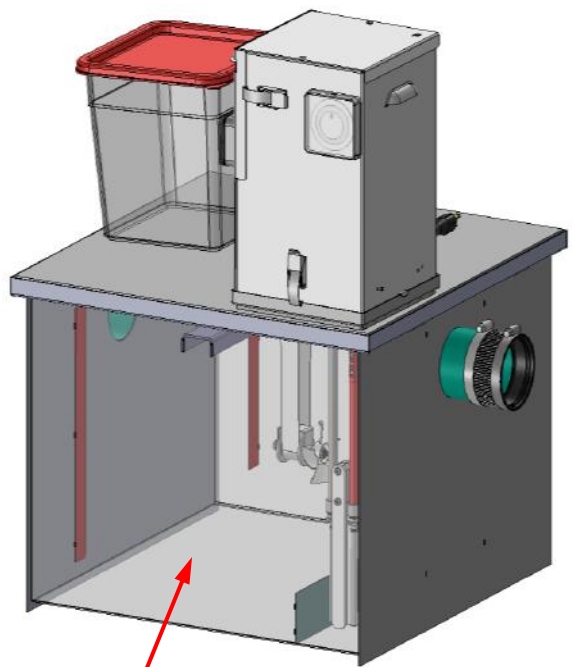
8175GG
SHOWN

GG UNIT ROTATED SO THAT
THE TIMER IS FACING THE
OPERATOR.

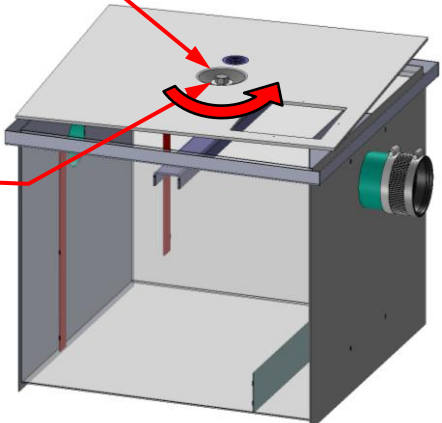


GRD I OPERATIONS AND MAINTENANCE MANUAL GG UNIT ROTATION

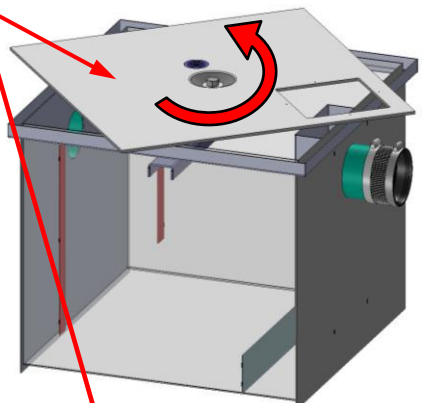
WARNING: TO PREVENT ELECTRICAL SHOCK DISCONNECT POWER BEFORE REMOVING THE COVER AND PERFORMING THIS OPERATION. HEATERS ARE VERY HOT. ALLOW HEATERS 30 MINUTES TO COOL, WHILE STILL SUBMERGED IN THE WATER, BEFORE REMOVING OR HANDLING THE GG UNIT.



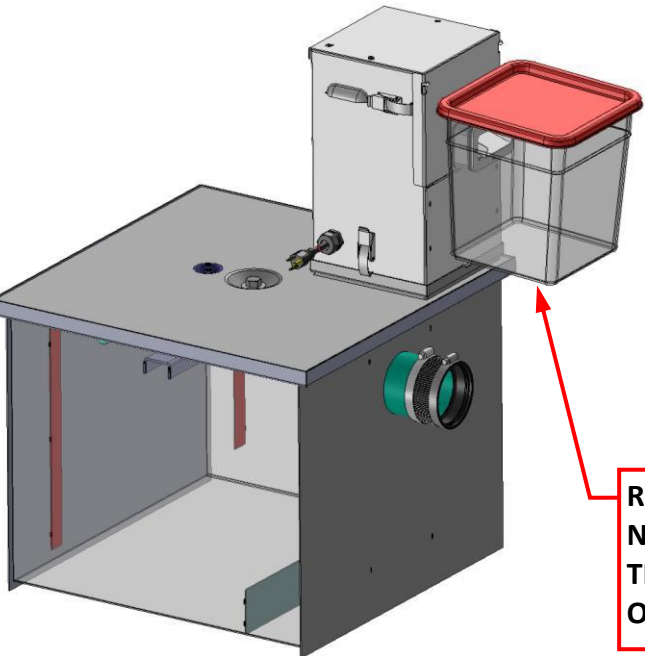
THE GG UNIT CAN BE PLACED ON EITHER SIDE OF THE INTERCEPTOR. SIMPLY REMOVE THE GG UNIT.



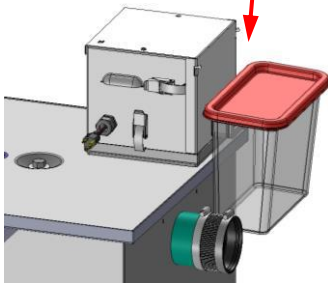
TURN AND LOOSEN, BUT DO NOT REMOVE, THE COVER SCREW COUNTERCLOCKWISE AND LIFT THE COVER UPWARDS.



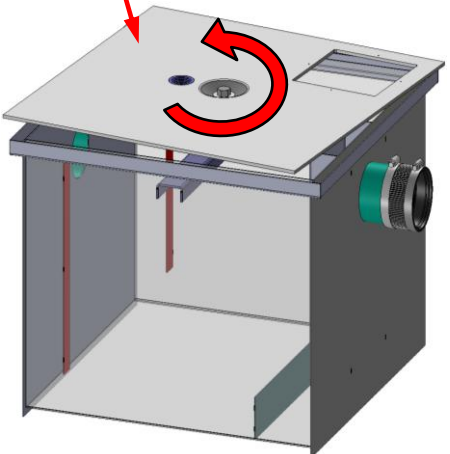
LIFT AND ROTATE THE COVER AS SHOWN 90 DEGREES.



BODY SHOWN TRANSPARENT FOR CLARITY.



8175GG SHOWN



ROTATE THE GG UNIT AS NEEDED SO THAT THE TIMER IS FACING THE OPERATOR.

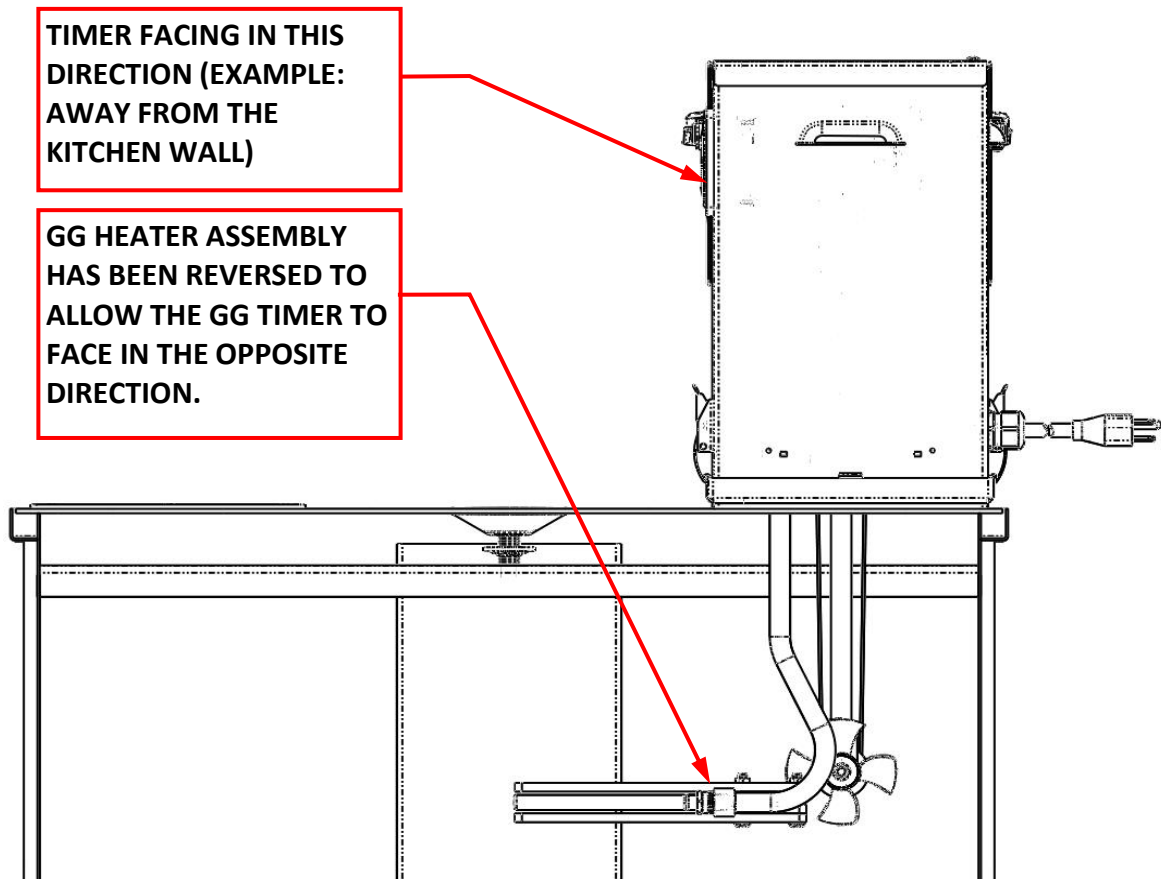


GRD II OPERATIONS AND MAINTENANCE MANUAL SPECIAL HEATER PLACEMENT

DATE: 12-17-2012:

REVERSE HEATER PLACEMENT:

The GG heater can be repositioned to allow additional placements on the top of the interceptor. (8175GG and 8176GG only)





**8165-8166-8175-8176 Grease+Gard®
Grease Recovery Device (GRD II)**

GRD II OPERATIONS AND MAINTENANCE MANUAL GGRPK REPLACEMENT PARTS KITS.

GRD II REPLACEMENT PARTS List:

- 1. GGRPK-1: SMITH P/N 77343-89-60-400 40" Long belt for the 8165GG and 8166GG**
- 2. GGRPK-2: SMITH P/N 77343-89-60-029 29" Long belt for the 8175GG and 8176GG**
- 3. GGRPK-3: SMITH P/N 77345-89-6 Replacement Motor Fan Blade.**
- 4. GGRPK-4: SMITH P/N 77277-49-6 Replacement Agitator Blade.**
- 5. GGRPK-5: SMITH P/N 77300-89-6 Replacement Heater Cartridge.**
- 6. GGRPK-6: SMITH P/N 77285-89-6 Replacement Transparent Timer Cover.**
- 7. GGRPK-7: SMITH P/N 79090-89-6 Replacement Internal Timer.**
- 8. GGRPK-8: SMITH P/N 77288-89-6 Replacement external Timer.**
- 9. GGRPK-9: SMITH P/N 77301-89-61 Replacement Motor (2 Amp).**