

DRAWING NUMBER
SDX1902

SIZE
A

SCALE:
NONE

DATE:
3-17-13

APPROVED BY:
BW

CHECKED BY:
BW

DRAWN BY:
TBW

DX1902

FIGURE NUMBER

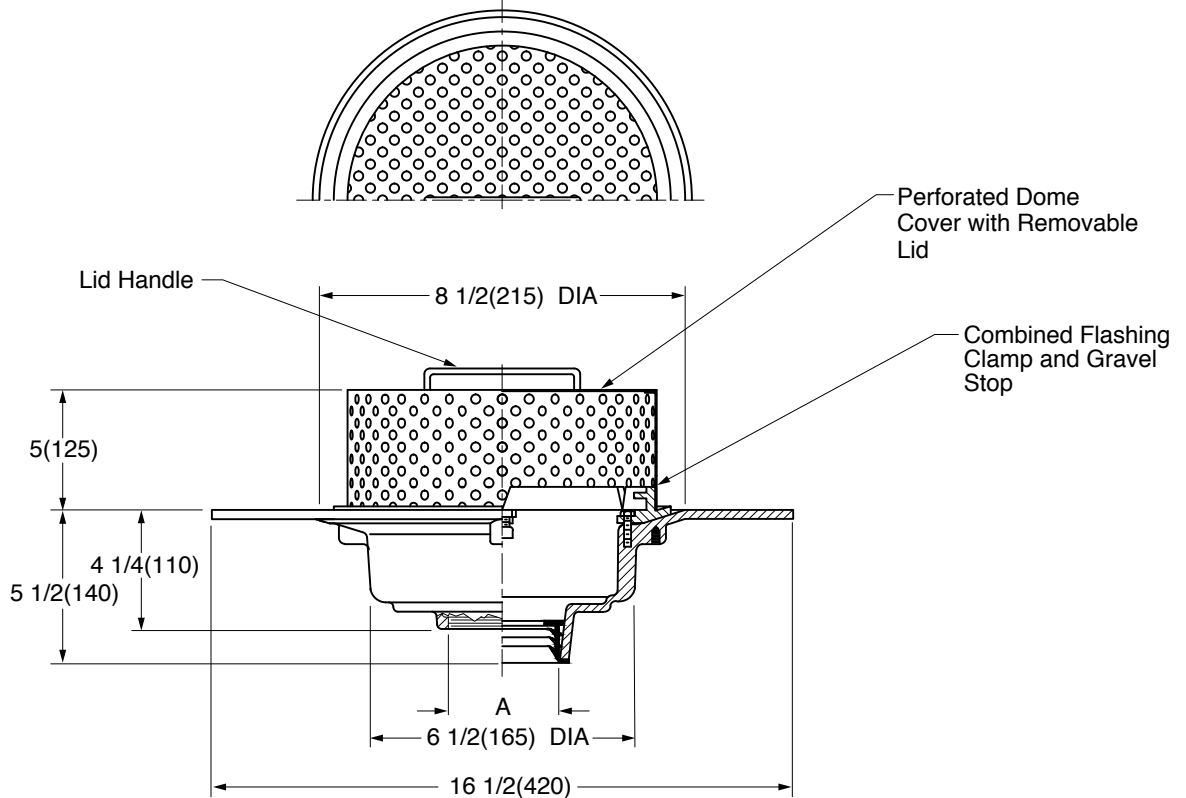
WE CAN ASSUME NO RESPONSIBILITY FOR USE OF SUPERSEDED OR VOID DATA

DIMENSIONS ARE SUBJECT TO MANUFACTURERS TOLERANCE AND CHANGE WITHOUT NOTICE

SPECIAL PURPOSE PLANTER DRAIN

LOW PROFILE PERFORATED DOME WITH REMOVABLE LID

FUNCTION: Used as a roof/planter drain. Low profile perforated dome cover allows ample free area for high volume drainage. Dome has removable lid with handle for inspecting and cleaning out drain sump. Wide flange on body allows for the adherence of a liquid applied waterproofing membrane.



- Fig. DX1902Y..... NO HUB OUTLET
- Fig. DX1902C CAULK OUTLET

REGULARLY FURNISHED:

Duco Cast Iron Wide Flange body,
 Combined Flashing Clamp and Gravel
 Stop with Perforated Stainless Steel
 Dome Cover with Removable Lid.

OPTIONAL MATERIALS:

- L Speedi-Set Service Weight
 Outlet Conn. (02, 03,
 and 04 Sizes Only)
- LXH Speedi-Set Extra Heavy
 Duty Outlet Conn. (02, 03,
 and 04 Sizes Only)
- T Threaded Outlet Conn.
 Extension (Specify Height) -E
 Secondary Flashing Clamp -C2
 Vandal Proof Dome Cover -U

VARIATIONS:

- Galvanized Cast Iron Body &
 Collar -G

NOTE: Dimensions shown in
 parentheses are in millimeters.

REV.	DATE	DESCRIPTION	BY	CKD. BY	WEIGHT POUNDS	VOLUME CUBIC FEET	FIGURE NUMBER DX1902
------	------	-------------	----	---------	------------------	----------------------	--------------------------------