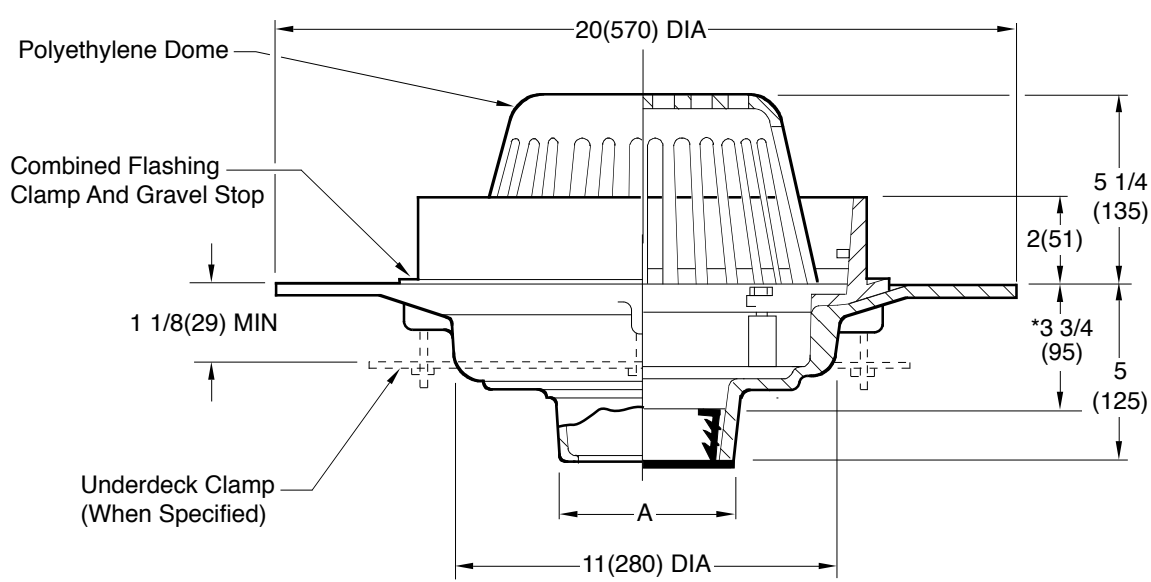


SPECIAL PURPOSE ROOF DRAINS

WATER COLLAR TYPE

FUNCTION: Used in flat roofs of any construction where a constant height of water is desired on the roof. It may also be used as an emergency overflow for conventional roofs, draining rain water when the depth of the water on the roof reaches the water dam height. It is utilized with a liquid membrane waterproofing.



A (Pipe Size) = 02(50), 03(75), 04(100), 05(125), 06(150) or 08(200)

*This dimension to internal stop of Speedi-Set Gasket

- Fig. DX1080C CAULK OUTLET
- Fig. DX1080Y NO-HUB OUTLET

REGULARLY FURNISHED:

Duco Cast Iron Body with Wide Flange, Combined Flashing Clamp and Water Dam with Polyethylene Dome.

VARIATIONS:

- Expansion Joint (Specify Fig. 1710)
- Extension (Specify Height) -E
- "L" Shaped Underdeck Clamp -CL
- 2 1/2(64), 3(75) or 4"(100) Water Dams Available -WDL
- Speedi-Set Service Weight 02(50), 03(75) & 04"(100) sizes only
- LXH Speedi-Set Extra Heavy 02(50), 03(75) & 04"(100) sizes only
- Secondary Flashing Clamp -C2
- Underdeck Clamp -C

OPTIONAL MATERIALS:

- ▲ Aluminum Dome -AD
- ▲ Cast Iron Dome -CID
- ▲ Galvanized Cast Iron -G
- ▲ Rough Bronze Dome -RBD

▲Optional domes' free area are as follows:

Aluminum	98 (632)
Cast Iron	80 (516)
Bronze	95 (613)

NOTE: Recommended deck opening 14 3/4"(375)

NOTE: Dimensions shown in parentheses are in millimeters

DX1080

FIGURE NUMBER

D C B A	7-30-19 12-16-15 06/04/09 5-19-95	Removed NOTE Added Flow Rate Note Added Optional Dome Notes Added millimeters	MW TBW JJ CMB	CL BW CL BS	WEIGHT POUNDS	VOLUME CUBIC FEET
REV.	DATE	DESCRIPTION	BY	CKD. BY		

**FIGURE NUMBER
DX1080**

WE CAN ASSUME NO RESPONSIBILITY FOR USE OF SUPERSEDED OR VOID DATA

DRAWING NUMBER
SDX1080

SIZE
A

SCALE:
NONE

DATE:
2-2-87

APPROVED BY:
JD

CHECKED BY:
VGD

DRAWN BY:
WAS

DIMENSIONS ARE SUBJECT TO MANUFACTURERS TOLERANCE AND CHANGE WITHOUT NOTICE