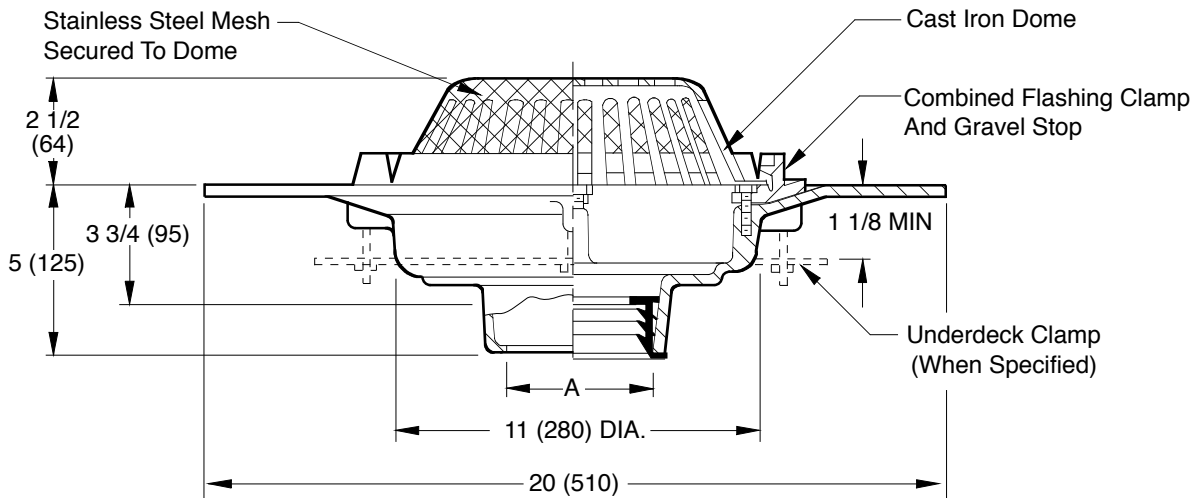


## LARGE GENERAL PURPOSE ROOF DRAIN

### LOW PROFILE DOME

**FUNCTION:** For use in promenade roof deck and rooftop recreational areas where traffic bearing roof deck covering is to be applied. Drain body sump is protected from leaves, paper and other debris by low profile mesh covered dome.



A (Pipe Size) = 02(50), 03(75), 04(100) 05(125) or 06(150)

- Fig. DX1010C-LPDM . . . .CAULK OUTLET
- Fig. DX1010Y-LPDM . . . .NO-HUB OUTLET

**REGULARLY FURNISHED:**

Duco Cast Iron Body with Combined Flashing Clamp and Gravel Stop with Cast Iron Low Profile Dome with Stainless Steel Mesh over Dome.

**VARIATIONS:**

- Expansion Joint (Specify Fig. 1710)
- Extension (Specify Height) -E
- "L" Shaped Underdeck Clamp -CL
- L Speedi-Set Service Weight  
02(50), 03(75), & 04"(100) sizes only
- LXH Speedi-Set Extra Heavy  
02(50), 03(75), & 04"(100) sizes only
- NO-HUB Adaptor (Fig. 1020 only)
- Underdeck Clamp -C
- Secondary Flashing Clamp -C2
- Vandal Proof Dome -UT
- Threaded Outlet

**OPTIONAL MATERIALS:**

- Galvanized Cast Iron -G

**NOTE:** Dimensions shown in parentheses are in millimeters.

DRAWING NUMBER  
**SDX1010-LPDM**

SIZE  
**A**

SCALE:  
**NONE**

DATE:  
**4-8-08**

APPROVED BY:  
**BW**

CHECKED BY:  
**BW**

DRAWN BY:  
**TBW**

**DX1010-LPDM**

WE CAN ASSUME NO RESPONSIBILITY FOR USE OF SUPERSEDED OR VOID DATA

FIGURE NUMBER	<b>B</b>	7-30-19	Removed NOTE Added Flow Rate Note	MW	CL	WEIGHT POUNDS	VOLUME CUBIC FEET	FIGURE NUMBER
A	12-15-15			TBW	BW			<b>DX1010-LPDM</b>
REV.	DATE	DESCRIPTION		BY	CKD. BY			