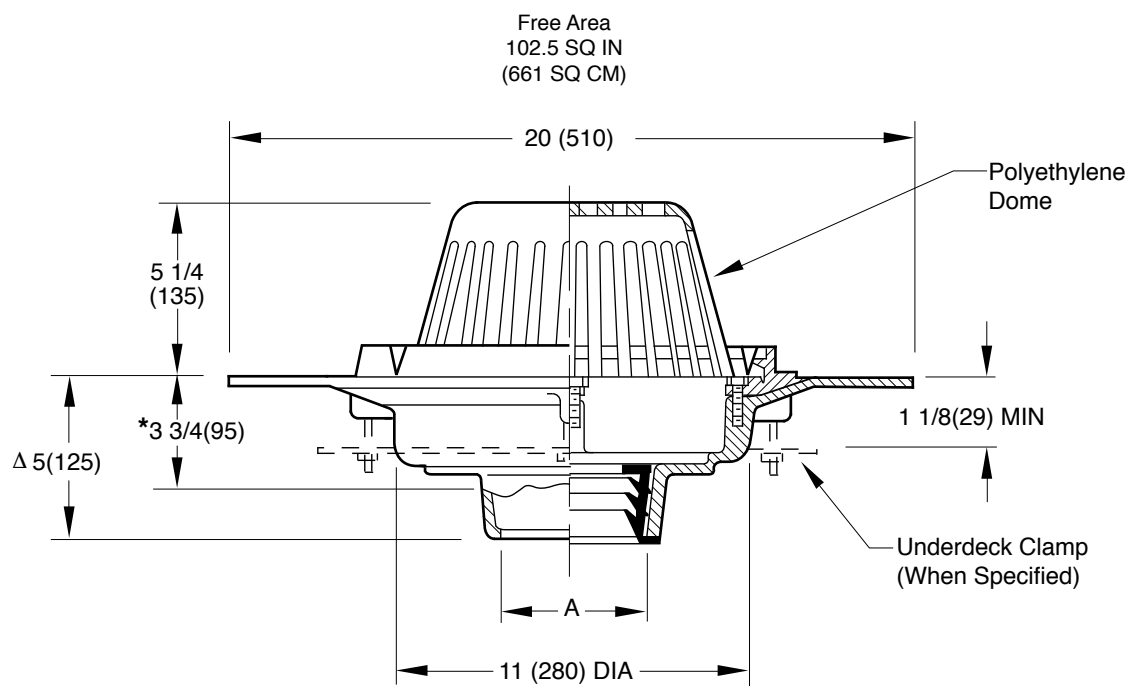


GENERAL PURPOSE ROOF DRAINS

WIDE FLANGE BODY WITH SECURED DOME

FUNCTION: For use in promenade roof deck and rooftop recreational areas where traffic bearing roof deck covering is to be applied. Drain body sump is protected from leaves, paper and other debris by large secured dome.



*This Dimension to Internal Stop of Speedi-Set Gasket.

A (Pipe Size) = 02(50),03(75),04(100),05(125) or 06(150)

- Fig. DX1010C CAULK OUTLET
- Fig. DX1010Y NO-HUB OUTLET

REGULARLY FURNISHED:
 Duco Cast Iron Wide Flange Body with Combined Flashing Clamp and Gravel Stop with Polyethylene Dome.

Δ Same for Caulk, NO-HUB and Speedi-Set. 3 3/4(95) for Threaded
 NOTE: Recommended deck opening 14(355) DIA.

NOTE: Dimensions shown in parentheses are in millimeters.

VARIATIONS:

- "L" Shaped Underdeck Clamp -CL
- L Speedi-Set Service Weight 02(50), 03(75) & 04"(100) sizes only
- LXH Speedi-Set Extra Heavy 02(50), 03(75) & 04"(100) sizes only
- Securing Holes -SH
- Underdeck Clamp -C
- Vandal Proof Dome -U
- T Threaded Outlet

OPTIONAL MATERIALS:

- ▲ Aluminum Dome -AD
- ▲ Cast Iron Dome -CID
- ▲ Galvanized Cast Iron Dome -CIDG
- Galvanized Cast Iron Body and Collar -G
- ▲ Rough Bronze Dome -RBD

▲ **Optional domes' free area are as follows:**

Aluminum	98 (632)
Cast Iron	80 (516)
Bronze	95 (613)

DRAWING NUMBER: SDX1010
 SIZE: A
 SCALE: NONE
 DATE: 8-10-06
 APPROVED BY: CL
 CHECKED BY: CL
 DRAWN BY: TBW
DX1010
 DIMENSIONS ARE SUBJECT TO MANUFACTURERS TOLERANCE AND CHANGE WITHOUT NOTICE
 WE CAN ASSUME NO RESPONSIBILITY FOR USE OF SUPERSEDED OR VOID DATA

FIGURE NUMBER	C B A	7-30-19 12-2-15 06/01/09	Removed NOTE Added Flow Rate Note Added Optional Dome Notes	MW TBW JJ	CL BW CL	WEIGHT POUNDS	VOLUME CUBIC FEET	FIGURE NUMBER DX1010
	REV.	DATE	DESCRIPTION	BY	CKD. BY			