



**JAY R. SMITH MFG. CO.**  
MEMBER OF MORRIS GROUP INTERNATIONAL

# DOWNSPOUT NOZZLES AND COVERS

A PART OF OUR CONTRACTOR LABOR SAVING PRODUCT LINE



**FIGURE NO. 1770T**

**NICKEL BRONZE FINISH**



**FIGURE NO. 1775**

**STAINLESS STEEL FINISH**



**FIGURE NO. 1771**

**POLISHED BRONZE FINISH**



*Downspout nozzles and covers by Jay R. Smith Mfg. Co. are a part of our Contractor Labor Saving Product Line. These products are designed with the installer in mind. They are designed to save time, require less manpower, and make the contractor's job easier.*

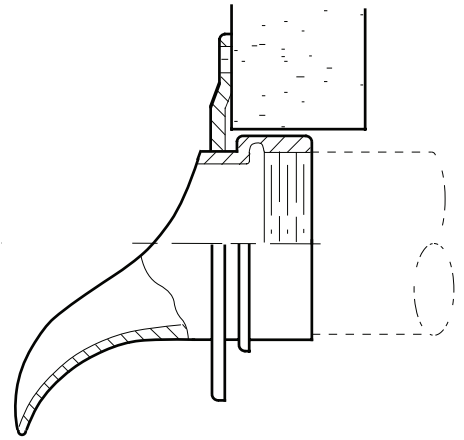
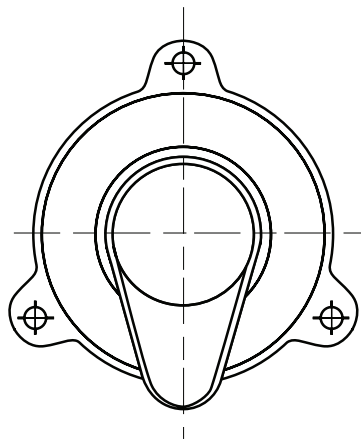


# DOWNSPOUT NOZZLES AND COVERS

THE DOWNSPOUT NOZZLE IS USED AS A PARAPET OVERFLOW OR AT THE BASE OF A WALL WHERE A CONCEALED LEADER DISCHARGES RAINWATER TO THE EXTERIOR.

## PRODUCT FEATURES

- Nozzle design diverts water away from building, eliminating wall stains.
- Aesthetically blends with building construction
- No sharp edges like other materials
- Nozzles are considered ornamental
- Wall flange covers rough opening
- Figure # 1770 - Available in threaded and no-hub connections
- Figure # 1771 - Slip on connection with set screws
- Figure # 1775 - Used as a downspout cover to conceal overflow leader



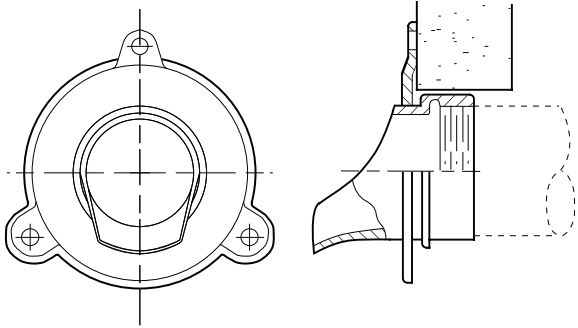
**FUNCTION:** Used as a parapet overflow or at the base of a wall where a concealed leader discharges rainwater to exterior. Nozzle design diverts water away from building, eliminating wall stains. Wall flange covers rough opening.

NO-HUB CONNECTION AND ROUGH BRONZE FINISH ILLUSTRATED.

### FIGURE NO. 1770T/Y

	02 (50)	03 (75)	04 (100)	05 (125)	06T (150)	06Y (150)	08 (200)	10 (255)	12 (305)
<b>A=PIPE</b>	02 (50)	03 (75)	04 (100)	05 (125)	06T (150)	06Y (150)	08 (200)	10 (255)	12 (305)
<b>B=DIA</b>	2 3/4 (70)	4 (100)	5 (125)	6 (150)	7 1/4 (185)	7 1/4 (185)	9 1/4 (235)	11 1/8 (283)	13 1/4 (335)
<b>C=RAD</b>	2 3/4 (70)	3 1/2 (89)	3 7/8 (98)	4 3/8 (111)	5 (125)	5 (125)	5 7/8 (149)	7 1/4 (185)	8 (205)
<b>D</b>	1 3/8 (35)	1 3/8 (35)	1 3/8 (35)	1 3/8 (35)	1 3/8 (35)	1 13/16 (46)	1 5/8 (41)	1 3/4 (44)	2 (51)
<b>E</b>	2 1/16 (52)	2 1/16 (52)	2 1/16 (52)	2 1/16 (52)	2 1/16 (52)	2 1/2 (64)	2 3/8 (60)	2 3/4 (70)	2 15/16 (75)
<b>F</b>	5 5/8 (143)	5 5/8 (143)	5 5/8 (143)	5 5/8 (143)	5 5/8 (143)	6 1/4 (160)	5 15/16 (149)	5 3/8 (138)	7 9/16 (192)

Note: Dimensions shown in parentheses are in millimeters.



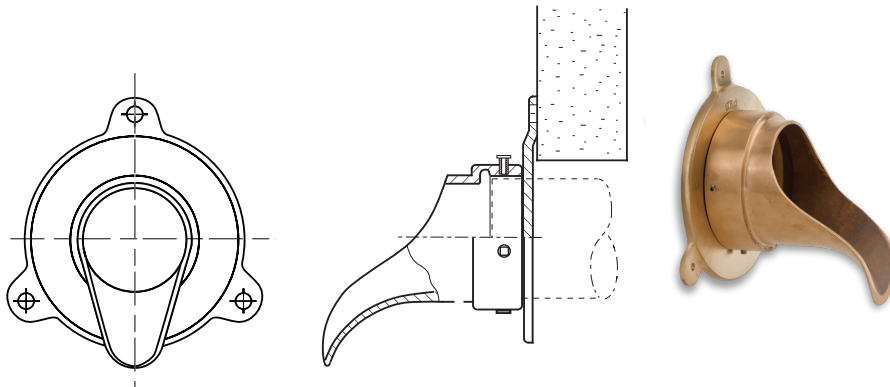
**COMPLIES WITH ADA MINIMUM REQUIREMENTS FOR PROTRUSIONS ALONG WALKWAYS.**

**FUNCTION:** Used as a parapet overflow or at the base of a wall where a concealed leader discharges rainwater to exterior. Nozzle design diverts water away from building, eliminating wall stains. Wall flange covers rough opening.

**FIGURE NO. 1770T/Y - ADA**

<b>A=PIPE</b>	02 (50)	03 (75)	04 (100)	05 (125)	06T (150)	06Y (150)	08 (200)	10 (255)	12 (305)
<b>B=DIA</b>	2 3/4 (70)	4 (100)	5 (125)	6 (150)	7 1/4 (185)	7 1/4 (185)	9 1/4 (235)	11 1/8 (283)	13 1/4 (335)
<b>C=RAD</b>	2 3/4 (70)	3 1/2 (89)	3 7/8 (98)	4 3/8 (111)	5 (125)	5 (125)	5 7/8 (149)	7 1/4 (185)	8 (205)
<b>D</b>	1 3/8 (35)	1 3/8 (35)	1 3/8 (35)	1 3/8 (35)	1 3/8 (35)	1 13/16 (46)	1 5/8 (41)	1 3/4 (44)	2 (51)
<b>E</b>	2 1/16 (52)	2 1/16 (52)	2 1/16 (52)	2 1/16 (52)	2 1/16 (52)	2 1/2 (64)	2 3/8 (60)	2 3/4 (70)	2 15/16 (75)
<b>F</b>	4 7/8 (124)	4 7/8 (124)	4 7/8 (124)	4 7/8 (124)	4 7/8 (124)	5 5/16 (135)	5 1/8 (130)	5 1/4 (133)	5 1/2 (140)

Note: Dimensions shown in parentheses are in millimeters.



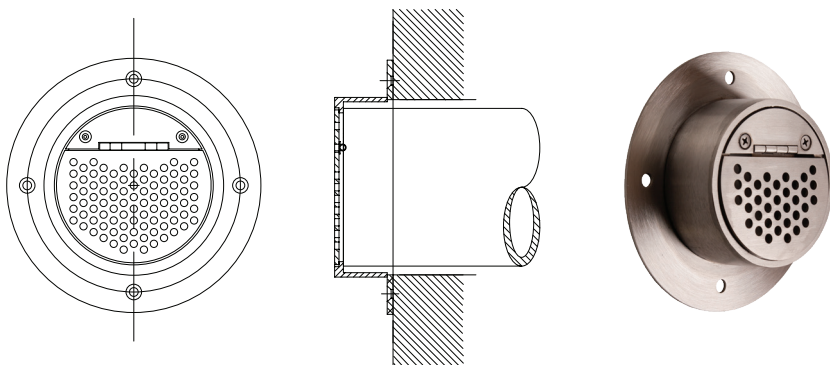
**SLIDES OVER PVC AND NO-HUB PIPE AND SECURED WITH SET-SCREWS.**

**FUNCTION:** Used as a parapet overflow or at the base of a wall where a concealed leader discharges rainwater to exterior. Nozzle design diverts water away from building, eliminating wall stains. Wall flange covers rough opening.

**FIGURE NO. 1771**

<b>A=PIPE</b>	02 (50)	03 (75)	04 (100)	05 (125)	06 (150)	08 (200)	10 (255)	12 (305)
<b>B=DIA</b>	2 3/4 (70)	4 (100)	5 (125)	6 (150)	7 1/4 (185)	9 1/4 (235)	11 1/8 (283)	13 1/4 (335)
<b>C=RAD</b>	2 3/4 (70)	3 1/2 (89)	3 7/8 (98)	4 3/8 (111)	5 (125)	5 7/8 (149)	7 1/4 (185)	8 (205)

Note: Dimensions shown in parentheses are in millimeters.



**ALL STAINLESS STEEL FLANGE AND PERFORATED HINGED COVER.**

**FUNCTION:** Used as a downspout cover on a wall where an overflow roof drain concealed leader discharges rainwater to the exterior.

**FIGURE NO. 1775**

<b>A=PIPE</b>	0150 (38)	02 (50)	03 (75)	04 (100)	05 (125)	06 (150)	08 (200)	10 (250)	12 (305)	15 (380)
<b>B=DIA</b>	3 1/2 (89)	3 1/2 (89)	3 1/2 (89)	4 9/16 (116)	5 5/8 (143)	6 11/16 (169)	8 11/16 (219)	10 13/16 (276)	12 13/16 (335)	16 (405)
<b>C=RAD</b>	4 1/2 (115)	4 1/2 (115)	4 1/2 (115)	5 9/16 (142)	6 5/8 (168)	7 11/16 (194)	9 11/19 (249)	11 13/16 (301)	13 13/16 (351)	16 15/16
<b>D</b>	7 11/16 (194)	7 11/16 (194)	7 11/16 (194)	8 3/4 (220)	9 13/16 (251)	10 7/8 (301)	12 7/8 (328)	15 (380)	17 (430)	20 1/8 (513)
<b>E</b>	6 (150)	6 (150)	6 (150)	7 1/8 (181)	8 1/4 (210)	9 (230)	11 1/4 (285)	13 1/2 (345)	15 1/2 (395)	18 1/2 (470)

Note: Dimensions shown in parentheses are in millimeters.



**JAY R. SMITH MFG. CO.®**  
MEMBER OF MORRIS GROUP INTERNATIONAL

2781 Gunter Park Dr. East • Montgomery, AL 36109-1405 • United States  
Tel 334-277-8520 • [www.jrsmith.com](http://www.jrsmith.com)

## INNOVATIVE SPIRIT AND ENGINEERING FOUNDATION

“What sets us apart from competitors is our engineering and spirit. We have a ‘can-do’ spirit. If you ask us to do something, we will do it or figure out how to do it. That’s the part our customers like, that’s the part we like.”

- Don Morris, President and CEO



**MORRIS GROUP**  
INTERNATIONAL®

BRANDS BUILT TO LAST!™

[morrisingroup.co](http://morrisingroup.co)

SPM 0866  
05/19