

MULTI-PURPOSE FLOOR CLEANOUTS WITH INTERNAL CLOSURE PLUG

WIDE FLANGE CAST IRON FLOOR CLEANOUT

FUNCTION: Used where a waterproof covering is to be applied and a wide area is required for bonding and/or support.

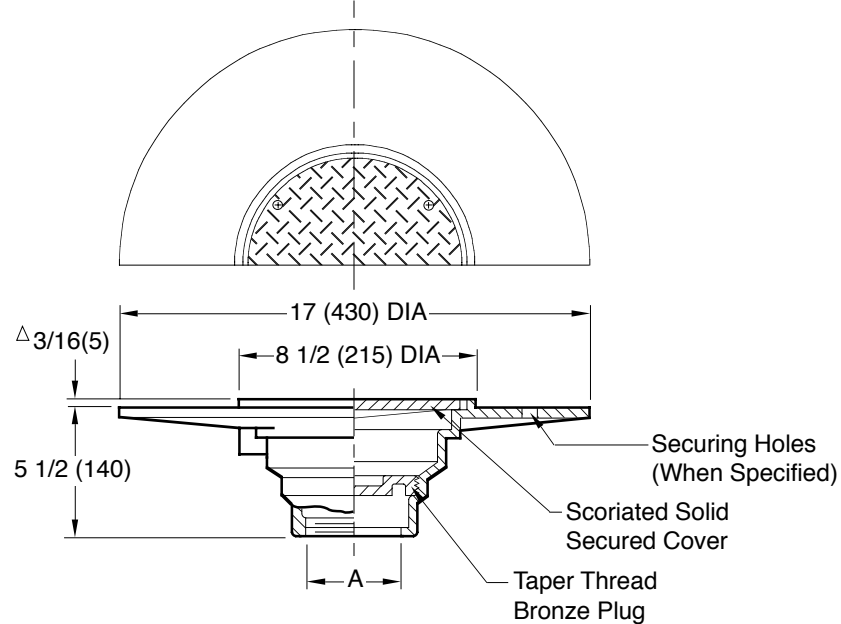


Fig. DX4343C CAULK OUTLET
 A(Pipe Size) = 02(50), 03(80) or 04(100)

If Water-Proof Deck Covering thickness is greater (or less) than dimensions shown, the drain body should be set to compensate for the variation in thickness. Drain body should be set low enough to permit "dimpling" of area surrounding drain.

REGULARLY FURNISHED:
 Duco Cast Iron Body with Solid Secured Cover and Taper Thread Bronze Closure Plug.

VARIATIONS:

- NO-HUB Adaptor (Specify Fig. 2646Y)
- Securing Holes -SH
- T Threaded Outlet

OPTIONAL MATERIALS:

- Nickel Bronze Top -NB
- Polished Bronze Top -PB

ΔAdd 3/16"(5) when bronze top is specified.

NOTE: Dimensions shown in parentheses are in millimeters.

DX4343

DIMENSIONS ARE SUBJECT TO MANUFACTURERS TOLERANCE AND CHANGE WITHOUT NOTICE

DRAWING NUMBER
SDX4343

SIZE
A

SCALE:
NONE

DATE:
2-5-68

APPROVED BY:
JM

CHECKED BY:
JS

DRAWN BY:
DA

FIGURE NUMBER

E	1-9-96	Submittal Update	EMB	BS	WEIGHT POUNDS	VOLUME CUBIC FEET	FIGURE NUMBER DX4343
D	7-26-94	Revised	EMB	BS			
C	8-10-93	Submittal Update	TWK	BS			
B	2-2-83	Revised and Redrawn	CR	BS			
REV.	DATE	DESCRIPTION	BY	CKD. BY			