

A

DRAWING NUMBER  
s9960-LC

SIZE  
A

SCALE:  
NONE

DATE:  
7-17-2019

APPROVED BY:  
PJ

CHECKED BY:  
PJ

DRAWN BY:  
MW

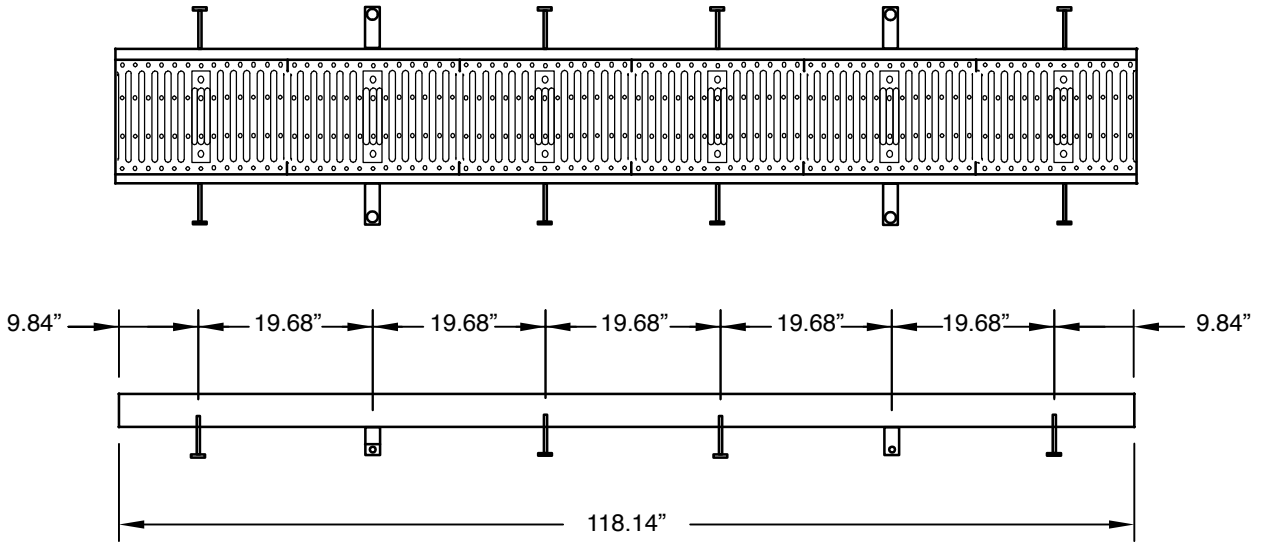
9960-LC

WE CAN ASSUME NO RESPONSIBILITY FOR USE OF SUPERSEDED OR VOID DATA

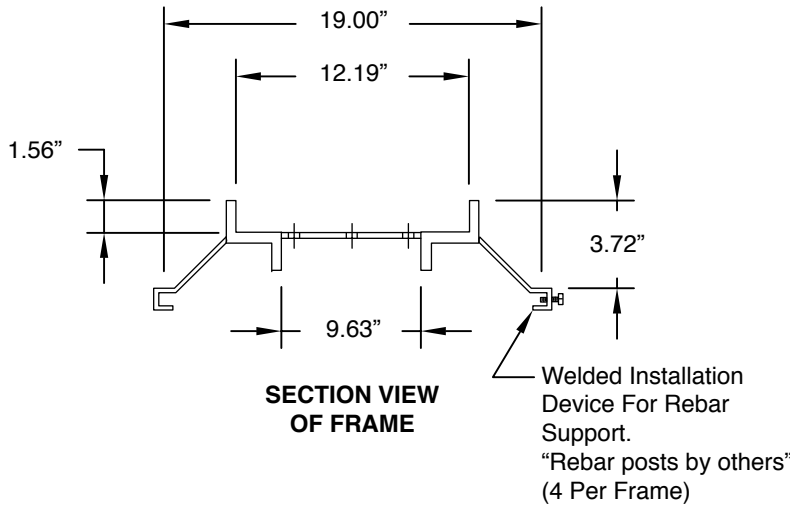
DIMENSIONS ARE SUBJECT TO MANUFACTURERS TOLERANCE AND CHANGE WITHOUT NOTICE

# 9960-LC FRAME AND GRATE SYSTEM

“TOP VIEW CAST IRON SLOTTED GRATE SHOWN”



**VARIATIONS:**



- End Frame
- Heavy Duty, DIN 19580 Class C  
-56,000 lbs -1,162 psi for commercial pneumatic tire traffic patterns, forklifts and tractor trailers.
- 9960-MC Ductile Iron Slotted Grate
- 9960-GM Galvanized Steel Mesh Grate
- 9960-GPHD Galvanized Steel Perforated Grate
- 9960-SSM Stainless Steel Mesh Grate
- 9960-SSP Stainless Steel Perforated Grate
- Extra Heavy Duty, DIN 19580 Class E  
-135,000 lbs -2,788 psi for commercial solid tire traffic pattern forklifts and impacts from steel struts or metal wheels.
- 9960-M Slotted Ductile Iron Grate
- 9960-MADA Ductile Iron ADA Grate

**REGULARLY FURNISHED:**  
 Powder Coated Welded Steel Frame Support System with Concrete Anchors (One Pair Every 18 Inches). Supplied with Secured Specified Grate.

**OPTIONAL FRAME MATERIAL:**

- Stainless Steel (304)
- Galvanized Steel

FIGURE NUMBER

A	2-22-21	Added MC Option	KK	PJ
REV.	DATE	DESCRIPTION	BY	CKD. BY

WEIGHT POUNDS	VOLUME CUBIC FEET	FIGURE NUMBER
		<b>9960-LC</b>