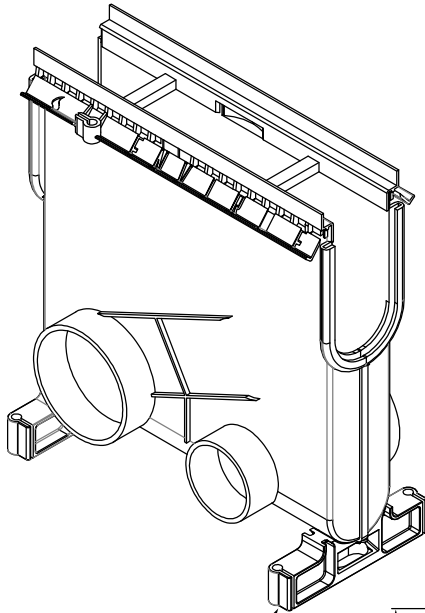


9935 SERIES ENVIRO-FLO® II INLINE CATCH BASIN

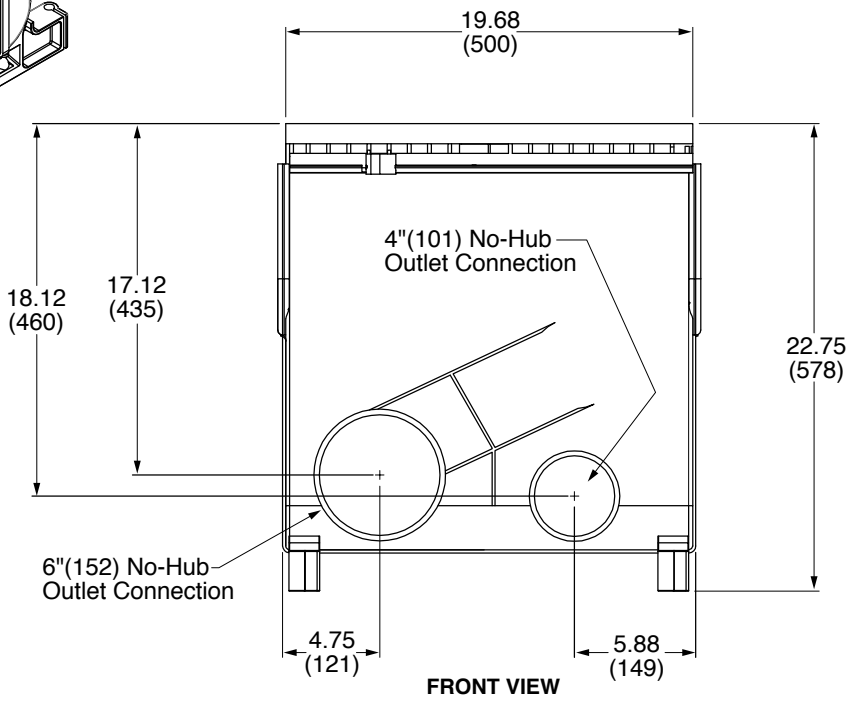
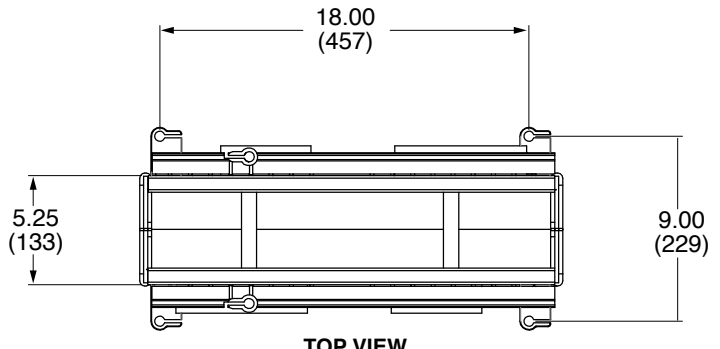
DRAWING NUMBER: **S9935**
 SIZE: **A**
 SCALE: **NONE**
 DATE: **10/01/99**
 APPROVED BY: **PACE**
 CHECKED BY: **PACE**
 DRAWN BY: **JJ**
 FIGURE NUMBER: **9935**

WE CAN ASSUME NO RESPONSIBILITY FOR USE OF SUPERSEDED OR VOID DATA
 DIMENSIONS ARE SUBJECT TO MANUFACTURERS TOLERANCE AND CHANGE WITHOUT NOTICE



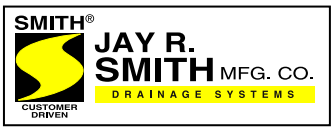
Rebar Installation Bracket
(2 Per Basin)

NOTE: The catch basin is shipped from the factory with a stiffener insert inside the catch basin. Please leave the stiffener insert in the catch basin and do not remove until the concrete pour has cured/hardened around the catch basin.



REGULARLY FURNISHED:
 100% Polypropylene with U.V. Inhibitors. Molded Catch Basin with 4" and 6" Preformed No-Hub Outlet Connection. Supplied with Secured Gate.

- VARIATIONS:**
- Plastic Sediment Bucket -BP
 - Closing End Cap -ES
 - Channel Shim 9930-ES*
 - Stainless Steel Overlay Rails







NOTE: Catch basin requires a minimum of 4" of concrete or slab thickness, whichever is greater, around and under complete unit.
NOTE: Dimensions shown in Parentheses are in Millimeters

See back Sheet for Grate Specifications

***NOTE:** Shim is required if a channel shallower than a #20 that is 9 1/8" (232) deep is used with the basin. Cut shim to fit opening in the basin under the channel.

K J H G	8-31-21 8-30-21 4-19-13 04/11/05	Edited Notes Added Note Revised Drawing Added Shim Note	KK KK TBW JJ	PJ PJ MD PJ	WEIGHT POUNDS	VOLUME CUBIC FEET	FIGURE NUMBER 9935
REV.	DATE	DESCRIPTION	BY	CKD. BY			

J	 <p>SMITH® JAY R. SMITH MFG. CO.® MEMBER OF MORRIS GROUP INTERNATIONAL POST OFFICE BOX 3237 MONTGOMERY, ALABAMA 36109-0237 (USA) TEL: 334-277-8520 FAX: 334-272-7396 www.jrsmith.com</p>	 <p>ASPE MEMBER OF:</p>	 <p>FPI MEMBER OF:</p>	 <p>FED MEMBER OF:</p>	LOCATION
---	---	--	---	---	----------

9935 CATCH BASIN GRATE SPECIFICATION BY LOAD CLASS

DRAWING NUMBER
s9935BS

SIZE
A

SCALE:
NONE

DATE:
08/02/93

APPROVED BY:
PACE

CHECKED BY:
PACE

DRAWN BY:
TWK

9935BS

WE CAN ASSUME NO RESPONSIBILITY FOR USE OF SUPERSEDED OR VOID DATA
DIMENSIONS ARE SUBJECT TO MANUFACTURERS TOLERANCE AND CHANGE WITHOUT NOTICE

- Light Duty, DIN 19580 **Class A** - 3,500 lbs - 70 psi
For pedestrian, wheel chair and bicycle traffic
- * 9870-410-GP- 1/4 dia. perforated galv. steel grate (28.30 SQ. IN. Open Area)
 - * 9870-420-G - 3 1/4 x 3/8 slotted galv. steel grate (35.20 SQ. IN. Open Area)
 - * 9870-451-SSPA- 1/4 dia. perforated stainless steel grate (28.30 SQ. IN. Open Area)
 - * 9870-445-SSADA- 13/16 x 3/16 longitudinal stainless steel slot bar grate (58.40 SQ. IN. Open Area)
 - * 9870-494-PADAB- 1 3/4 x 5/16 longitudinal slot black polypropylene grate (27.40 SQ. IN. Open Area)
 - * 9870-494-PADAG- 1 3/4 x 5/16 longitudinal slot gray polypropylene grate (27.40 SQ. IN. Open Area)
 - 9870-491-HPP- 1 13/16" x .25 slotted black polypropylene grate non-Q-Lok (17.00 SQ. IN. Open Area)

- Heavy Duty, DIN 19580 **Class C** -56,000 lbs - 1,162 psi
For commercial pneumatic tire traffic patterns, forklifts (pneumatic tire) and tractor trailers (pneumatic tire)
- * 9870-405-GM- 13/16 x 1/2 longitudinal galv. steel slot bar grate (121.10 SQ. IN. Open Area)
 - * 9870-411 -GPHD- 1/4 dia. perforated galv. steel grate (28.30 SQ. IN. Open Area)
 - * 9870-425-GHD- 3 1/4 x 3/8 slotted galv. steel grate (35.20 SQ. IN. Open Area)
 - * 9870-430-SSM- 1 3/16 x 1/2 longitudinal stainless steel slot bar grate (121.10 SQ. IN. Open Area)
 - * 9870-455-SSHD- 3 1/4 x 3/8 slotted stainless steel grate (42.60 SQ. IN. Open Area)
 - * 9870-479-MD- Mosaic pattern ductile iron grate (19.50 SQ. IN. Open Area)
 - * 9870-492-RC- 1 1/2 x 13/16 slotted resin composite grate (16.30 SQ. IN. Open Area)
 - * 9870-461-M - 3 15/16 x 3/8 ductile iron slotted grate (34.10 sq. in open area)

* Supplied with QuickLok® securing device regularly furnished

NOTE: The grate securing bolts must remain secured in the grate and tightened to the locking bar installed in the channel. If the grate securing bolts are removed from the grates for maintenance of the trench drain, they must be replaced and retightened. If the grate securing bolts are left out of the grates, the life span of the trench drain system could be affected along with the safety of pedestrian traffic.



FIGURE NUMBER

K J H G	3-20-19 9-9-14 9-16-13 8-14-13	Revised Load Class C Deleted 9870-440-VF/VF2 Revised Grates Revised Grates	MW TBW TBW TBW	PJ MD MD	WEIGHT POUNDS	VOLUME CUBIC FEET	FIGURE NUMBER 9935BS
REV.	DATE	DESCRIPTION	BY	CKD.			