

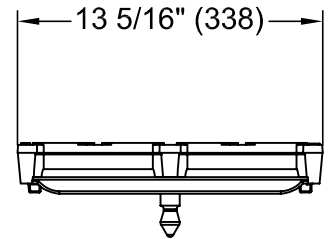
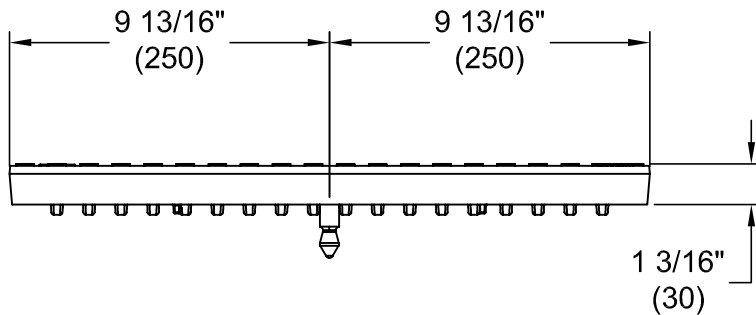
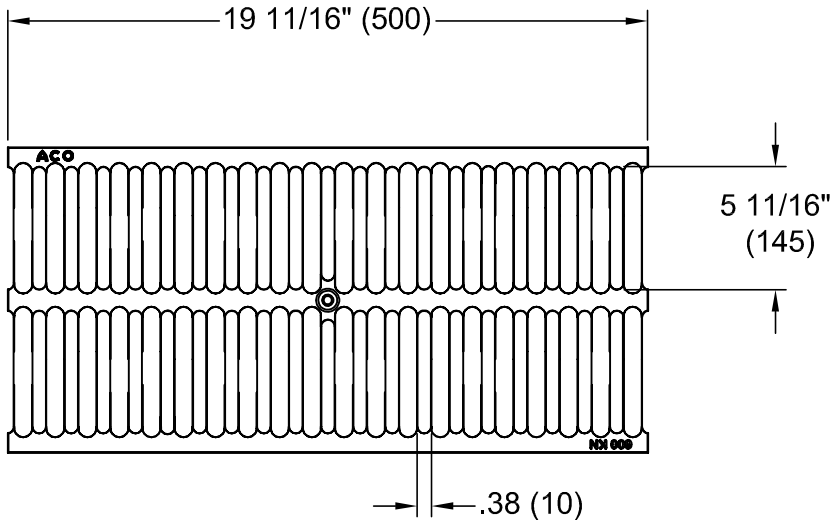


LOCATION

9890-861-M DUCTILE IRON SLOTTED GRATE SPECIFICATION SHEET



FUNCTION: For dynamic loads and hard wheel forklift traffic. For use in 14" wide non-Powerlok trench drains. Secured with Quicklok locking devices.



TECHNICAL CHARACTERISTICS

	1/2 meter
Weight	48 lbs
Intake Area	128.71 Sq In
Percent Opening	49%
Material	Ductile Iron

Heavy Duty, DIN 19580/EN 1433 Class E
 135,000 lbs - 2,788 psi, for commercial solid tire traffic patterns, forklifts and impacts from steel struts or metal wheels.

DRAWING NUMBER
s9890-861-M

SIZE
A

SCALE:
NONE

DATE:
7-14-14

APPROVED BY:
MD

CHECKED BY:
MD

DRAWN BY:
MD

FIGURE NUMBER
9890-861-M

WE CAN ASSUME NO RESPONSIBILITY FOR USE OF SUPERSEDED OR VOID DATA

DIMENSIONS ARE SUBJECT TO MANUFACTURERS TOLERANCE AND CHANGE WITHOUT NOTICE

REV.	DATE	DESCRIPTION	BY	CKD. BY

WEIGHT
POUNDS

VOLUME
CUBIC FEET

FIGURE NUMBER
9890-861-M