

REVISION  
DRAWING NUMBER  
SIZE  
SCALE  
DATE  
APPROVED BY  
CHECKED BY  
DRAWN BY  
FIGURE NUMBER

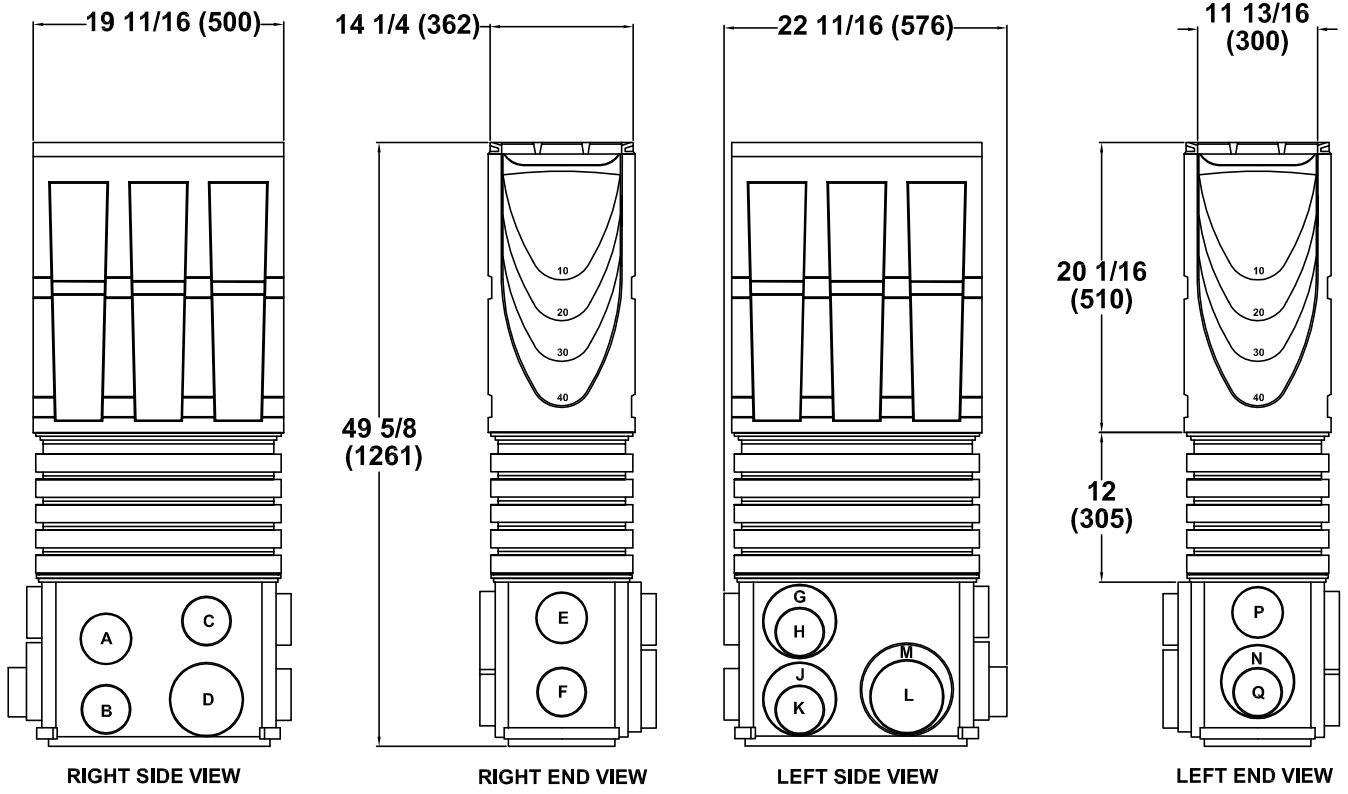
**SMITH® JAY R. SMITH MFG. CO.®**  
MEMBER OF MORRIS GROUP INTERNATIONAL  
POST OFFICE BOX 3237  
MONTGOMERY, ALABAMA 36109-0237 (USA)  
TEL: 334-277-8520 FAX: 334-272-7396 www.jrsmith.com



LOCATION

# 14" WIDE 9879-904D-CB POWERDRAIN® CATCH BASIN w/INTEGRAL DUCTILE IRON RAIL

**FUNCTION:** Used in all surface drainage applications. May be assembled to 9878 trench drain to collect debris and sediment and allow extra collection capacity. Has integral ductile iron edge rails that allow for extra heavy duty hard wheel traffic applications.



**Note:** See Back For Outlet Sizes And Flow Capacities

**Note:** Riser can be cut down in 1" increments.

**REGULARLY FURNISHED:**  
1/2 meter (1.64') Precast Polyester Concrete Catch Basin With An Integral Ductile Iron Edge Rail. Supplied with Secured Ductile Iron Slotted Grate and Deep Plastic Sediment Bucket.

- VARIATIONS:**
- Grate Specifications (See Back)
  - UNV Closing/Inlet/Outlet Cap
  - Foul Air Trap (4" only) -FAT
  - Grate Removal Tool

**Note:** This Trench Drain System is Designed for "On Grade Applications Only" as There are No Provisions for a Flashing Flange or Flashing Clamp

**Note:** This Catch Basin Comes Standard With Polymer Concrete Top, Powerlock Ductile Iron Slotted Grate, Plastic Riser, Plastic Bucket, And Plastic Base.



REV.	DATE	DESCRIPTION	BY	CKD. BY	WEIGHT POUNDS	VOLUME CUBIC FEET	FIGURE NUMBER <b>9879-904D-CB</b>
------	------	-------------	----	---------	---------------	-------------------	--------------------------------------

DRAWING NUMBER	<b>S9879-904D-CB-BS</b>	<b>14" WIDE 9879-904D-CB POWERDRAIN® CATCH BASIN w/INTEGRAL DUCTILE IRON RAIL</b>
----------------	-------------------------	---

SIZE	SCALE:	DATE:	APPROVED BY:	CHECKED BY:	DRAWN BY:	FIGURE NUMBER	DIMENSIONS ARE SUBJECT TO MANUFACTURERS TOLERANCE AND CHANGE WITHOUT NOTICE WE CAN ASSUME NO RESPONSIBILITY FOR USE OF SUPERSEDED OR VOID DATA	<p><b>Extra Heavy Duty, DIN 19580/EN 1433 Load Class E: 135,00 lbs - 2323 psi. For commercial solid tire forklift traffic patterns, forklifts and impacts from steel struts or metal wheels.</b></p> <p><input type="checkbox"/> <b>Powerlok ADA</b> - 1 3/8 x 7/16 longitudinal ductile iron slotted grate (56.00 sq in.)</p> <p><b>Extra Heavy Duty, DIN 19580/EN 1433 Load Class F: 202,320 lbs - 4182 psi. For aircraft runways, docks, heavy fork trucks, and heavy wheel loads.</b></p> <p><input type="checkbox"/> <b>Powerlok Slotted</b> - 3 13/16 x 7/16 ductile iron slotted grate (126.00 sq. in.)</p> <p>*Available With Powerlok Locking Devices Only</p>	<p style="text-align: center;">Outlet Flow Rates</p> <table border="1" style="width:100%; border-collapse: collapse;"> <thead> <tr> <th>Outlet</th> <th>Outlet Size</th> <th>Invert Inches</th> <th>Invert mm</th> <th>GPM</th> <th>CFS</th> </tr> </thead> <tbody> <tr><td>A</td><td>4" round</td><td>41.80</td><td>1062</td><td>343</td><td>0.77</td></tr> <tr><td>B</td><td>4" round</td><td>48.29</td><td>1227</td><td>370</td><td>0.83</td></tr> <tr><td>C</td><td>4" round</td><td>40.22</td><td>1022</td><td>337</td><td>0.75</td></tr> <tr><td>D</td><td>6" round</td><td>48.29</td><td>1227</td><td>824</td><td>1.84</td></tr> <tr><td>E</td><td>4" round</td><td>40.38</td><td>1027</td><td>337</td><td>0.75</td></tr> <tr><td>F</td><td>4" round</td><td>46.88</td><td>1191</td><td>365</td><td>0.81</td></tr> <tr><td>G</td><td>6" round</td><td>41.15</td><td>1045</td><td>757</td><td>1.69</td></tr> <tr><td>H</td><td>4" round</td><td>40.59</td><td>1031</td><td>338</td><td>0.75</td></tr> <tr><td>J</td><td>6" round</td><td>48.28</td><td>1226</td><td>824</td><td>1.84</td></tr> <tr><td>K</td><td>4" round</td><td>47.72</td><td>1212</td><td>368</td><td>0.82</td></tr> <tr><td>L</td><td>6" round</td><td>47.72</td><td>1212</td><td>819</td><td>1.83</td></tr> <tr><td>M</td><td>8" round</td><td>48.28</td><td>1226</td><td>1449</td><td>3.23</td></tr> <tr><td>N</td><td>6" round</td><td>46.78</td><td>1188</td><td>810</td><td>1.81</td></tr> <tr><td>P</td><td>4" round</td><td>39.65</td><td>1007</td><td>334</td><td>0.74</td></tr> <tr><td>Q</td><td>4" round</td><td>46.38</td><td>1178</td><td>363</td><td>0.81</td></tr> </tbody> </table> <p><b>Note:</b> These are the pipe flow rates at the specified outlet, NOT channel flow rates. Catch basin flow rates are without trash bucket - using trash bucket reduces flow.</p>	Outlet	Outlet Size	Invert Inches	Invert mm	GPM	CFS	A	4" round	41.80	1062	343	0.77	B	4" round	48.29	1227	370	0.83	C	4" round	40.22	1022	337	0.75	D	6" round	48.29	1227	824	1.84	E	4" round	40.38	1027	337	0.75	F	4" round	46.88	1191	365	0.81	G	6" round	41.15	1045	757	1.69	H	4" round	40.59	1031	338	0.75	J	6" round	48.28	1226	824	1.84	K	4" round	47.72	1212	368	0.82	L	6" round	47.72	1212	819	1.83	M	8" round	48.28	1226	1449	3.23	N	6" round	46.78	1188	810	1.81	P	4" round	39.65	1007	334	0.74	Q	4" round	46.38	1178	363	0.81
Outlet	Outlet Size	Invert Inches	Invert mm	GPM	CFS																																																																																																				
A	4" round	41.80	1062	343	0.77																																																																																																				
B	4" round	48.29	1227	370	0.83																																																																																																				
C	4" round	40.22	1022	337	0.75																																																																																																				
D	6" round	48.29	1227	824	1.84																																																																																																				
E	4" round	40.38	1027	337	0.75																																																																																																				
F	4" round	46.88	1191	365	0.81																																																																																																				
G	6" round	41.15	1045	757	1.69																																																																																																				
H	4" round	40.59	1031	338	0.75																																																																																																				
J	6" round	48.28	1226	824	1.84																																																																																																				
K	4" round	47.72	1212	368	0.82																																																																																																				
L	6" round	47.72	1212	819	1.83																																																																																																				
M	8" round	48.28	1226	1449	3.23																																																																																																				
N	6" round	46.78	1188	810	1.81																																																																																																				
P	4" round	39.65	1007	334	0.74																																																																																																				
Q	4" round	46.38	1178	363	0.81																																																																																																				

REV.	DATE	DESCRIPTION	BY	CKD. BY	WEIGHT POUNDS	VOLUME CUBIC FEET	<b>FIGURE NUMBER</b> <b>9879-904D-CB-BS</b>
------	------	-------------	----	---------	---------------	-------------------	--

