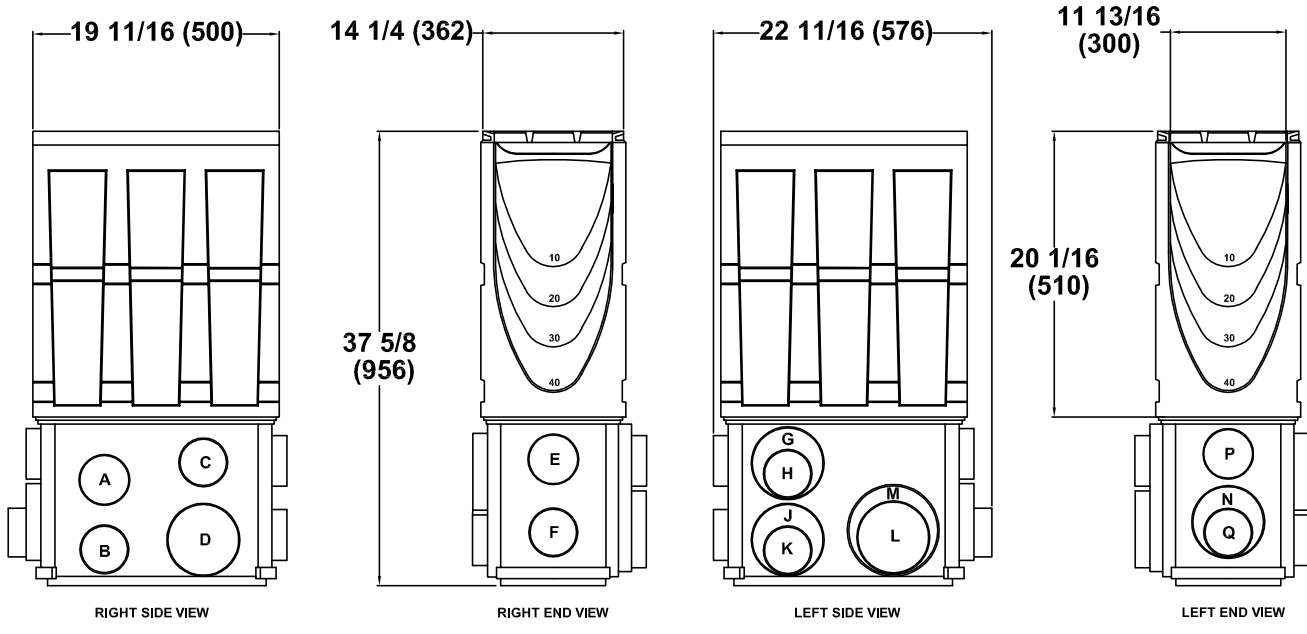


DRAWING NUMBER <b>S9879-903D-CB</b>	14" WIDE 9879-903D-CB POWERDRAIN <sup>®</sup> CATCH BASIN w/INTEGRAL DUCTILE IRON RAIL	
--	---	--

**FUNCTION:** Used in all surface drainage applications. May be assembled to 9879 trench drain to collect debris and sediment and allow extra collection capacity. Has integral ductile iron edge rails that allow for extra heavy duty hard wheel traffic applications.

DIMENSIONS ARE SUBJECT TO MANUFACTURERS TOLERANCE AND CHANGE WITHOUT NOTICE  
 WE CAN ASSUME NO RESPONSIBILITY FOR USE OF SUPERSEDED OR VOID DATA  
 SCALE: NONE  
 DATE: 8-20-14  
 APPROVED BY: MRD  
 CHECKED BY: MRD  
 DRAWN BY: MRD  
 SIZE: A  
 FIGURE NUMBER: 9879-903D-CB



**Note:** See Back For Outlet Sizes And Flow Capacities

**REGULARLY FURNISHED:**  
 1/2 meter (1.64') Precast Polyester Concrete Catch Basin With An Integral Ductile Iron Edge Rail. Supplied with Secured Ductile Iron Slotted Grate and Plastic Sediment Bucket.

- VARIATIONS:**
- Grate Specifications (See Back)
  - Foul Air Trap (4" only) -FAT
  - Grate Removal Tool


**Note:** This Trench Drain System is Designed for "On Grade Applications Only" as There are No Provisions for a Flashing Flange or Flashing Clamp

**Note:** This Catch Basin Comes Standard With Polymer Concrete Top, Powerlock Ductile Iron grate, Plastic Bucket, And Plastic Base.



REV.	DATE	DESCRIPTION	BY	CKD. BY	WEIGHT POUNDS	VOLUME CUBIC FEET	FIGURE NUMBER 9879-903D-CB

DRAWING NUMBER	<b>S9879-903D-CB-BS</b>	<h1 style="margin: 0;">14" WIDE 9879-903D-CB POWERDRAIN®</h1> <h2 style="margin: 0;">CATCH BASIN w/INTEGRAL DUCTILE IRON RAIL</h2>
----------------	-------------------------	--

SIZE	<b>A</b>	SCALE:	<b>NONE</b>	DATE:	<b>8-20-14</b>	APPROVED BY:	<b>MRD</b>	CHECKED BY:	<b>MRD</b>	DRAWN BY:	<b>MRD</b>	FIGURE NUMBER	<b>9879-903D-CB-BS</b>	REV.	DATE	DESCRIPTION	BY	CKD. BY	WEIGHT POUNDS	VOLUME CUBIC FEET	FIGURE NUMBER	<b>9879-903D-CB-BS</b>																																																																																																
WE CAN ASSUME NO RESPONSIBILITY FOR USE OF SUPERSEDED OR VOID DATA																																																																																																																						
DIMENSIONS ARE SUBJECT TO MANUFACTURERS TOLERANCE AND CHANGE WITHOUT NOTICE																																																																																																																						
<p><b>Extra Heavy Duty, DIN 19580/EN 1433 Load Class E: 135,000 lbs - 2323 psi. For commercial solid tire forklift traffic patterns, forklifts and impacts from steel struts or metal wheels.</b></p> <p>* <input type="checkbox"/> <b>Powerlok ADA</b> - 1 3/8 x 7/16 longitudinal ductile iron slotted grate (56.00 sq in.)</p> <p><b>Extra Heavy Duty, DIN 19580/EN 1433 Load Class F: 202,320 lbs - 4182 psi. For aircraft runways, docks, heavy fork trucks, and heavy wheel loads.</b></p> <p>* <input type="checkbox"/> <b>Powerlok Slotted</b> - 3 13/16 x 7/16 ductile iron slotted grate (126.00 sq. in.)</p> <p>*Available With Powerlok Locking Devices Only</p>													<p><b>Outlet Flow Rates</b></p> <table border="1" style="width:100%; border-collapse: collapse; font-size: x-small;"> <thead> <tr> <th>Outlet</th> <th>Outlet Size</th> <th>Invert Inches</th> <th>Invert mm</th> <th>GPM</th> <th>CFS</th> </tr> </thead> <tbody> <tr><td>A</td><td>4" round</td><td>29.80</td><td>757</td><td>287</td><td>0.64</td></tr> <tr><td>B</td><td>4" round</td><td>36.29</td><td>922</td><td>319</td><td>0.71</td></tr> <tr><td>C</td><td>4" round</td><td>28.22</td><td>717</td><td>279</td><td>0.62</td></tr> <tr><td>D</td><td>6" round</td><td>36.29</td><td>922</td><td>707</td><td>1.57</td></tr> <tr><td>E</td><td>4" round</td><td>28.38</td><td>721</td><td>280</td><td>0.62</td></tr> <tr><td>F</td><td>4" round</td><td>34.88</td><td>886</td><td>312</td><td>0.70</td></tr> <tr><td>G</td><td>6" round</td><td>29.15</td><td>740</td><td>626</td><td>1.40</td></tr> <tr><td>H</td><td>4" round</td><td>28.59</td><td>726</td><td>281</td><td>0.63</td></tr> <tr><td>J</td><td>6" round</td><td>36.28</td><td>922</td><td>707</td><td>1.57</td></tr> <tr><td>K</td><td>4" round</td><td>35.72</td><td>907</td><td>316</td><td>0.70</td></tr> <tr><td>L</td><td>6" round</td><td>35.72</td><td>907</td><td>701</td><td>1.56</td></tr> <tr><td>M</td><td>8" round</td><td>36.28</td><td>922</td><td>1237</td><td>2.76</td></tr> <tr><td>N</td><td>6" round</td><td>34.78</td><td>883</td><td>690</td><td>1.54</td></tr> <tr><td>P</td><td>4" round</td><td>27.65</td><td>702</td><td>276</td><td>0.61</td></tr> <tr><td>Q</td><td>4" round</td><td>34.36</td><td>872</td><td>310</td><td>0.69</td></tr> </tbody> </table> <p><b>Note:</b> These are the pipe flow rates at the specified outlet, NOT channel flow rates. Catch basin flow rates are without trash bucket - using trash bucket reduces flow.</p>										Outlet	Outlet Size	Invert Inches	Invert mm	GPM	CFS	A	4" round	29.80	757	287	0.64	B	4" round	36.29	922	319	0.71	C	4" round	28.22	717	279	0.62	D	6" round	36.29	922	707	1.57	E	4" round	28.38	721	280	0.62	F	4" round	34.88	886	312	0.70	G	6" round	29.15	740	626	1.40	H	4" round	28.59	726	281	0.63	J	6" round	36.28	922	707	1.57	K	4" round	35.72	907	316	0.70	L	6" round	35.72	907	701	1.56	M	8" round	36.28	922	1237	2.76	N	6" round	34.78	883	690	1.54	P	4" round	27.65	702	276	0.61	Q	4" round	34.36	872	310	0.69
Outlet	Outlet Size	Invert Inches	Invert mm	GPM	CFS																																																																																																																	
A	4" round	29.80	757	287	0.64																																																																																																																	
B	4" round	36.29	922	319	0.71																																																																																																																	
C	4" round	28.22	717	279	0.62																																																																																																																	
D	6" round	36.29	922	707	1.57																																																																																																																	
E	4" round	28.38	721	280	0.62																																																																																																																	
F	4" round	34.88	886	312	0.70																																																																																																																	
G	6" round	29.15	740	626	1.40																																																																																																																	
H	4" round	28.59	726	281	0.63																																																																																																																	
J	6" round	36.28	922	707	1.57																																																																																																																	
K	4" round	35.72	907	316	0.70																																																																																																																	
L	6" round	35.72	907	701	1.56																																																																																																																	
M	8" round	36.28	922	1237	2.76																																																																																																																	
N	6" round	34.78	883	690	1.54																																																																																																																	
P	4" round	27.65	702	276	0.61																																																																																																																	
Q	4" round	34.36	872	310	0.69																																																																																																																	
 <p><b>Trench Drain Series</b></p>																																																																																																																						