

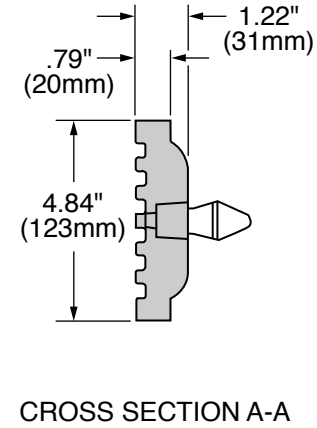
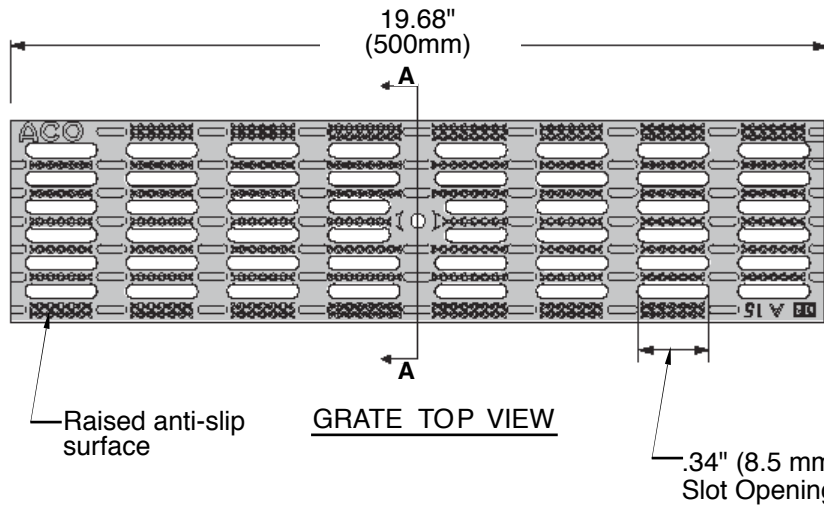
FIGURE NUMBER 9870-494-PADA	DRAWN BY: RN	CHECKED BY: PJ	APPROVED BY: PJ	DATE: 2-5-01	SCALE: NONE	SIZE A	DRAWING NUMBER a9870-494-PADA	E
---------------------------------------	-----------------	-------------------	--------------------	-----------------	----------------	------------------	----------------------------------	---

DIMENSIONS ARE SUBJECT TO MANUFACTURERS TOLERANCE AND CHANGE WITHOUT NOTICE

WE CAN ASSUME NO RESPONSIBILITY FOR USE OF SUPERSEDED OR VOID DATA

9870-494-PADA GRATE SPECIFICATION SHEET

Light Duty, DIN 19580 Class A - 3,500 lbs - 70 psi
For pedestrian, wheel chair and bicycle traffic



REGULARLY FURNISHED:
 Black Molded Polypropylene 1/2 Meter
 ADA Compliant Grate with Quick-Lock.

VARIATIONS:
 Gray Color

NOTE: Dimensions in
 Parentheses are Metric.

OPEN AREA: 28.00 SQ. IN.



SMITH® JAY R. SMITH MFG. CO.®
 MEMBER OF MORRIS GROUP INTERNATIONAL
 POST OFFICE BOX 3237
 MONTGOMERY, ALABAMA 36109-0237 (USA)
 TEL: 334-277-8520 FAX: 334-272-7396 www.jrsmith.com



E	6-27-16	Revised Variations	TBW	PJ
D	05/03/05	Added Variations, Removed Optional Material	JJ	PJ
C	12/14/04	Added Optional Material	JJ	PJ
B	09/20/04	Revised Drawing	JJ	PJ
A	8-27-04	Revised Drawing	RN	PJ
REV.	DATE	DESCRIPTION	BY	CKD. BY