

H



JAY R. SMITH MFG. CO.
 MEMBER OF MORRIS GROUP INTERNATIONAL
 POST OFFICE BOX 3237
 MONTGOMERY, ALABAMA 36109-0237 (USA)
 TEL: 334-277-8520 FAX: 334-272-7396 www.jrsmith.com



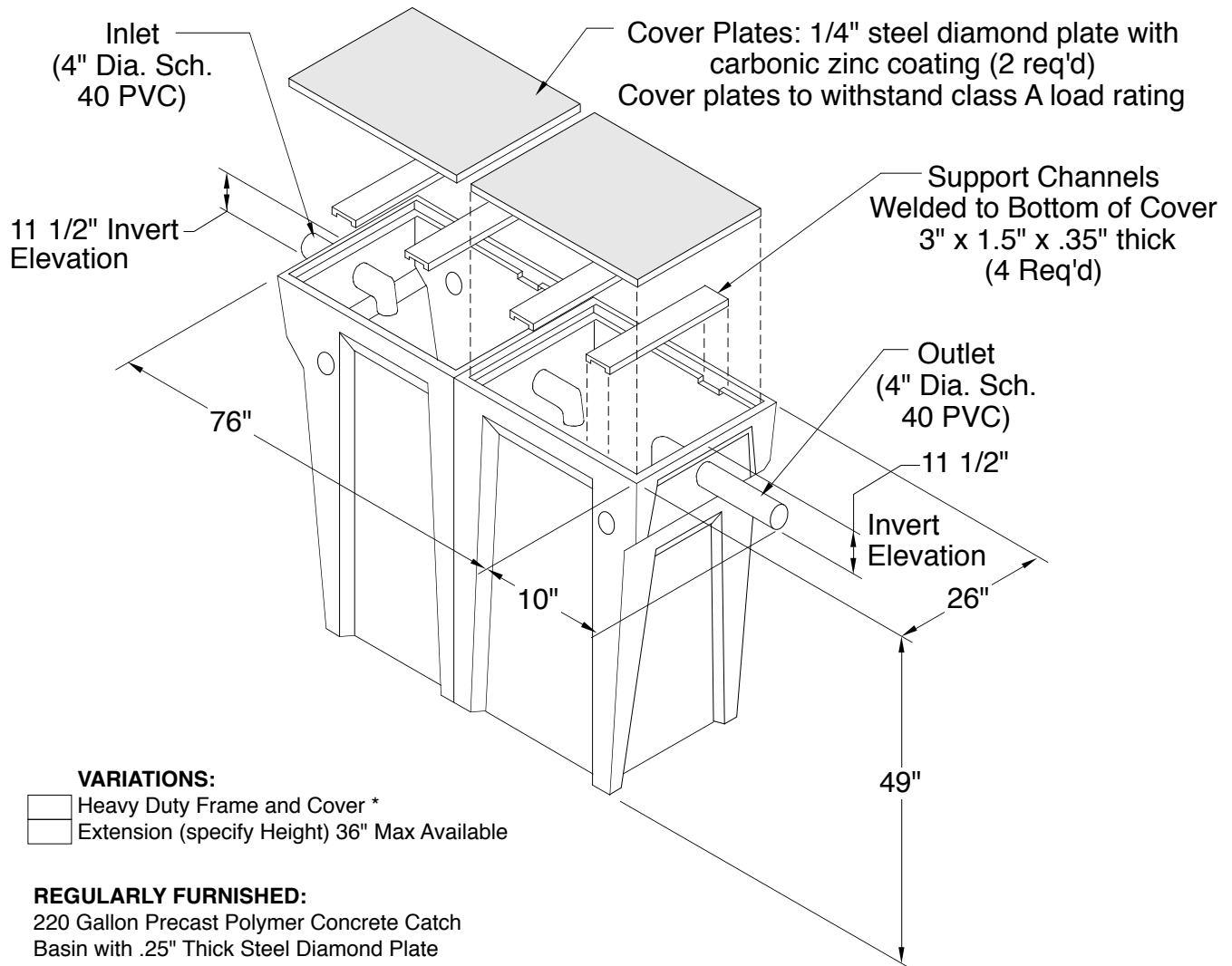
MEMBER OF:



LOCATION

OIL SEPARATOR

FUNCTION: Used in service stations, manufacturing and food processing plants where discharged water contains oil and sediment. The separator effectively helps to separate oils, grease, acids, sand, food remains and sludges.



VARIATIONS:

- Heavy Duty Frame and Cover *
- Extension (specify Height) 36" Max Available

REGULARLY FURNISHED:

220 Gallon Precast Polymer Concrete Catch Basin with .25" Thick Steel Diamond Plate Covers with Carbonic Zinc Coating and 4" Sch. 40 PVC Inlet and Outlet Connection. (unit weight 800 lbs)

*When spec. heavy duty cover add 2-3/16" to height

(See Back sheet for assembly)

NOTE: When Specified Heavy Duty Frame and Cover the Load Rating is Heavy Duty, DIN 19580 Class C-56,000 lbs-1,162 psi for commercial pneumatic tire traffic patterns, forklifts and tractor trailers.



DRAWING NUMBER
a9857

SIZE
A

SCALE:
NONE

DATE:
10-13-93

APPROVED BY:
PACE

CHECKED BY:
PACE

DRAWN BY:
TWK

FIGURE NUMBER
9857

WE CAN ASSUME NO RESPONSIBILITY FOR USE OF SUPERSEDED OR VOID DATA

REV.	DATE	DESCRIPTION	BY	CKD. BY
H	6-28-12	Revised Dim., Var.	TBW	PACE
G	5-2-08	Added Note	RN	PACE
F	7-27-06	Changed to load class A	RN	PACE
E	9-5-02	Added New ACO Logo	RN	PACE
D	2-17-97	Changed dimension	CMD	PACE

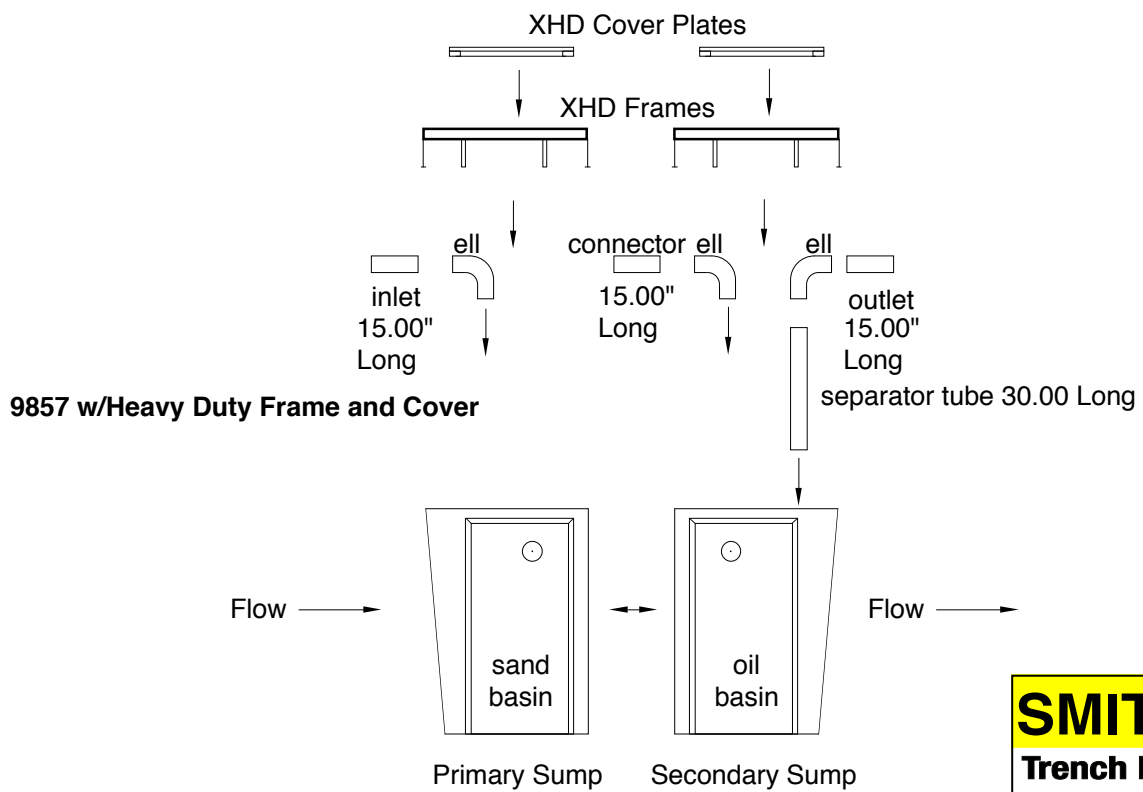
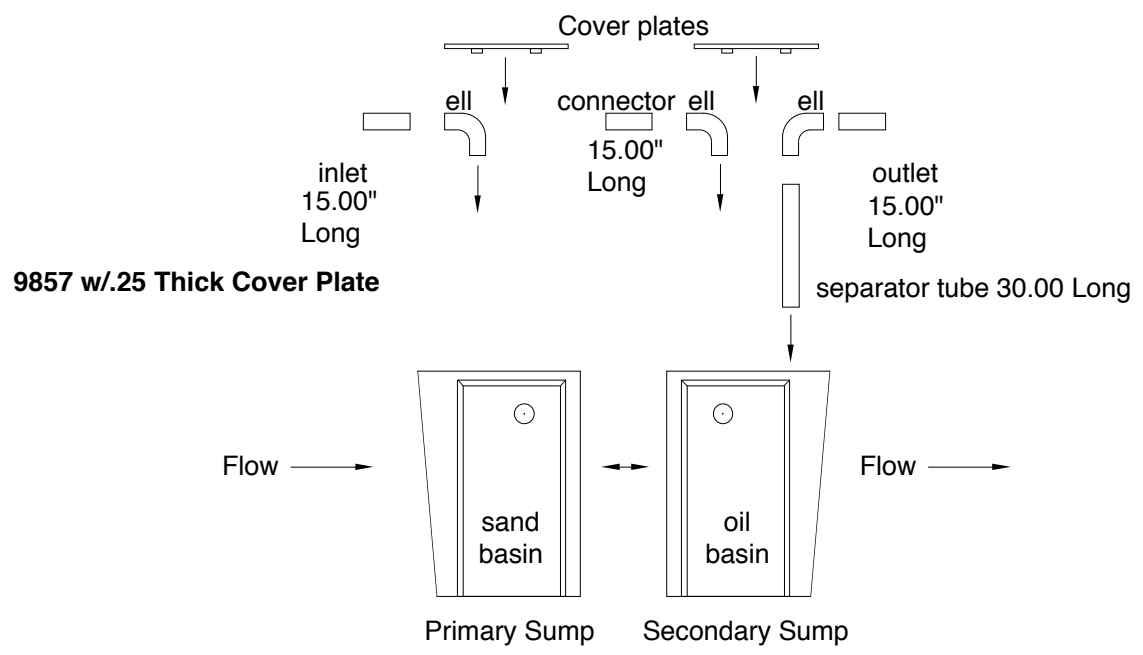
WEIGHT POUNDS	VOLUME CUBIC FEET
---------------	-------------------

FIGURE NUMBER
9857



WARNING: Cancer and Reproductive Harm - www.P65Warnings.ca.gov

OIL SEPARATOR ASSEMBLY



DRAWING NUMBER **a9857BS**

SIZE **A**

SCALE: **NONE**

DATE: **9-6-95**

APPROVED BY:

CHECKED BY: **PACE**

DRAWN BY: **EMB**

9857BS

FIGURE NUMBER

WE CAN ASSUME NO RESPONSIBILITY FOR USE OF SUPERSEDED OR VOID DATA

DIMENSIONS ARE SUBJECT TO MANUFACTURERS TOLERANCE AND CHANGE WITHOUT NOTICE

C	9-5-02	Added New ACO Logo	RN		WEIGHT	VOLUME	FIGURE NUMBER
B	1-12-99	Changed 29.00 to 30.00	CMD		POUNDS	CUBIC FEET	9857BS
A	5-8-96	Added Pipe Lengths	EMB				
REV.	DATE	DESCRIPTION	BY	CKD. BY			