

G



JAY R. SMITH MFG. CO.
 MEMBER OF MORRIS GROUP INTERNATIONAL
 POST OFFICE BOX 3237
 MONTGOMERY, ALABAMA 36109-0237 (USA)
 TEL: 334-277-8520 FAX: 334-272-7396 www.jrsmith.com

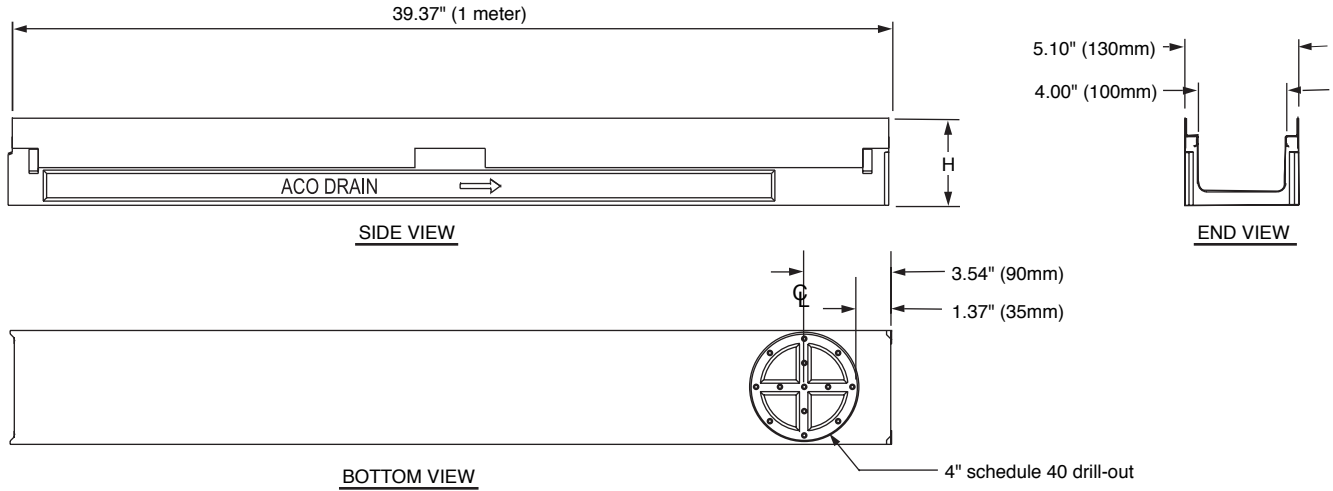


MEMBER OF:

LOCATION

SHALLOW CHANNEL

FUNCTION: Used in surface drainage applications where installation depth is restricted. Channels may be assembled in any length utilizing interlocking tongue and groove ends. This reduces installation time and cost, providing an engineered solution to drainage requirements.



<input checked="" type="checkbox"/>	CHANNEL TYPE	"H"
<input type="checkbox"/>	060	2.38" (60mm)
<input type="checkbox"/>	080	3.12" (80mm)

NOTE: Channels are provided with Vertical Preformed Knock-Out for 4" sch. 40 PVC Pipe.

NOTE: Dimensions in parentheses are MM.

REGULARLY FURNISHED:

1 meter (3.28') Precast Polymer Concrete Channel of Interlocking Design with a Non-Sloping Flat Bottom Channel and Integral Galv. Steel Rail edge. Supplied with Secured Grate as per Specification.

OPTIONAL MATERIALS:

- Stainless Steel Rail Edge
 (see back sheet for Grate Details)

Channel Type 080

- Closing End Cap Universal (Galvanized)
 Closing End Cap Universal (Stainless)

NOTE: This trench drainage system is designed for "on grade applications only", as there are no provisions for a flashing flange or flashing clamp.

SMITH[®] ACO
Trench Drain Series

DRAWING NUMBER
9836SIZE
ASCALE:
NONEDATE:
8/11/06APPROVED BY:
MDCHECKED BY:
MDDRAWN BY:
RN

9836

FIGURE
NUMBERWE CAN ASSUME NO RESPONSIBILITY FOR USE OF SUPERSEDED OR VOID DATA
DIMENSIONS ARE SUBJECT TO MANUFACTURERS TOLERANCE AND CHANGE WITHOUT NOTICE

REV.	DATE	DESCRIPTION	BY	CKD. BY	WEIGHT POUNDS	VOLUME CUBIC FEET	FIGURE NUMBER
							9836

SHALLOW CHANNEL

GRATE SPECIFICATIONS BY LOAD CLASS

Light Duty, DIN 19580 **Class A** - 3,500 lbs - 70 psi

For pedestrian, wheel chair and bicycle traffic

- 9870-410-GP- 1/4" dia. perforated galv. steel grate (27.60 SQ. IN.) Open Area/1 Meter
- 9870-420-G - 3 1/4" x 3/8" slotted galv. steel grate (42.60 SQ. IN.) Open Area/1 Meter
- 9870-450-SS- 3 1/4" x 3/8" slotted stainless steel grate (42.60 SQ. IN.) Non Q-Loc) Open Area/1 Meter
- 9870-451-SSPA- 1/4" dia. perforated stainless steel grate (27.60 SQ. IN.) Open Area/1 Meter
- 9870-445-SSADA- 13/16" x 3/16" longitudinal stainless steel slot bar grate (95.00 SQ. IN.) Open Area/1 Meter
- 9870-494-PADA- 1 3/4" x 5/16" longitudinal slot black polypropylene grate (28.0 SQ. IN.) Open Area/1/2 Meter
- 9930-HPP- 1 13/16" x 1/4" slotted black polypropylene grate non-Q-loc (17.00 SQ. IN.) Open Area/1/2 Meter

Heavy Duty, DIN 19580 **Class C** -56,000 lbs - 1,162 psi

For commercial pneumatic tire traffic patterns, forklifts and tractor trailers

- 9870-405-GM- 13/16" x 1/2" longitudinal galv. steel slot bar grate (125.30 SQ. IN.) Open Area/1 Meter
- 9870-411 -GPHD- 1/4" dia. perforated galv. steel grate (27.60 SQ. IN.) Open Area/1 Meter
- 9870-425-GHD- 3 1/4" x 3/8" slotted galv. steel grate (42.60 SQ. IN.) Open Area/1 Meter
- 9870-430-SSM- 1 3/16" x 1/2" longitudinal stainless steel slot bar grate (125.30 SQ. IN.) Open Area/1 Meter
- 9870-455-SSHD- 3 1/4" x 3/8" slotted stainless steel grate (42.60 SQ. IN.)Open Area/1 Meter
- 9870-465-SSP- 1/4" dia. perforated stainless steel grate (27.60 SQ. IN.) Open Area/1 Meter
- 9870-477-ML- 1 3/4" x 1" longitudinal ductile iron slotted grate (42.00 SQ. IN.) Open Area/1/2 Meter
- 9870-479-MD- Mosaic pattern ductile iron grate (19.50 SQ. IN) Open Area/1/2 Meter
- 9870-492-RC- 1 1/2" x 13/16" slotted resin composite grate (16.30 SQ. IN.)Open Area/1/2 Meter
- 9870-462-DGC- 3 15/16" x 3/8" ductile iron slotted grate (21.00 SQ. IN.)

Extra Heavy Duty, DIN 19580 **Class E**- 135,000 lbs - 2,788 psi

For commercial solid tire traffic patterns, forklifts and impacts from steel struts or metal wheels.

- 9870-435-GHDE- 3 1/4" x 3/8" slotted galv. steel grate (42.60 SQ. IN.)
- 9870-456-MS- solid ductile iron cover (Non Q-Loc)
- 9870-461-M- 3 15/16" x 3/8" ductile iron slotted grate (21.00 SQ. IN.)
- 9870-478-ADA- 1 3/4" x 5/16" longitudinal ductile iron slotted grate (14.30 SQ. IN.)
- 9870-490-SSHDE- 3 1/4" x 3/8" slotted stainless steel grate (42.60 SQ. IN.)

*Available in 1/2" and 1" meter lengths



DRAWING NUMBER **9836BS**
 SIZE **A**
 SCALE: **NONE**
 DATE: **8-11-06**
 APPROVED BY: **MD**
 CHECKED BY: **MD**
 DRAWN BY: **RN**
9836BS
 FIGURE NUMBER

WE CAN ASSUME NO RESPONSIBILITY FOR USE OF SUPERSEDED OR VOID DATA

REV.	DATE	DESCRIPTION	BY	CKD. BY	WEIGHT POUNDS	VOLUME CUBIC FEET	FIGURE NUMBER																												
		<table style="width:100%; border-collapse: collapse;"> <tr> <td style="width:15%;">E</td> <td>12-6-21</td> <td>Added DGC</td> <td>KK</td> <td>PACE</td> <td></td> <td></td> <td rowspan="4" style="text-align: center; vertical-align: middle;">9836BS</td> </tr> <tr> <td>D</td> <td>9-9-14</td> <td>Deleted 9870-440-VF/VF2</td> <td>TBW</td> <td>PACE</td> <td></td> <td></td> </tr> <tr> <td>C</td> <td>1-23-14</td> <td>Revised Grate Specifications</td> <td>TBW</td> <td>PACE</td> <td></td> <td></td> </tr> <tr> <td>B</td> <td>6-20-13</td> <td>Removed 9870-460-C1</td> <td>TBW</td> <td>PACE</td> <td></td> <td></td> </tr> </table>	E	12-6-21	Added DGC	KK	PACE			9836BS	D	9-9-14	Deleted 9870-440-VF/VF2	TBW	PACE			C	1-23-14	Revised Grate Specifications	TBW	PACE			B	6-20-13	Removed 9870-460-C1	TBW	PACE						
E	12-6-21	Added DGC	KK	PACE			9836BS																												
D	9-9-14	Deleted 9870-440-VF/VF2	TBW	PACE																															
C	1-23-14	Revised Grate Specifications	TBW	PACE																															
B	6-20-13	Removed 9870-460-C1	TBW	PACE																															