

G



JAY R. SMITH MFG. CO.®
 MEMBER OF MORRIS GROUP INTERNATIONAL
 POST OFFICE BOX 3237
 MONTGOMERY, ALABAMA 36109-0237 (USA)
 TEL: 334-277-8520 FAX: 334-272-7396 www.jrsmith.com



MEMBER OF:



LOCATION

SCUPPER DRAINS STAINLESS STEEL - CARBON STEEL

SCUPPER DRAIN WITH ANGLE GRATE

FUNCTION: Used at junction of roof and parapet. The angle grate prevents debris from blocking drainage.

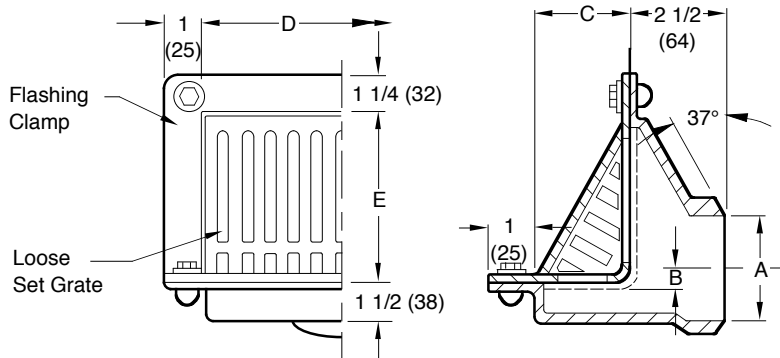


Fig. 9785BW. . . BUTT WELD OUTLET

PIPE SIZE	A	B	C	D	E	Free Area
02 (50)		1/4 (6)	3 1/4 (83)	8 3/4 (220)	5 (125)	17.87 (115 SQ. CM)
03 (75)		1/4 (6)				
04 (100)		1/2 (13)	4 (100)	10 1/2 (265)	6 1/2 (165)	35 (226 SQ. CM)
05 (125)		1 3/4 (44)				
06 (150)		1 3/4 (44)				

Schedule 40 Regularly Furnished

REGULARLY FURNISHED:

CF8 (Equivalent to Type 304) Rough Finish Stainless Steel Body with Nickel Bronze Loose Set Grate and Clamping Collar.

VARIATIONS:

Vandal Proof Grate -U
 BW Butt Weld Outlet (Specify Schedule -S05, -S10 or -S40)

OPTIONAL MATERIALS:

A-27 Carbon Steel Body -A27B
 All A-27 Carbon Steel -A27
 All CF8M (Equivalent to Type 316) Stainless Steel -316
 All CF8 Stainless Steel -304
 CF8M (Equivalent to Type 316) Stainless Steel Body -316B

Design Pressures and Temperatures

1. With proper outlet connection, shall be watertight up to 10 ft. of water column (4.34 psig).
2. When exposed to effluent appropriate for drain material, the drain shall withstand effluent temperatures of 180 degrees F at ambient pressure.

NOTE: Dimensions shown in parentheses are in millimeters.

DRAWING NUMBER
S9785SIZE
ASCALE:
NONEDATE:
11-12-84APPROVED BY:
TDCHECKED BY:
VGDDRAWN BY:
PJ

9785

WE CAN ASSUME NO RESPONSIBILITY FOR USE OF SUPERSEDED OR VOID DATA

DIMENSIONS ARE SUBJECT TO MANUFACTURERS TOLERANCE AND CHANGE WITHOUT NOTICE

REV.	DATE	DESCRIPTION	BY	CKD. BY
	6-25-13	Revised Optional Materials	TBW	CL
	10-18-11	Added Note	TBW	CL
	4-28-06	Revised Variations	RN	CL
	07-18-01	Added Free Area to Schedule	RN	BW

WEIGHT POUNDS	VOLUME CUBIC FEET

FIGURE NUMBER

9785



WARNING: Cancer and Reproductive Harm - www.P65Warnings.ca.gov