

L



JAY R. SMITH MFG. CO.
 MEMBER OF MORRIS GROUP INTERNATIONAL
 POST OFFICE BOX 3237
 MONTGOMERY, ALABAMA 36109-0237 (USA)
 TEL: 334-277-8520 FAX: 334-272-7396 www.jrsmith.com



MEMBER OF:

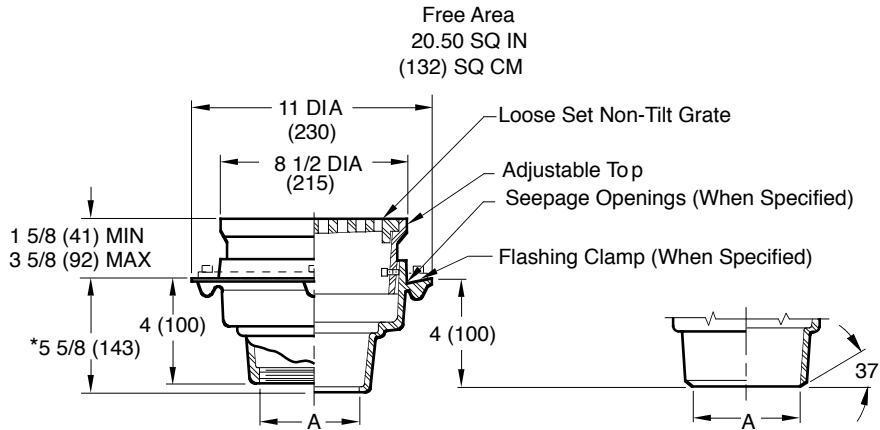


LOCATION

FLOOR DRAINS STAINLESS STEEL - CARBON STEEL

8 1/2" (215) ROUND ADJUSTABLE TOP

FUNCTION: Used in moderate traffic areas where an adjustable top permits accurate positioning of grate to meet finished floor levels.



Butt Weld Outlet

Schedule 40 Regularly Furnished (Specify Schedule if Different -S05, -S10)

*5 1/8"(130) for NO-HUB Outlet.

A (Pipe Size) 02(50), 03(75) or 04(100)

- Fig. 9725BW BUTT WELD OUTLET
- Fig. 9725C CAULK OUTLET
- Fig. 9725T THREADED OUTLET
- Fig. 9725Y NO-HUB OUTLET

REGULARLY FURNISHED:

CF8 (Equivalent to Type 304) Rough Finish Stainless Steel Body, Loose Set Non-Tilt Grate with Adjustable Top.

VARIATIONS:

- 4"(100) Extension -E04
- 4(100) or 6"(150) Dia. Funnel (Specify Fig. 9703)
- 8 3/4(220) x 3 3/4"(95) Funnel (Specify Fig. 9704)
- Closure Plug and Gasket Available in Stainless Steel -XPSS or Plastic -XPP
- Closure Plug with 3/4"(19) Test Plug -TP (Specify Material)
- Flashing Clamp with Seepage Holes -C
- Flat Bottom Strainer -FBS
- Satin Finish Top -SF
- Sediment Bucket -B
- Seepage Holes -WSH
- Solid Scoriated Cover -SC
- Vandal Proof Grate -U
- 90° Side Outlet (Specify Fig. 9759)

OPTIONAL MATERIALS:

- A-27 Carbon Steel -A27
- Cast Iron Grate -CIG
- CF8M (Equivalent with Type 316) Stainless Steel -316
- Nickel Bronze Grate -NB
- Polished Bronze Grate -PB

Design Pressures and Temperatures

- With proper outlet connection, shall be watertight up to 10 ft. of water column (4.34 psig).
- When exposed to effluent appropriate for drain material, the drain shall withstand effluent temperatures of 180 degrees F at ambient pressure.

NOTE: Dimensions shown in parentheses are in millimeters.

DRAWING NUMBER
S9725

SIZE
A

SCALE:
NONE

DATE:
PJ

APPROVED BY:
TD

CHECKED BY:
VGD

DRAWN BY:
PJ

9725

WE CAN ASSUME NO RESPONSIBILITY FOR USE OF SUPERSEDED OR VOID DATA

DIMENSIONS ARE SUBJECT TO MANUFACTURERS TOLERANCE AND CHANGE WITHOUT NOTICE

L	12-1-14	Add BW & NO-HUB, Rev. Var, Add Note	TBW	CL
K	6-19-13	Revised Dimension	TBW	CL
J	10-17-11	Added Note	TBW	CL
H	9-30-09	Revised Drawing	RN	CL
REV.	DATE	DESCRIPTION	BY	CKD. BY

WEIGHT POUNDS	VOLUME CUBIC FEET

FIGURE NUMBER 9725



WARNING: Cancer and Reproductive Harm - www.P65Warnings.ca.gov