



JAY R. SMITH MFG. CO.
 MEMBER OF MORRIS GROUP INTERNATIONAL
 POST OFFICE BOX 3237
 MONTGOMERY, ALABAMA 36109-0237 (USA)
 TEL: 334-277-8520 FAX: 888-377-7818 www.jrsmith.com

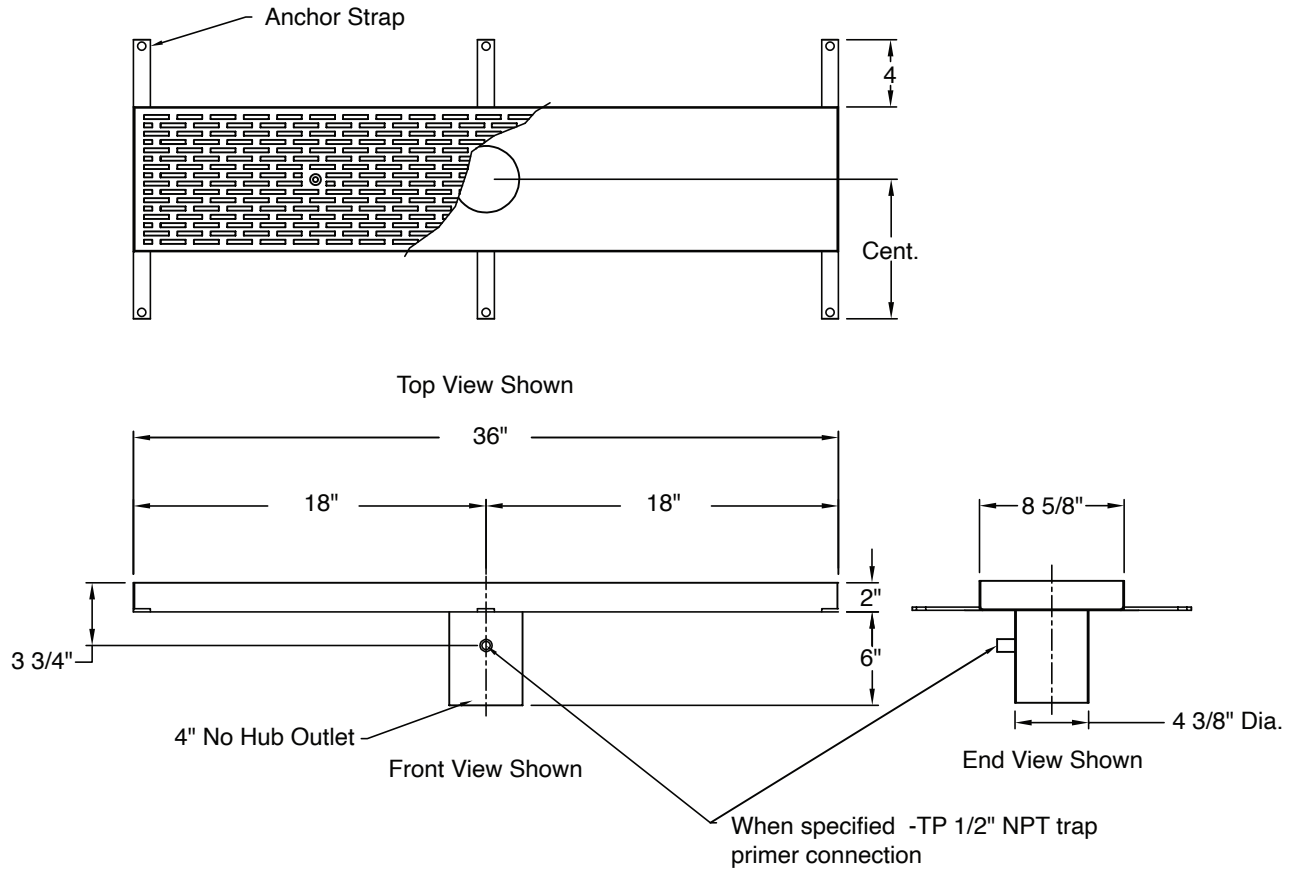


LOCATION

FIGURE NUMBER: **9678-75**
 DRAWN BY: **MW**
 CHECKED BY: **PACE**
 APPROVED BY: **PACE**
 DATE: **5-27-2020**
 SCALE: **NONE**
 SIZE: **A**
 DRAWING NUMBER: **sSQ-9678-75**
 A

DIMENSIONS ARE SUBJECT TO MANUFACTURERS TOLERANCE AND CHANGE WITHOUT NOTICE

STAINLESS STEEL THRESHOLD DRAIN



REGULARLY FURNISHED:

Custom threshold/lobby trench drain, 8 5/8" wide, 2" deep, all fabricated of 14 gage stainless steel conforming to ASTM A-240 (type 304). Drain provided with 4" no hub vertical outlet, 6 anchor straps and light duty, vandal proof stainless steel longitudinal heel-proof ADA slotted grate with open area of 42.00 sq in. per linear foot with slot opens of 1/4" wide which provides 75 gpm flow rate.

OPTIONS:

- Less Anchor Straps -LAS
- Inside Black Finish -BPF
- Black Powder Coated Interior
- DX Flange -DX
- Additional Anchor Straps
- Specify Outlet Position
- Anchor Straps 12 Req'd -AS
- 1/2" NPT Trap Primer Connection -TP

REV.	DATE	DESCRIPTION	BY	CKD. BY	WEIGHT POUNDS	VOLUME CUBIC FEET	FIGURE NUMBER
A	10-21-20	Revised Options	MW	MD			9678-75