



LOCATION

B

DRAWING NUMBER
sSQ-9678-25

SIZE
A

SCALE:
NONE

DATE:
5-27-2020

APPROVED BY:
PACE

CHECKED BY:
PACE

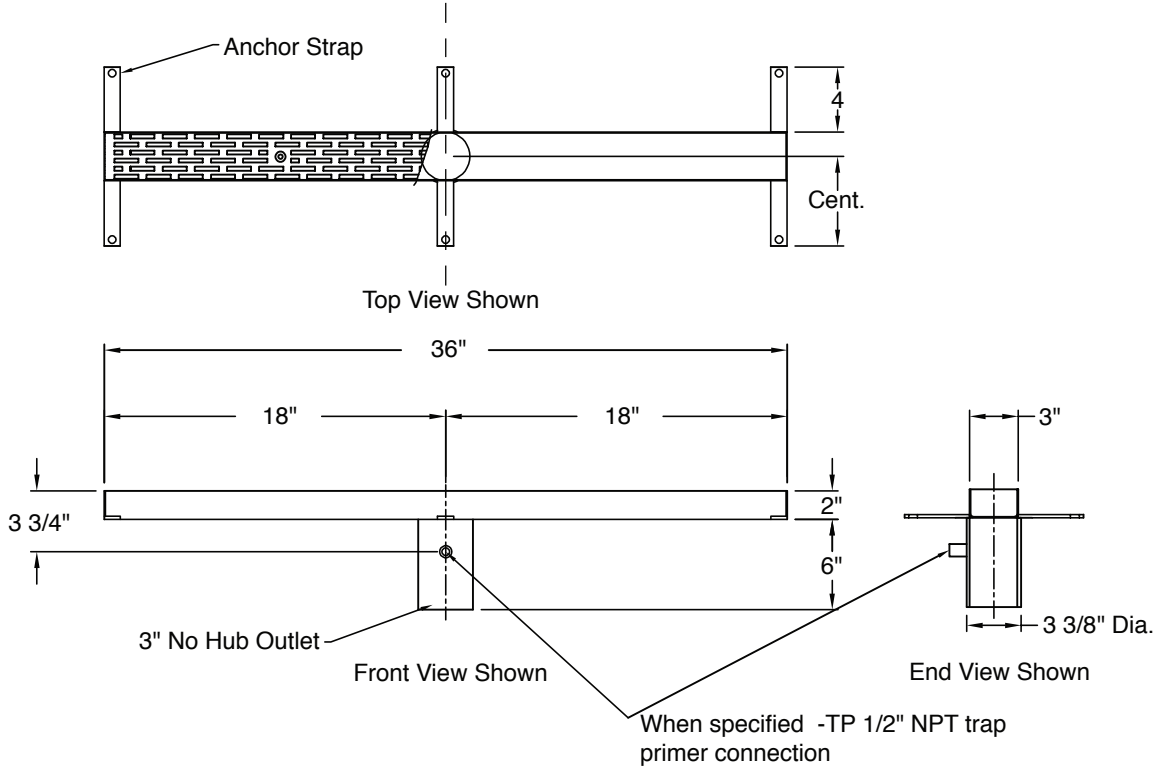
DRAWN BY:
MW

FIGURE NUMBER
9678-25

WE CAN ASSUME NO RESPONSIBILITY FOR USE OF SUPERSEDED OR VOID DATA

DIMENSIONS ARE SUBJECT TO MANUFACTURERS TOLERANCE AND CHANGE WITHOUT NOTICE

STAINLESS STEEL THRESHOLD DRAIN



REGULARLY FURNISHED:

Custom threshold/lobby trench drain, 3" wide, 2" deep, all fabricated of 14 gage stainless steel conforming to ASTM A-240 (type 304). Drain provided with 3" no hub vertical outlet, 6 anchor straps and light duty, vandal proof stainless steel longitudinal heel-proof ADA slotted grate with open area of 18.15 sq in. per linear foot with slot openings of 1/4" wide which provides 25 gpm flow rate.

OPTIONS:

- Less Anchor Straps -LAS
- Inside Black Finish -BPF
- DX Flange -DX
- Additional Anchor Straps
- Specify Outlet Position
- 1/2" NPT Trap Primer Connection -TP

B	6-24-21	Revised Options	KK	PJ
A	10-21-20	Revised Options	MW	MD
REV.	DATE	DESCRIPTION	BY	CKD. BY

WEIGHT POUNDS	VOLUME CUBIC FEET

FIGURE NUMBER 9678-25
