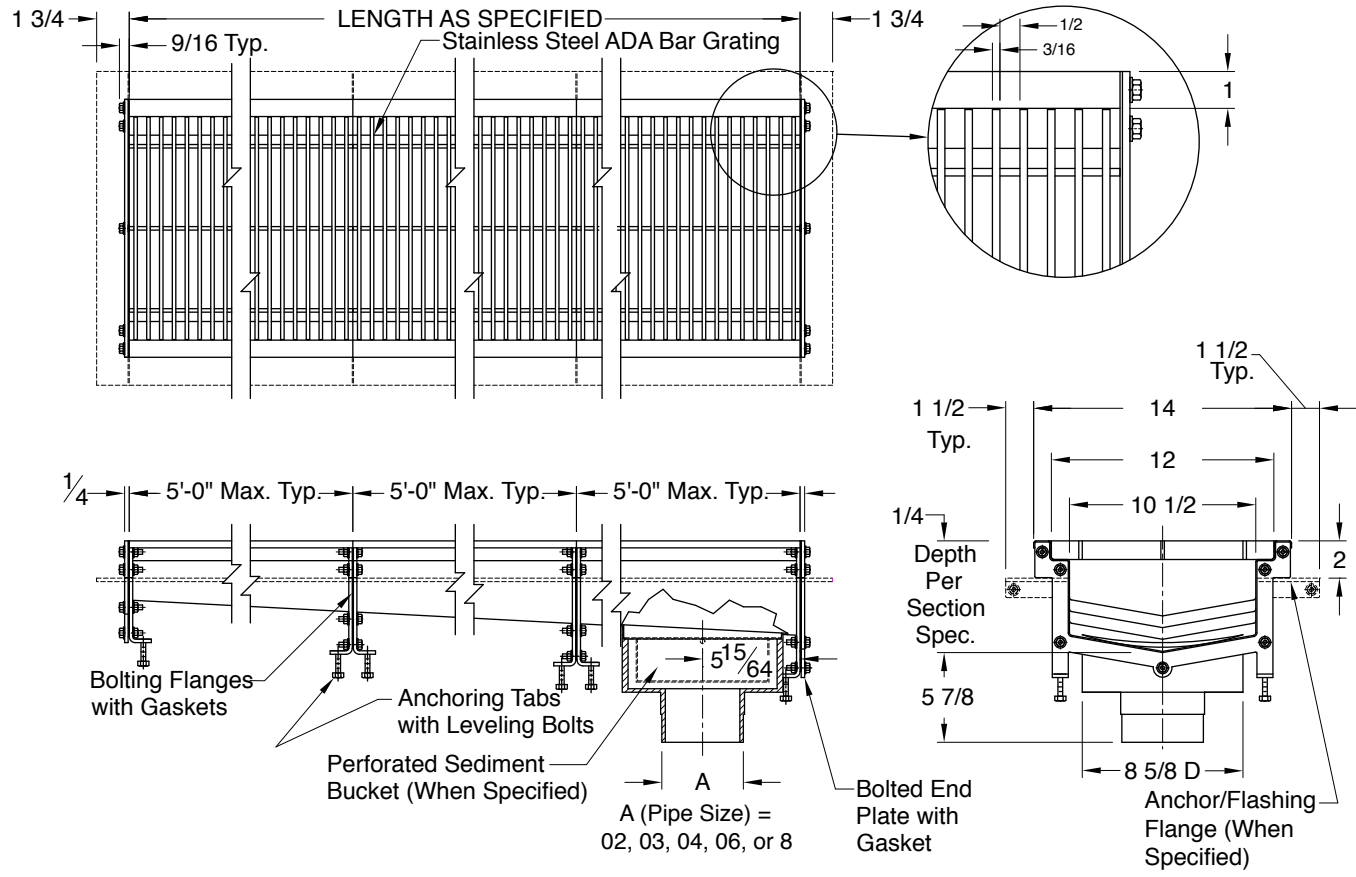


# 14" WIDE MODULAR STAINLESS STEEL TRENCH DRAIN SYSTEM WITH LIGHT DUTY GRATING

**FUNCTION:** Used in kitchens and other areas where a wide continuous trench drain is required to handle light to moderate traffic and where sanitation is of prime concern. Bar type grating offers optimum free area with minimum splashing when tilting kettles are emptied into the trench drain.



- Outlet Type
- Outlet Size
- Fig. 9670Y04-015 ..... NO-HUB OUTLET
- Fig. 9670T04-015 ..... THREADED OUTLET
- Section Required (See Chart)

**REGULARLY FURNISHED:**  
 Fabricated 14 gage type 304 stainless steel trench drain system with pre-sloped modular trench drain body sections (depth as specified -001 shallowest - 020 deepest) with bolting flanges and gaskets, NO-HUB bottom outlet at low end (unless otherwise specified) and fabricated loose set light duty type 304 stainless steel ADA bar grating with 3/16 " X 1" bars with 1/2" openings.

- VARIATIONS:**
- Vandal Proof Grating -U
  - Anchor Flange -F
  - Dome Bottom Strainer -DBS
  - Flashing Flange & Flashing Clamp -FC
  - Anti-Slip SS Notched Bar Grate - ASNG
  - Perforated Sediment Bucket -B
  - Stainless Steel Bar Grate Heavy Duty -SSBGHD

- OPTIONAL MATERIALS:**
- Type 316 Stainless Steel -316SS

**NOTE:** See back sheet for more variations and drain sections not shown.

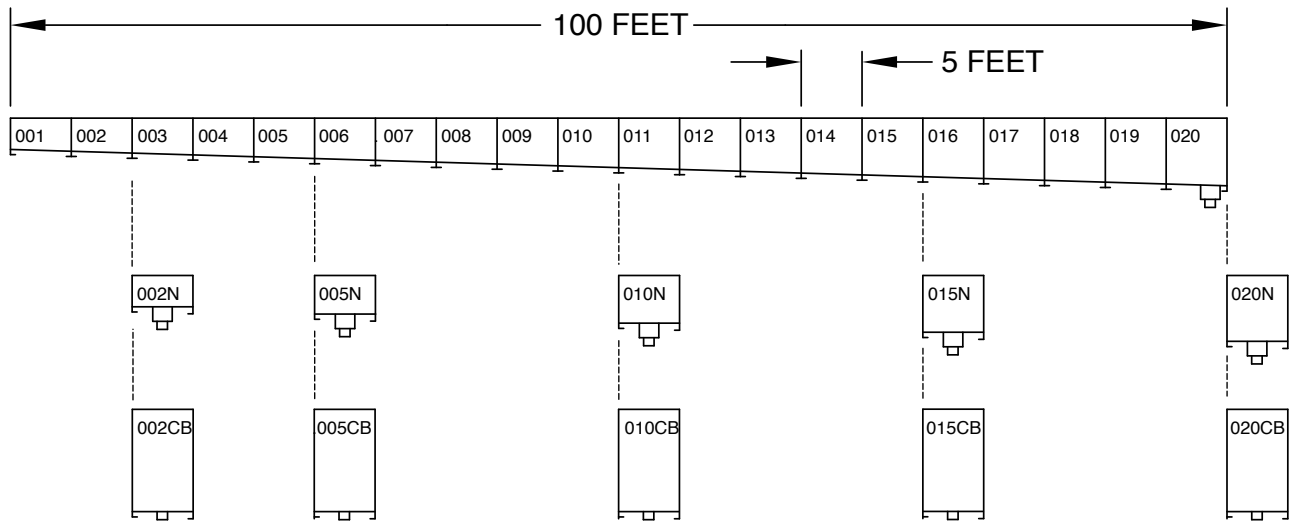
DRAWING NUMBER S9670  
 SIZE A  
 SCALE: NONE  
 DATE: 3-31-15  
 APPROVED BY: PJ  
 CHECKED BY: PJ  
 DRAWN BY: TBW  
 DIMENSIONS ARE SUBJECT TO MANUFACTURERS TOLERANCE AND CHANGE WITHOUT NOTICE

REV.	DATE	DESCRIPTION	BY	CKD. BY

WEIGHT POUNDS	VOLUME CUBIC FEET

**FIGURE NUMBER**  
**9670**

**14" WIDE MODULAR STAINLESS STEEL TRENCH DRAIN SYSTEM WITH LIGHT DUTY GRATING - AVAILABLE SECTIONS**



**SECTIONS AVAILABLE**

Channel Number	Overall Depth Shallow End	Overall Depth Deep End	Channel Number	Overall Depth Shallow End	Overall Depth Deep End
9670-001	3 1/2	4 1/8	9670-011	9 3/4	10 3/8
9670-002	4 1/8	4 3/4	9670-012	10 3/8	11
9670CB-002	*4 3/4	*4 3/4	9670-013	11	11 5/8
9670-002N	4 3/4	4 3/4	9670-014	11 5/8	12 1/4
9670-003	4 3/4	5 3/8	9670-015	12 1/4	12 7/8
9670-004	5 3/8	6	9670CB-015	*12 7/8	*12 7/8
9670-005	6	6 5/8	9670-015N	12 7/8	12 7/8
9670CB-005	*6 5/8	*6 5/8	9670-016	12 7/8	13 1/2
9670-005N	6 5/8	6 5/8	9670-017	13 1/2	14 1/8
9670-006	6 5/8	7 1/4	9670-018	14 1/8	14 3/4
9670-007	7 1/4	7 7/8	9670-019	14 3/4	15 3/8
9670-008	7 7/8	8 1/2	9670-020	15 3/8	16
9670-009	8 1/2	9 1/8	9670CB-020	*16	*16
9670-010	9 1/8	9 3/4	9670-020N	16	16
9670CB-010	*9 3/4	*9 3/4	*Channel Depth at Catch Basin. Overall Depth of Catch Basin is 24".		
9670-010N	9 3/4	9 3/4			

DRAWING NUMBER: 9670BS  
 SIZE: A  
 SCALE: NONE  
 DATE: 3-31-15  
 APPROVED BY: PJ  
 CHECKED BY: PJ  
 DRAWN BY: TBW  
 FIGURE NUMBER: 9670BS  
 DIMENSIONS ARE SUBJECT TO MANUFACTURERS TOLERANCE AND CHANGE WITHOUT NOTICE  
 WE CAN ASSUME NO RESPONSIBILITY FOR USE OF SUPERSEDED OR VOID DATA

REV.	DATE	DESCRIPTION	BY	CKD. BY	WEIGHT POUNDS	VOLUME CUBIC FEET	FIGURE NUMBER <b>9670BS</b>
------	------	-------------	----	---------	---------------	-------------------	--------------------------------