

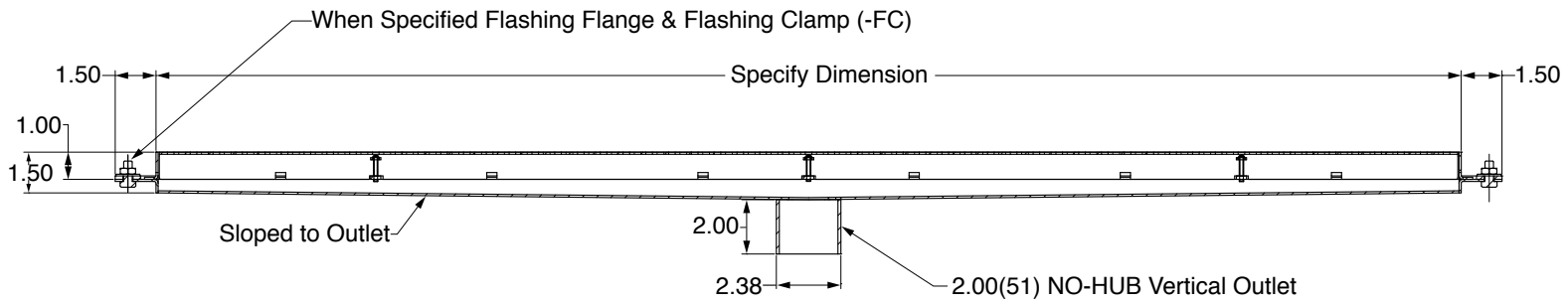
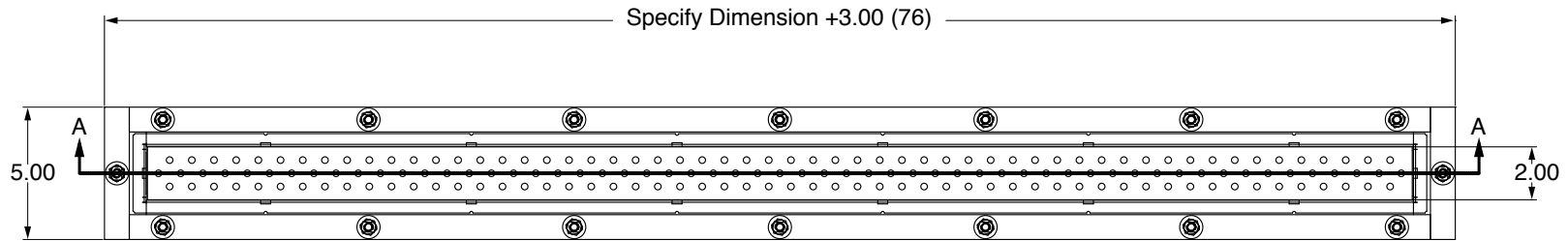
FIGURE NUMBER	9666	DRAWN BY: RN	CHECKED BY: MD	APPROVED BY: MD	DATE: 1-14-2011	SCALE: NONE	SIZE A	DRAWING NUMBER s9666	E
---------------	-------------	-----------------	-------------------	--------------------	--------------------	----------------	-----------	-------------------------	---

DIMENSIONS ARE SUBJECT TO MANUFACTURER'S TOLERANCE AND CHANGE WITHOUT NOTICE.

WE CAN ASSUME NO RESPONSIBILITY FOR USE OF SUPERSEDED OR VOID DATA.

STAINLESS STEEL ADA SHOWER DRAIN

Function: Threshold drain for shower stall applications with vandal-proof ADA compliant stainless steel perforated inlay grating



SECTION A-A

NOTE: Grate Locking Bars Should Be Located Away From Over The Outlet. Outlet Opening Must Be Clear Of Obstructions.

REGULARLY FURNISHED:

Fabricated 14 Ga Type 304 Stainless Steel Body with Vandal-Proof Stainless Steel Perforated Grate and 2" NO-HUB Bottom Outlet. Grate has .25(6) Dia Perforations.

NOTE: When -FC Flashing Clamp is specified .06(1.5) x .12(3) Dia. seepage holes are provided.

VARIATIONS:

- Slotted Grate -SG
- Tile Inlay Grate -TIG
- Solid Rim Flow Grate -SRFG
- Wave Grate -WG
- Flashing Flange and Clamp -FC
- 2.00" Threaded Connection -T02

OPTIONAL MATERIALS:

- 316 Stainless Steel -316

SMITH® JAY R. SMITH MFG. CO.®
 MEMBER OF MORRIS GROUP INTERNATIONAL
 POST OFFICE BOX 3237
 MONTGOMERY, ALABAMA 36109-0237 (USA)
 TEL: 334-277-8520 FAX: 888-377-7818 www.jrsmith.com

MEMBER OF:

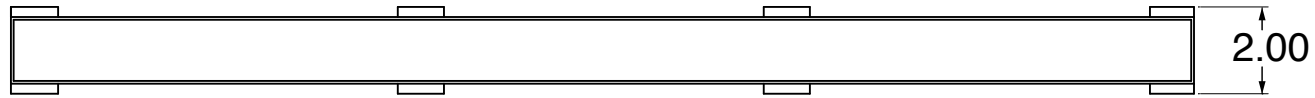
E	3-1-22	Added Grate Securing Bar Note Revised Regularly Furnished Updated Drawing Revised Regularly Furnished	KK	PJ
D	7-25-18		TBW	PJ
C	5-23-16		TBW	MRD
B	9-19-13		TBW	PJ
REV.	DATE	DESCRIPTION	BY	CKD.

FIGURE NUMBER	9666BS	DRAWN BY:	CHECKED BY:	APPROVED BY:	DATE:	SCALE:	SIZE	DRAWING NUMBER	
		TBW	MD	MD	5-24-16	NONE	A	s9666BS	

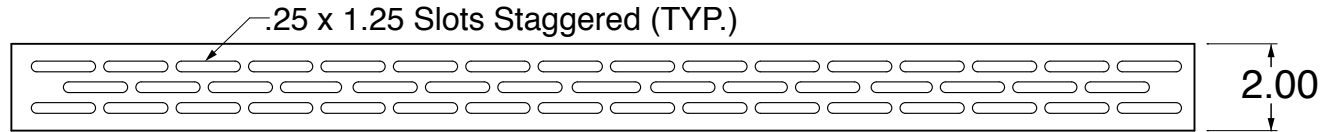
DIMENSIONS ARE SUBJECT TO MANUFACTURER'S TOLERANCE AND CHANGE WITHOUT NOTICE.

WE CAN ASSUME NO RESPONSIBILITY FOR USE OF SUPERSEDED OR VOID DATA.

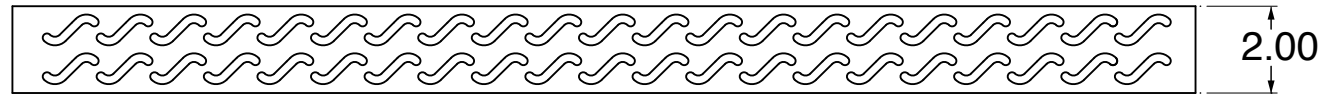
STAINLESS STEEL ADA SHOWER DRAIN



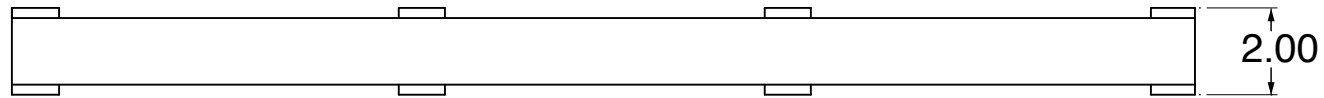
OPTIONAL TILE INLAY GRATE -TIG



OPTIONAL SLOTTED GRATE -SG



OPTIONAL WAVE GRATE -WG



OPTIONAL SOLID RIM FLOW GRATE -SRFG

SMITH® JAY R. SMITH MFG. CO.®
 MEMBER OF MORRIS GROUP INTERNATIONAL
 POST OFFICE BOX 3237
 MONTGOMERY, ALABAMA 36109-0237 (USA)
 TEL: 334-277-8520 FAX: 334-272-7396 www.jrsmith.com





MEMBER OF:

REV.	DATE	DESCRIPTION	BY	CKD.