

C



JAY R. SMITH MFG. CO.®
 MEMBER OF MORRIS GROUP INTERNATIONAL
 POST OFFICE BOX 3237
 MONTGOMERY, ALABAMA 36109-0237 (USA)
 TEL: 334-277-8520 FAX: 888-377-7818 www.jrsmith.com



MEMBER OF:



LOCATION

STAINLESS STEEL HUB DRAIN

DRAWING NUMBER
S9654 Series

SIZE
A

SCALE:
NONE

DATE:
1-30-17

APPROVED BY:
SJM

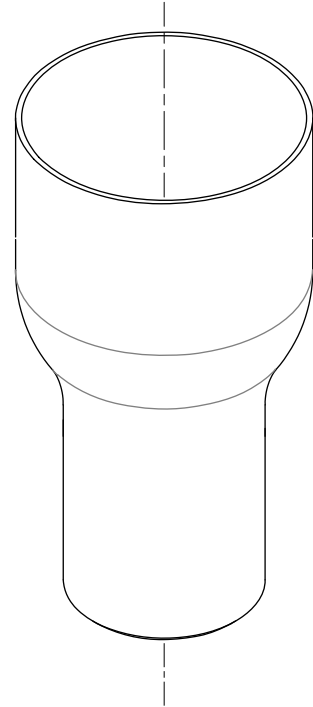
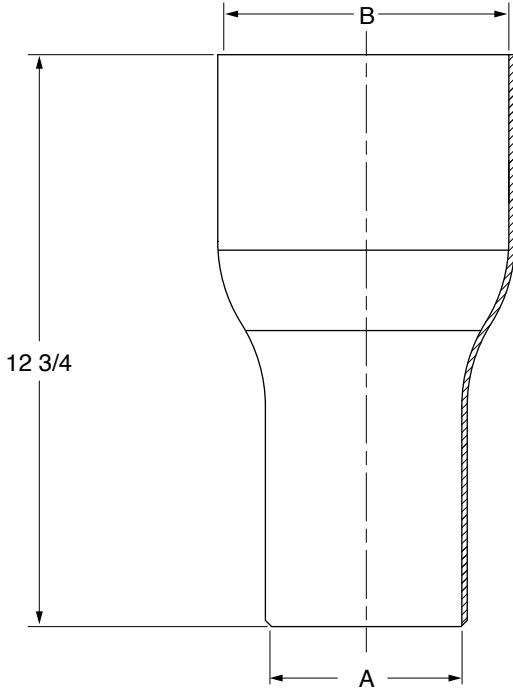
CHECKED BY:
JM

DRAWN BY:
TBW

9654 SERIES

WE CAN ASSUME NO RESPONSIBILITY FOR USE OF SUPERSEDED OR VOID DATA

DIMENSIONS ARE SUBJECT TO MANUFACTURERS TOLERANCE AND CHANGE WITHOUT NOTICE



USDA ACCEPTED

FIG. NO.	A (PIPE SIZE)	B
<input type="checkbox"/> 9654BW03-S10	03(75)	41/4(108)
<input type="checkbox"/> 9654BW04-S10	04(100)	6 3/8(162)
<input type="checkbox"/> 9654BW06-S10	06(150)	8 5/16(211)

REGULARLY FURNISHED:
 Type 304 Stainless Steel Hub Drain
 with Schedule 10 Buttweld Outlet.

VARIATIONS:
 USDA Compliant

NOTE: Dimensions shown in parentheses are in millimeters.

REV.	DATE	DESCRIPTION	BY	CKD. BY
C	7-7-21	Rev. Var., Removed Opt. Materials	KK	CL
B	5-17-18	Revised Variations, Added Note	TBW	CL
A	6-8-17	Revised Drawing	TBW	CL

WEIGHT POUNDS	VOLUME CUBIC FEET

FIGURE NUMBER
9654 SERIES



WARNING: Cancer and Reproductive Harm - www.P65Warnings.ca.gov