

GENERAL PURPOSE FLOOR CLEANOUT 6" (150) ROUND & 6 1/2" (165) SQUARE

DRAWING NUMBER
S9646-ST/9646-ST-S

SIZE
A


SCALE:
NONE

DATE:
8-5-15


APPROVED BY:
JM

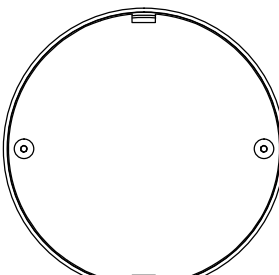
CHECKED BY:
CL

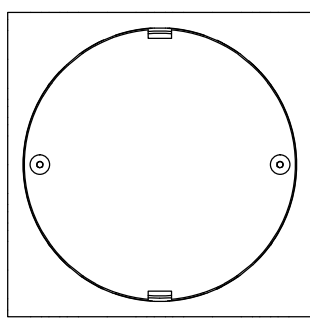
DRAWN BY:
TBW

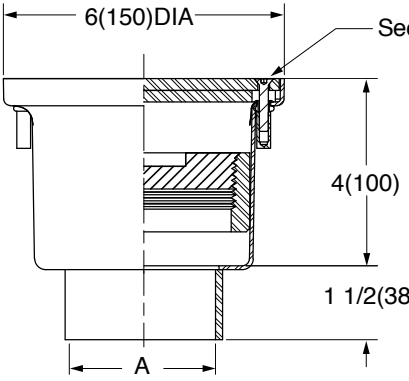

 File No. 3559

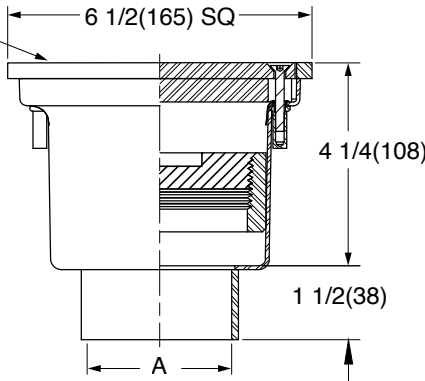
USDA ACCEPTED


 ASME A112.36.2M &
 CSA B79
 Certified Heavy Duty
 Load Rating











A (Pipe Size) = 02(50), 03(75) or 04(100)





ROUND TOP Fig. <input type="checkbox"/> 9646BW-ST BUTTWELD OUTLET Fig. <input type="checkbox"/> 9646T-ST THREADED OUTLET Fig. <input type="checkbox"/> 9646Y-ST NO-HUB OUTLET	SQUARE TOP <input type="checkbox"/> 9646BW -ST-S▲ <input type="checkbox"/> 9646T -ST-S <input type="checkbox"/> 9646Y -ST-S
--	---

▲ Schedule 40 Regularly Furnished

REGULARLY FURNISHED: 14 Gauge Type 304 Stainless Steel Body with Secured Smooth Cover and ABS Closure Plug. Body Rim and Cover Polished to a No. 4 Finish.	VARIATIONS: <input type="checkbox"/> Anchor Flange -F <input type="checkbox"/> Flange & Flashing Clamp -FC <input type="checkbox"/> Type 304 Stainless Steel Closure Plug -XPSS <input type="checkbox"/> Vandal Proof Top -U <input type="checkbox"/> USDA Compliant	OPTIONAL MATERIALS: <input type="checkbox"/> Type 316 Stainless Steel -316
--	--	--

SUBJECT TO MANUFACTURING TOLERANCE AND CHANGE WITHOUT NOTICE.

NOTE: Dimensions shown in parentheses are in millimeters.

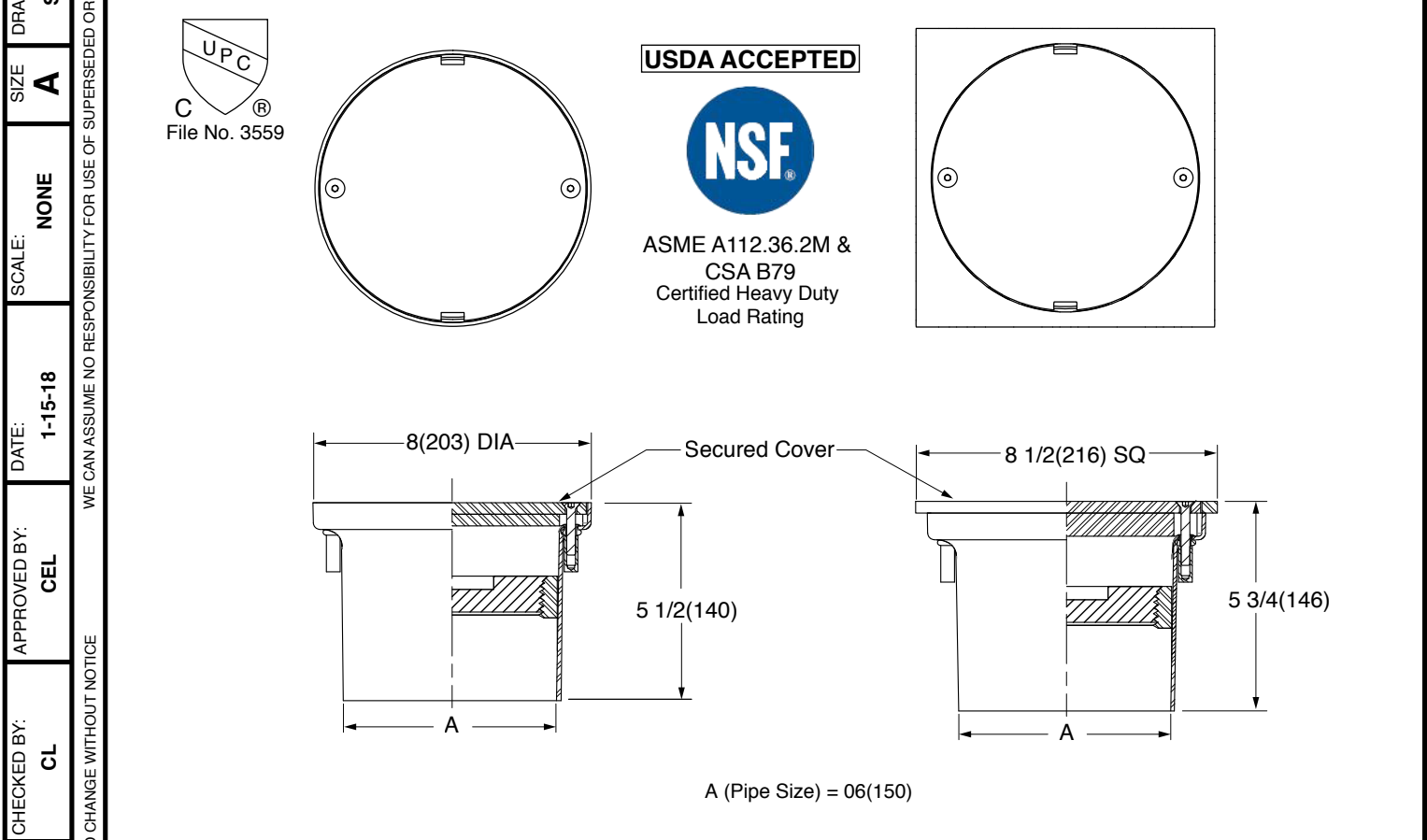
WE CAN ASSUME NO RESPONSIBILITY FOR USE OF SUPERSEDED OR VOID DATA

DIMENSIONS ARE SUBJECT TO MANUFACTURERS TOLERANCE AND CHANGE WITHOUT NOTICE

FIGURE NUMBER	9646-ST / 9646 -ST-S	REV.	DATE	DESCRIPTION	BY	CKD. BY	WEIGHT POUNDS	VOLUME CUBIC FEET	FIGURE NUMBER
									9646 -ST/9646 -ST-S

GENERAL PURPOSE FLOOR CLEANOUT 8"(150) ROUND & 8 1/2"(165) SQUARE

FUNCTION: General service cleanout for installation in finished and unfinished areas requiring high sanitation and corrosion resistance such as food processing plants, healthcare facilities, laboratories, breweries, dairies, creameries bottling plants, commercial kitchens and pharmaceutical facilities.



- | | |
|---|--|
| <p>ROUND TOP</p> <p>Fig. <input type="checkbox"/> 9646BW-ST BUTTWELD OUTLET</p> <p>Fig. <input type="checkbox"/> 9646T-ST THREADED OUTLET</p> <p>Fig. <input type="checkbox"/> 9646Y-ST NO-HUB OUTLET</p> | <p>SQUARE TOP</p> <p><input type="checkbox"/> 9646BW -ST-S▲</p> <p><input type="checkbox"/> 9646T -ST-S</p> <p><input type="checkbox"/> 9646Y -ST-S</p> |
|---|--|
- ▲Schedule 40 Regularly Furnished

<p>REGULARLY FURNISHED:</p> <p>14 Gauge Type 304 Stainless Steel Body with Secured Smooth Cover and HDPE Closure Plug. Body Rim and Cover Polished to a No. 4 Finish.</p>	<p>VARIATIONS:</p> <p><input type="checkbox"/> Anchor Flange -F</p> <p><input type="checkbox"/> Flange & Flashing Clamp -FC</p> <p><input type="checkbox"/> Type 304 Stainless Steel Closure Plug -XPSS</p> <p><input type="checkbox"/> USDA Compliant</p>	<p>OPTIONAL MATERIALS:</p> <p><input type="checkbox"/> Type 316 Stainless Steel -316</p>
--	---	---

SUBJECT TO MANUFACTURING TOLERANCE AND CHANGE WITHOUT NOTICE.

NOTE: Dimensions shown in parentheses are in millimeters.

FIGURE NUMBER	9646 -ST/9646 -ST-S-BS	REV.	DATE	DESCRIPTION	BY	CKD. BY	WEIGHT POUNDS	VOLUME CUBIC FEET	FIGURE NUMBER
									9646 -ST/9646 -ST-S-BS

DRAWING NUMBER: S9646-ST/9646-ST-S-BS

SCALE: NONE

DATE: 1-15-18

APPROVED BY: CEL

CHECKED BY: CL

DRAWN BY: TBW

FIGURE NUMBER: 9646 -ST/9646 -ST-S-BS

WE CAN ASSUME NO RESPONSIBILITY FOR USE OF SUPERSEDED OR VOID DATA

DIMENSIONS ARE SUBJECT TO MANUFACTURERS TOLERANCE AND CHANGE WITHOUT NOTICE