

G



**JAY R. SMITH MFG. CO.®**  
 MEMBER OF MORRIS GROUP INTERNATIONAL  
 POST OFFICE BOX 3237  
 MONTGOMERY, ALABAMA 36109-0237 (USA)  
 TEL: 334-277-8520 FAX: 888-377-7818 www.jrsmith.com



MEMBER OF:



LOCATION

DRAWING NUMBER  
S9646/9646-S

SIZE  
A

SCALE:  
NONE

DATE:  
7-10-14

APPROVED BY:  
JM

CHECKED BY:  
CL

DRAWN BY:  
TBW

9646 / 9646 -S

FIGURE NUMBER

WE CAN ASSUME NO RESPONSIBILITY FOR USE OF SUPERSEDED OR VOID DATA

DIMENSIONS ARE SUBJECT TO MANUFACTURERS TOLERANCE AND CHANGE WITHOUT NOTICE

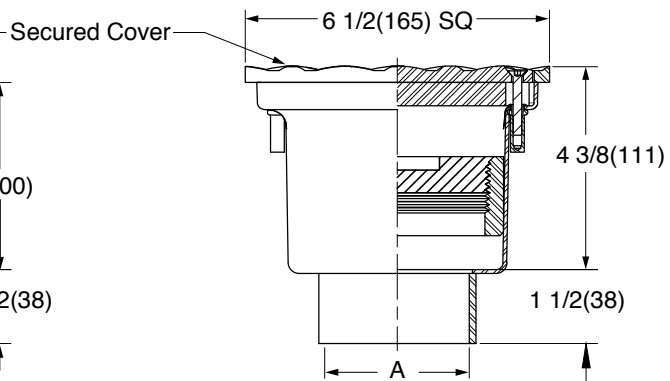
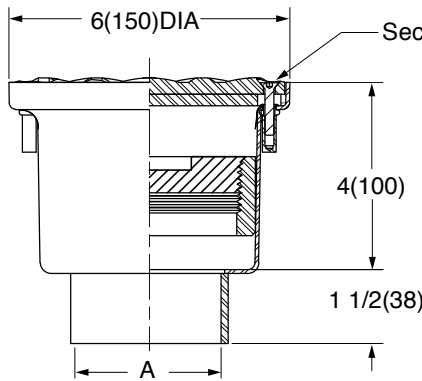
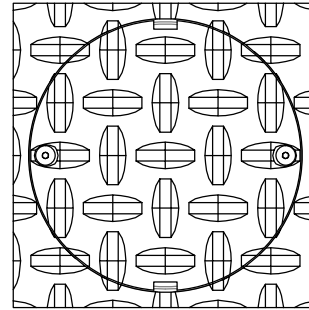
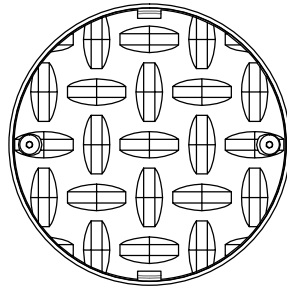
# GENERAL PURPOSE FLOOR CLEANOUT 6" (150) ROUND & 6 1/2" (165) SQUARE



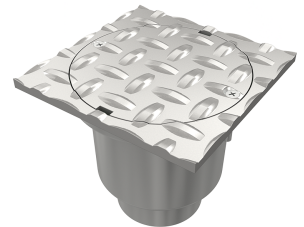
USDA ACCEPTED



ASME A112.36.2M &  
 CSA B79  
 Certified Heavy Duty  
 Load Rating



A (Pipe Size) = 02(50), 03(75) or 04(100)



- |  |                                      |
|--|--------------------------------------|
| <b>ROUND TOP</b>   | <b>SQUARE TOP</b>                    |
| Fig. <input type="checkbox"/> 9646BW ..... BUTTWELDED OUTLET ..... | <input type="checkbox"/> 9646BW -S ▲ |
| Fig. <input type="checkbox"/> 9646T ..... THREADED OUTLET .....    | <input type="checkbox"/> 9646T -S    |
| Fig. <input type="checkbox"/> 9646Y ..... NO-HUB OUTLET .....      | <input type="checkbox"/> 9646Y -S    |

▲ Schedule 40 Regularly Furnished

**REGULARLY FURNISHED:**

14 Gauge Type 304 Stainless Steel Body with Diamond Plate, Secured Cover and ABS Closure Plug. Body Rim and Cover Polished to a No. 4 Finish.

**VARIATIONS:**

- Anchor Flange -F
- Flange & Flashing Clamp -FC
- Type 304 Stainless Steel Closure Plug -XPSS
- Vandal Proof Top -U
- Smooth Top -ST
- USDA Compliant

**OPTIONAL MATERIALS:**

- Type 316 Stainless Steel -316

**SUBJECT TO MANUFACTURING TOLERANCE AND CHANGE WITHOUT NOTICE.**

**NOTE:** Dimensions shown in parentheses are in millimeters.

REV.	DATE	DESCRIPTION	BY	CKD. BY	WEIGHT POUNDS	VOLUME CUBIC FEET	FIGURE NUMBER
							<b>9646/9646 -S</b>

# GENERAL PURPOSE FLOOR CLEANOUT 8" (203) ROUND & 8 1/2" (216) SQUARE

**FUNCTION:** General service cleanout for installation in finished and unfinished areas requiring high sanitation and corrosion resistance such as food processing plants, healthcare facilities, laboratories, breweries, dairies, creameries, bottling plants, commercial kitchens and pharmaceutical facilities.

DRAWING NUMBER: S9646/9646-S-BS

SCALE: NONE

DATE: 1-15-18

APPROVED BY: CEL

CHECKED BY: CL

DRAWN BY: TBW

FIGURE NUMBER: 9646/9646 -S-BS

DIMENSIONS ARE SUBJECT TO MANUFACTURERS TOLERANCE AND CHANGE WITHOUT NOTICE

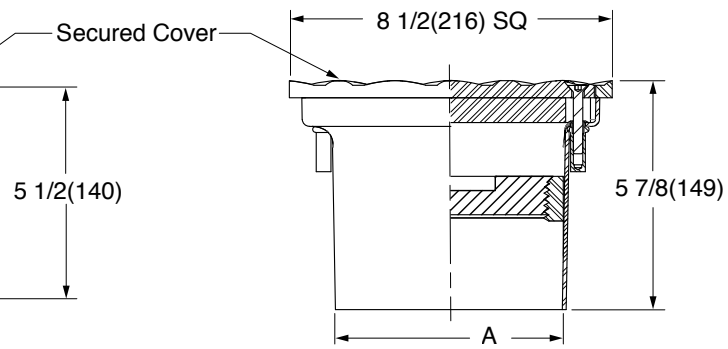
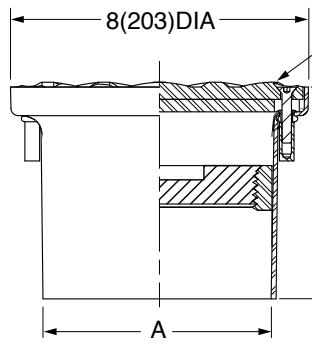
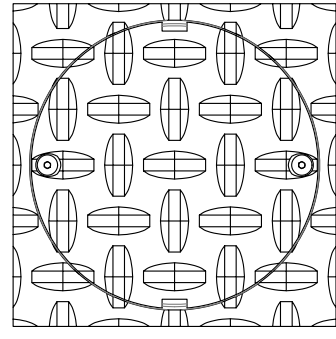
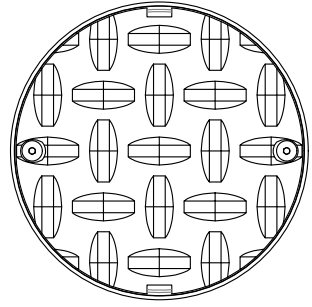
WE CAN ASSUME NO RESPONSIBILITY FOR USE OF SUPERSEDED OR VOID DATA



**USDA ACCEPTED**



ASME A112.36.2M &  
CSA B79  
Certified Heavy Duty  
Load Rating



A (Pipe Size) = 06(150)

- |   |   |
|---|---|
| <p><b>ROUND TOP</b></p> <p>Fig. <input type="checkbox"/> 9646BW ..... BUTTWELDED OUTLET .....</p> <p>Fig. <input type="checkbox"/> 9646T ..... THREADED OUTLET .....</p> <p>Fig. <input type="checkbox"/> 9646Y ..... NO-HUB OUTLET .....</p> | <p><b>SQUARE TOP</b></p> <p><input type="checkbox"/> 9646BW -S▲</p> <p><input type="checkbox"/> 9646T -S</p> <p><input type="checkbox"/> 9646Y -S</p> |
|---|---|

▲ Schedule 40 Regularly Furnished

**REGULARLY FURNISHED:**  
 14 Gauge Type 304 Stainless Steel Body with Diamond Plate, Secured Cover and HDPE Closure Plug. Body Rim and Cover Polished to a No. 4 Finish.

- VARIATIONS:**
- Anchor Flange -F
  - Flange & Flashing Clamp -FC
  - Type 304 Stainless Steel Closure Plug -XPSS
  - USDA Compliant

**OPTIONAL MATERIALS:**  
 Type 316 Stainless Steel -316

**SUBJECT TO MANUFACTURING TOLERANCE AND CHANGE WITHOUT NOTICE.**

**NOTE:** Dimensions shown in parentheses are in millimeters.

D	12-13-21	Added ASME and CSA numbers	KK	CL	WEIGHT	VOLUME	FIGURE NUMBER
C	11-14-21	Rev. Certified Duty Load Rating	KK	CL	POUNDS	CUBIC FEET	<b>9646/9646 -S-BS</b>
B	5-17-18	Revised Variations, Added Note	TBW	CL			
A	3-12-18	Added Note	TBW	CL			
REV.	DATE	DESCRIPTION	BY	CKD. BY			