



JAY R. SMITH MFG. CO.®
 MEMBER OF MORRIS GROUP INTERNATIONAL
 POST OFFICE BOX 3237
 MONTGOMERY, ALABAMA 36109-0237 (USA)
 TEL: 334-277-8520 FAX: 888-377-7818 www.jrsmith.com



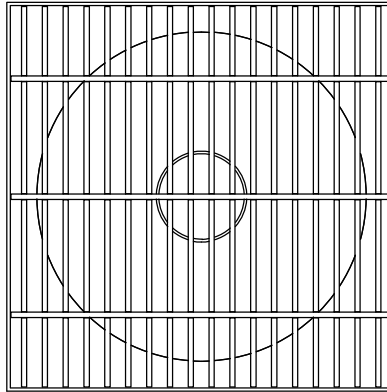
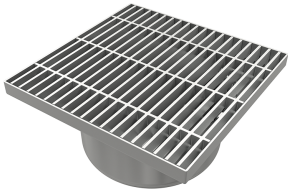
LOCATION

C
 DRAWING NUMBER
S9635-SBG - 9638-SBG
 SIZE
A
 SCALE:
NONE
 DATE:
7-10-14
 APPROVED BY:
JM
 CHECKED BY:
CL
 DRAWN BY:
TBW
9635 -SBG - 9638 -SBG
 FIGURE NUMBER

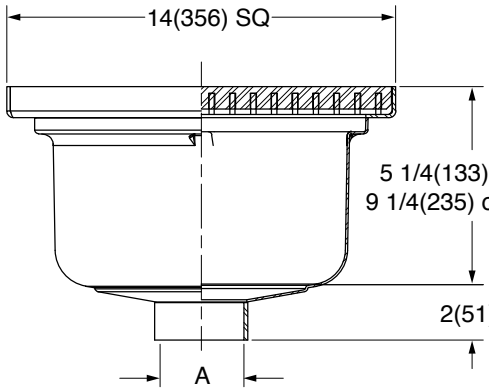
WE CAN ASSUME NO RESPONSIBILITY FOR USE OF SUPERSEDED OR VOID DATA
 DIMENSIONS ARE SUBJECT TO MANUFACTURERS TOLERANCE AND CHANGE WITHOUT NOTICE

GENERAL PURPOSE AREA/FLOOR DRAIN

14"(356) SQUARE TOP WITH BAR GRATE



FREE AREA
 136.7 SQ IN
 (881.93 SQ CM)



ASME A112.6.3 &
 CSA B79
 Certified Medium Duty
 Load Rating

A (Pipe Size) = 02(50), 03(75), 04(100) or 06(150)

5 1/4"(133) DEEP	7 1/4"(184) DEEP	9 1/4"(235) DEEP	11 1/4"(286) DEEP	
Fig. <input type="checkbox"/> 9635BW -SBG	Fig. <input type="checkbox"/> 9636BW -SBG	Fig. <input type="checkbox"/> 9637BW -SBG	Fig. <input type="checkbox"/> 9638BW -SBG	BUTTWELDED OUTLET ▲
Fig. <input type="checkbox"/> 9635T -SBG	Fig. <input type="checkbox"/> 9636T -SBG	Fig. <input type="checkbox"/> 9637T -SBG	Fig. <input type="checkbox"/> 9638T -SBG	THREADED OUTLET
Fig. <input type="checkbox"/> 9635Y -SBG	Fig. <input type="checkbox"/> 9636Y -SBG	Fig. <input type="checkbox"/> 9637Y -SBG	Fig. <input type="checkbox"/> 9638Y -SBG	NO-HUB OUTLET

▲Schedule 40 Regularly Furnished

REGULARLY FURNISHED:

14 Gauge Type 304 Stainless Steel Body and Loose Set Bar Grate with No. 4 Finish.

VARIATIONS:

- Anchor Flange -F
- Flange & Flashing Clamp -FC
- Sediment Bucket -B
- Dome Bottom Strainer -DBS
- 1/2"(13) Trap Primer Connection -P050

OPTIONAL MATERIALS:

- Type 316 Stainless Steel -316

SUBJECT TO MANUFACTURING TOLERANCE AND CHANGE WITHOUT NOTICE.

NOTE: Dimensions shown in parentheses are in millimeters.

C	12-13-21	Added ASME and CSA numbers	KK	CL	WEIGHT POUNDS	VOLUME CUBIC FEET	FIGURE NUMBER 9635 -SBG - 9638 -SBG
B	4-24-17	Added cUPC	TBW	CL			
A	8-16-16	Added Note	TBW	CL			
REV.	DATE	DESCRIPTION	BY	CKD. BY			