



JAY R. SMITH MFG. CO.
 MEMBER OF MORRIS GROUP INTERNATIONAL
 POST OFFICE BOX 3237
 MONTGOMERY, ALABAMA 36109-0237 (USA)
 TEL: 334-277-8520 FAX: 888-377-7818 www.jrsmith.com



LOCATION

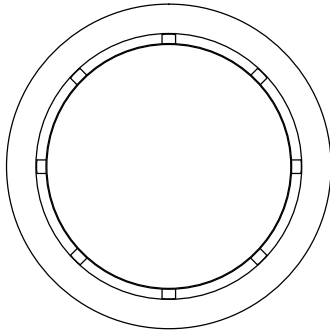
E
 DRAWING NUMBER
S9635-38-RF/9635-38-SRF
 SIZE
A
 SCALE:
NONE
 DATE:
7-8-14
 APPROVED BY:
JM
 CHECKED BY:
CL
 DRAWN BY:
TBW
 FIGURE NUMBER
9635 -RF - 9638 -SRF
9635 -SRF - 9638 -SRF

WE CAN ASSUME NO RESPONSIBILITY FOR USE OF SUPERSEDED OR VOID DATA

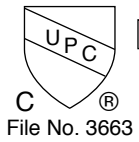
DIMENSIONS ARE SUBJECT TO MANUFACTURERS TOLERANCE AND CHANGE WITHOUT NOTICE

SPECIAL PURPOSE FLOOR DRAIN WITH SPECIAL DUTY RIM FLOW GRATE

14"(356) ROUND OR SQUARE TOP



-RF... ROUND TOP



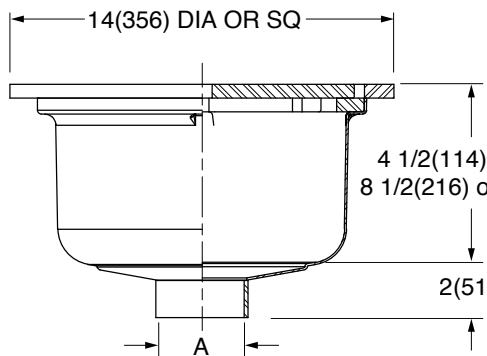
File No. 3663

USDA ACCEPTED

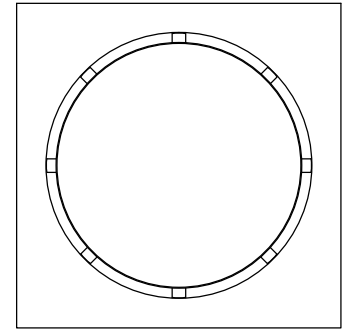


FREE AREA
 12 SQ IN
 (77.4 SQ CM)

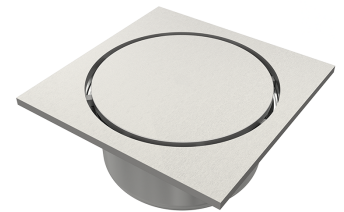
ASME A112.6.3 &
 CSA B79
 Certified Special Duty
 Load Rating



A (Pipe Size) = 02(50), 03(75), 04(100) or 06(150)



-SRF... SQUARE TOP



ROUND TOP		SQUARE TOP		ROUND TOP		SQUARE TOP	
4 1/2"(114) Deep Body		4 1/2"(114) Deep Body		6 1/2"(165) Deep Body		6 1/2"(165) Deep Body	
Fig. <input type="checkbox"/>	9635BW -RF	<input type="checkbox"/>	9635BW -SRF	<input type="checkbox"/>	9636BW -RF	<input type="checkbox"/>	9636BW -SRF
Fig. <input type="checkbox"/>	9635T -RF	<input type="checkbox"/>	9635T -SRF	<input type="checkbox"/>	9636T -RF	<input type="checkbox"/>	9636T -SRF
Fig. <input type="checkbox"/>	9635Y -RF	<input type="checkbox"/>	9635Y -SRF	<input type="checkbox"/>	9636Y -RF	<input type="checkbox"/>	9636Y -SRF
8 1/2"(216) Deep Body		8 1/2"(216) Deep Body		10 1/2"(267) Deep Body		10 1/2"(267) Deep Body	
Fig. <input type="checkbox"/>	9637BW -RF	<input type="checkbox"/>	9637BW -SRF	<input type="checkbox"/>	9638BW -RF	<input type="checkbox"/>	9638BW -SRF
Fig. <input type="checkbox"/>	9637T -RF	<input type="checkbox"/>	9637T -SRF	<input type="checkbox"/>	9638T -RF	<input type="checkbox"/>	9638T -SRF
Fig. <input type="checkbox"/>	9637Y -RF	<input type="checkbox"/>	9637Y -SRF	<input type="checkbox"/>	9638Y -RF	<input type="checkbox"/>	9638Y -SRF

▲Schedule 40 Regularly Furnished

REGULARLY FURNISHED:
 14 Gauge Type 304 Stainless Steel Body and Special Duty Loose Set Rim Flow Grate with No. 4 Finish.

- VARIATIONS:**
- Anchor Flange -F
 - Flange & Flashing Clamp -FC
 - Sediment Bucket -B
 - Dome Bottom Strainer -DBS
 - Bell Trap Bucket -BT
 - 1/2"(13) Trap Primer Connection -P050
 - Finger Hole in Center of Grate
 - USDA Compliant

OPTIONAL MATERIALS:
 Type 316 Stainless Steel -316

SUBJECT TO MANUFACTURING TOLERANCE AND CHANGE WITHOUT NOTICE.

NOTE: Dimensions shown in parentheses are in millimeters.

REV.	DATE	DESCRIPTION	BY	CKD. BY	WEIGHT POUNDS	VOLUME CUBIC FEET	FIGURE NUMBER
							9635 -RF - 9638 -RF 9635 -SRF - 9638 -SRF