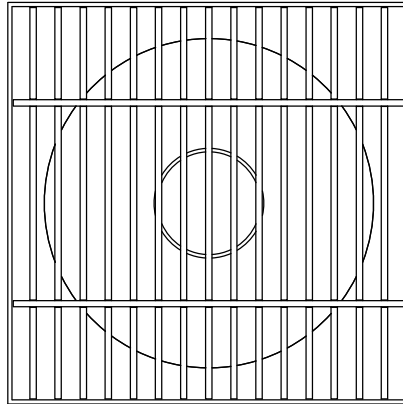
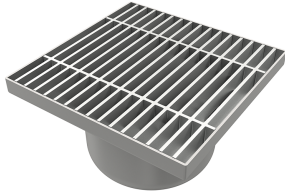


C  
 DRAWING NUMBER  
**S9630-SBG - 9632-SBG**  
 SIZE  
**A**  
 SCALE:  
**NONE**  
 DATE:  
**7-9-14**  
 APPROVED BY:  
**JM**  
 CHECKED BY:  
**CL**  
 DRAWN BY:  
**TBW**  
**9630 -SBG -9632 -SBG**  
 FIGURE NUMBER

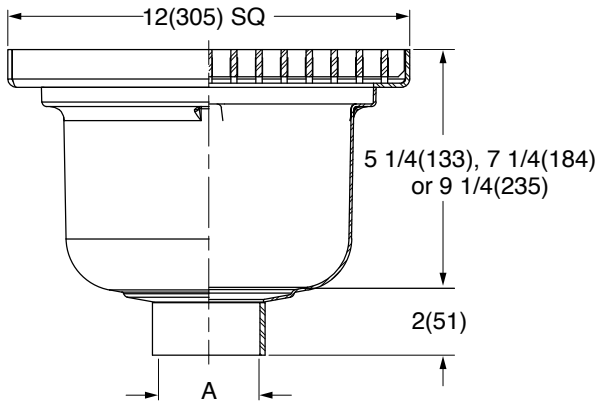
WE CAN ASSUME NO RESPONSIBILITY FOR USE OF SUPERSEDED OR VOID DATA  
 DIMENSIONS ARE SUBJECT TO MANUFACTURERS TOLERANCE AND CHANGE WITHOUT NOTICE

# GENERAL PURPOSE AREA/FLOOR DRAIN

## 12"(305) SQUARE TOP BAR GRATE



FREE AREA  
 101.5 SQ IN  
 (654.8 SQ CM)



A (Pipe Size) = 02(50), 03(75) or 04(100)



ASME A112.6.3 &  
 CSA B79  
 Certified Medium Duty  
 Load Rating

- |   |   |   |                         |
|---|---|---|-------------------------|
| 5 1/4"(133) DEEP                          | 7 1/4"(184) DEEP                          | 9 1/4"(235) DEEP                          |                         |
| Fig. <input type="checkbox"/> 9630BW -SBG | Fig. <input type="checkbox"/> 9631BW -SBG | Fig. <input type="checkbox"/> 9632BW -SBG | ..... BUTTWELD OUTLET ▲ |
| Fig. <input type="checkbox"/> 9630T -SBG  | Fig. <input type="checkbox"/> 9631T -SBG  | Fig. <input type="checkbox"/> 9632T -SBG  | ..... THREADED OUTLET   |
| Fig. <input type="checkbox"/> 9630Y -SBG  | Fig. <input type="checkbox"/> 9631Y -SBG  | Fig. <input type="checkbox"/> 9632Y -SBG  | ..... NO-HUB OUTLET     |

▲ Schedule 40 Regularly Furnished

**REGULARLY FURNISHED:**  
 14 Gauge Type 304 Stainless  
 Steel Body and Loose Set Bar  
 Grate with No. 4 Finish.

**VARIATIONS:**

- Anchor Flange -F
- Flange & Flashing Clamp -FC
- Sediment Bucket -B
- Dome Bottom Strainer -DBS
- 1/2"(13) Trap Primer Connection -P050

**OPTIONAL MATERIALS:**

- Type 316 Stainless Steel -316

**SUBJECT TO MANUFACTURING TOLERANCE AND CHANGE WITHOUT NOTICE.**

**NOTE:** Dimensions shown in parentheses are in millimeters.

REV.	DATE	DESCRIPTION	BY	CKD. BY	WEIGHT POUNDS	VOLUME CUBIC FEET	FIGURE NUMBER <b>9630 -SBG - 9632 -SBG</b>
C B A	12-13-21 4-24-17 8-16-16	Added ASME and CSA numbers Added cUPC Added Note	KK TBW TBW	CL CL CL			