



JAY R. SMITH MFG. CO.®
 MEMBER OF MORRIS GROUP INTERNATIONAL
 POST OFFICE BOX 3237
 MONTGOMERY, ALABAMA 36109-0237 (USA)
 TEL: 334-277-8520 FAX: 888-377-7818 www.jrsmith.com



LOCATION

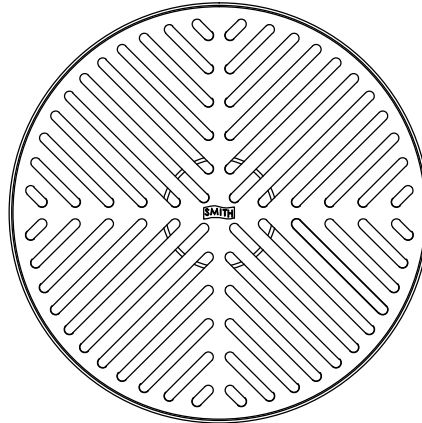
E
 DRAWING NUMBER S9630-9633
 SIZE A
 SCALE: NONE
 DATE: 7-8-14
 APPROVED BY: JM
 CHECKED BY: CL
 DRAWN BY: TBW
 FIGURE NUMBER 9630 - 9633

WE CAN ASSUME NO RESPONSIBILITY FOR USE OF SUPERSEDED OR VOID DATA

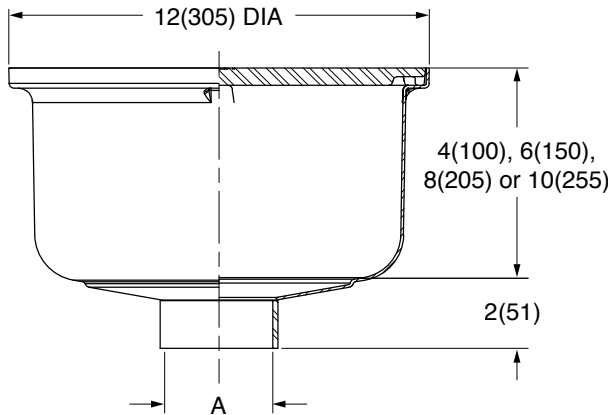
DIMENSIONS ARE SUBJECT TO MANUFACTURERS TOLERANCE AND CHANGE WITHOUT NOTICE

GENERAL PURPOSE FLOOR DRAIN

12"(305) ROUND TOP



FREE AREA
 42.38 SQ IN
 (273.42 SQ CM)



USDA ACCEPTED



ASME A112.6.3 &
 CSA B79
 Certified Light Duty
 Load Rating

A (Pipe Size) = 02(50), 03(75), 04(100) or 06(150)

	4"(100) DEEP	6"(150) DEEP	8"(205) DEEP	10"(255) DEEP	
Fig. <input type="checkbox"/> 9630BW	<input type="checkbox"/> 9631BW	<input type="checkbox"/> 9632BW	<input type="checkbox"/> 9633BW	<input type="checkbox"/> BUTTWELDED OUTLET ▲	
Fig. <input type="checkbox"/> 9630T	<input type="checkbox"/> 9631T	<input type="checkbox"/> 9632T	<input type="checkbox"/> 9633T	<input type="checkbox"/> THREADED OUTLET	
Fig. <input type="checkbox"/> 9630Y	<input type="checkbox"/> 9631Y	<input type="checkbox"/> 9632Y	<input type="checkbox"/> 9633Y	<input type="checkbox"/> NO-HUB OUTLET	

▲ Schedule 40 Regularly Furnished

REGULARLY FURNISHED:

14 Gauge Type 304 Stainless Steel
 Body and Loose Set Heel Proof
 Slotted Grate with No. 4 Finish.

VARIATIONS:

- Anchor Flange -F
- Flange & Flashing Clamp -FC
- Sediment Bucket -B
- Dome Bottom Strainer -DBS
- Vandal Proof Grate -U
- 1/2"(13) Trap Primer
- Connection -P050
- USDA Compliant

OPTIONAL MATERIALS:

- Type 316 Stainless Steel -316

SUBJECT TO MANUFACTURING TOLERANCE AND CHANGE WITHOUT NOTICE.

NOTE: Dimensions shown in parentheses are in millimeters.

E	12-13-21	Added ASME and CSA numbers	KK	CL	WEIGHT POUNDS	VOLUME CUBIC FEET	FIGURE NUMBER 9630 - 9633
D	6-9-2020	Revised Regularly Furnished	MW	CL			
C	5-17-18	Revised Variations, Added Note	TBW	CL			
B	4-24-17	Added cUPC	TBW	CL			
REV.	DATE	DESCRIPTION	BY	CKD. BY			