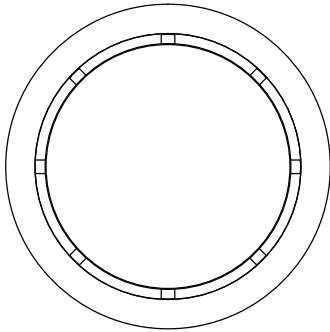


E
 DRAWING NUMBER
S9630-32-RF/9630-32-SRF
 SIZE
A
 SCALE:
NONE
 DATE:
7-8-14
 APPROVED BY:
JM
 CHECKED BY:
CL
 DRAWN BY:
TBW
 FIGURE NUMBER
9630 -RF - 9632 -SRF
9630 -SRF - 9632 -SRF

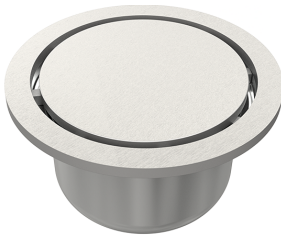
WE CAN ASSUME NO RESPONSIBILITY FOR USE OF SUPERSEDED OR VOID DATA
 DIMENSIONS ARE SUBJECT TO MANUFACTURERS TOLERANCE AND CHANGE WITHOUT NOTICE

SPECIAL PURPOSE FLOOR DRAIN WITH SPECIAL DUTY RIM FLOW GRATE

12"(305) ROUND OR SQUARE TOP



-RF... ROUND TOP

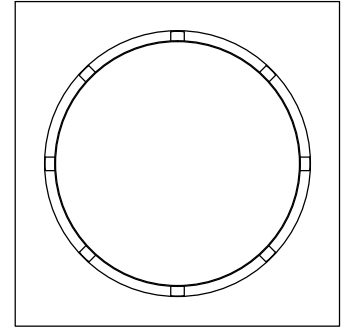


USDA ACCEPTED

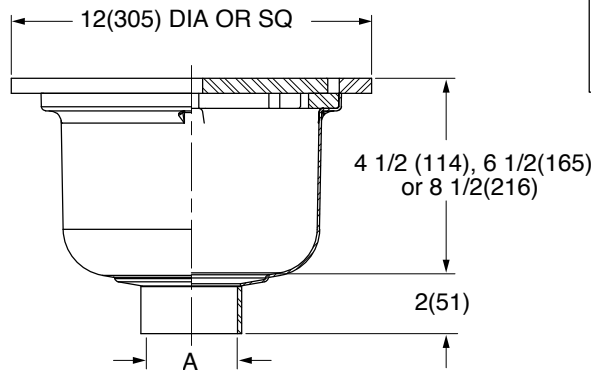
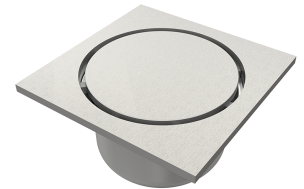
FREE AREA
 9.7 SQ IN
 (62.6 SQ CM)



ASME A112.6.3 &
 CSA B79
 Certified Special Duty
 Load Rating



-SRF... SQUARE TOP



A (Pipe Size) = 02(50), 03(75) or 04(100)

ROUND TOP **SQUARE TOP**
 4 1/2"(114) Deep Body

- | | | | | |
|-------------------------------|------------------|--------------------------|-------------------|--|
| Fig. <input type="checkbox"/> | 9630BW -RF | <input type="checkbox"/> | 9630BW -SRF | BUTTWELD OUTLET (Schedule 40 Regularly Furnished) |
| Fig. <input type="checkbox"/> | 9630T -RF | <input type="checkbox"/> | 9630T -SRF | THREADED OUTLET |
| Fig. <input type="checkbox"/> | 9630Y -RF | <input type="checkbox"/> | 9630Y -SRF | NO-HUB OUTLET |

6 1/2"(165) Deep Body

- | | | | | |
|-------------------------------|------------------|--------------------------|-------------------|--|
| Fig. <input type="checkbox"/> | 9631BW -RF | <input type="checkbox"/> | 9631BW -SRF | BUTTWELD OUTLET (Schedule 40 Regularly Furnished) |
| Fig. <input type="checkbox"/> | 9631T -RF | <input type="checkbox"/> | 9631T -SRF | THREADED OUTLET |
| Fig. <input type="checkbox"/> | 9631Y -RF | <input type="checkbox"/> | 9631Y -SRF | NO-HUB OUTLET |

8 1/2"(216) Deep Body

- | | | | | |
|-------------------------------|------------------|--------------------------|-------------------|--|
| Fig. <input type="checkbox"/> | 9632BW -RF | <input type="checkbox"/> | 9632BW -SRF | BUTTWELD OUTLET (Schedule 40 Regularly Furnished) |
| Fig. <input type="checkbox"/> | 9632T -RF | <input type="checkbox"/> | 9632T -SRF | THREADED OUTLET |
| Fig. <input type="checkbox"/> | 9632Y -RF | <input type="checkbox"/> | 9632Y -SRF | NO-HUB OUTLET |

REGULARLY FURNISHED:
 14 Gauge Type 304 Stainless
 Steel Body and Special Duty
 Loose Set Rim Flow Grate
 with No. 4 Finish.

VARIATIONS:

- Anchor Flange -F
- Flange & Flashing Clamp -FC
- Sediment Bucket -B
- Dome Bottom Strainer -DBS
- Bell Trap Bucket -BT
- 1/2"(13) Trap Primer
- Connection -P050
- Finger Hole in Center of Grate
- USDA Compliant

OPTIONAL MATERIALS:

- Type 316 Stainless Steel -316

**SUBJECT TO MANUFACTURING TOLERANCE
 AND CHANGE WITHOUT NOTICE.**

NOTE: Dimensions shown in
 parentheses are in millimeters.

REV.	DATE	DESCRIPTION	BY	CKD. BY	WEIGHT POUNDS	VOLUME CUBIC FEET	FIGURE NUMBER
E	12-13-21	Added ASME and CSA numbers	KK				9630 -RF - 9632 -RF 9630 -SRF - 9632 -SRF
D	5-17-18	Revised Variations, Added Note	TBW				
C	4-24-17	Added cUPC	TBW				
B	8-16-16	Added Note, Rev. Reg. Furn.	TBW				