



**JAY R. SMITH MFG. CO.**  
 MEMBER OF MORRIS GROUP INTERNATIONAL  
 POST OFFICE BOX 3237  
 MONTGOMERY, ALABAMA 36109-0237 (USA)  
 TEL: 334-277-8520 FAX: 888-377-7818 www.jrsmith.com



LOCATION

E

DRAWING NUMBER  
S9620-9622

SIZE  
A

SCALE:  
NONE

DATE:  
7-21-14

APPROVED BY:  
JM

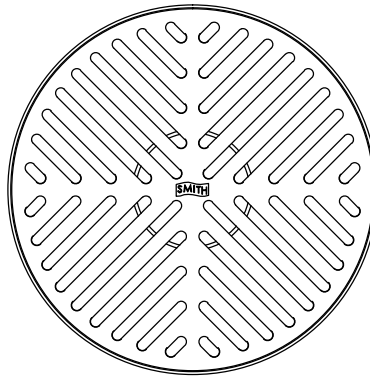
CHECKED BY:  
CL

DRAWN BY:  
TBW

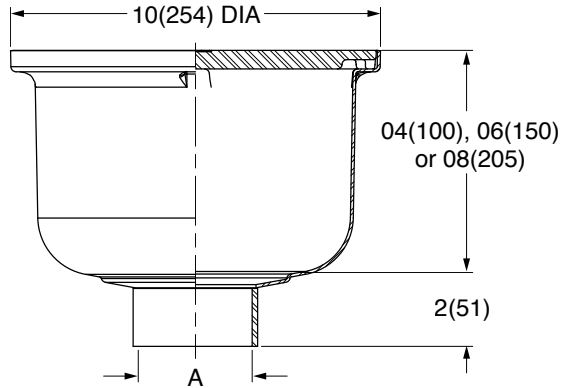
WE CAN ASSUME NO RESPONSIBILITY FOR USE OF SUPERSEDED OR VOID DATA

# GENERAL PURPOSE FLOOR DRAIN

## 10"(254) ROUND TOP



FREE AREA  
23.82 SQ IN  
(153.67 SQ CM)



A (Pipe Size) = 02(50), 03(75) or 04(100)



**USDA ACCEPTED**



ASME A112.6.3 &  
CSA B79  
Certified Light Duty  
Load Rating

	4"(100) DEEP	6"(150) DEEP	8"(205) DEEP	
Fig. <input type="checkbox"/>	9620BW	<input type="checkbox"/> 9621BW	<input type="checkbox"/> 9622BW	<b>BUTTWELDED OUTLET ▲</b>
Fig. <input type="checkbox"/>	9620T	<input type="checkbox"/> 9621T	<input type="checkbox"/> 9622T	<b>THREADED OUTLET</b>
Fig. <input type="checkbox"/>	9620Y	<input type="checkbox"/> 9621Y	<input type="checkbox"/> 9622Y	<b>NO-HUB OUTLET</b>

▲ Schedule 40 Regularly Furnished

**REGULARLY FURNISHED:**  
 14 Gauge Type 304 Stainless  
 Steel Body and Loose Set Heel  
 Proof Slotted Grate with No. 4  
 Finish.

**VARIATIONS:**

- Anchor Flange -F
- Flange & Flashing Clamp -FC
- Sediment Bucket -B
- Dome Bottom Strainer -DBS
- Vandal Proof Grate -U
- 1/2"(13) Trap Primer  
Connection -P050
- USDA Compliant

**OPTIONAL MATERIALS:**

- Type 316 Stainless Steel -316

**SUBJECT TO MANUFACTURING TOLERANCE  
AND CHANGE WITHOUT NOTICE.**

**NOTE:** Dimensions shown in  
parentheses are in millimeters.

**9620 - 9622**

FIGURE  
NUMBER

E	D	12-13-21	Added ASME and CSA numbers	KK	CL	WEIGHT POUNDS	VOLUME CUBIC FEET	<b>FIGURE NUMBER</b> <b>9620 - 9622</b>
D	C	6-9-2020	Revised Regularly Furnished	MW	CL			
C	B	5-17-18	Revised Variations, Added Note	TBW	CL			
B		4-24-17	Added cUPC	TBW	CL			
REV.	DATE	DESCRIPTION	BY	CKD. BY				