



**JAY R. SMITH MFG. CO.**  
 MEMBER OF MORRIS GROUP INTERNATIONAL  
 POST OFFICE BOX 3237  
 MONTGOMERY, ALABAMA 36109-0237 (USA)  
 TEL: 334-277-8520 FAX: 888-377-7818 www.jrsmith.com



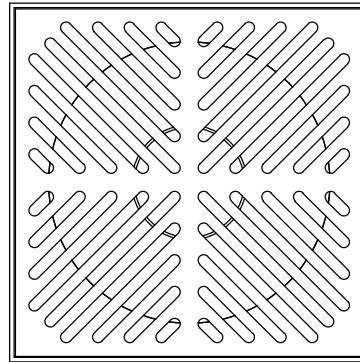
LOCATION

E  
 DRAWING NUMBER  
 S9620-S/9621-S  
 SIZE  
 A  
 SCALE:  
 NONE  
 DATE:  
 7-21-14  
 APPROVED BY:  
 JM  
 CHECKED BY:  
 CL  
 DRAWN BY:  
 TBW  
 FIGURE NUMBER  
 9620 -S/9621 -S

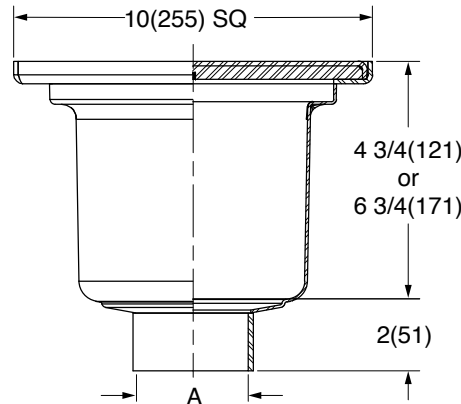
WE CAN ASSUME NO RESPONSIBILITY FOR USE OF SUPERSEDED OR VOID DATA  
 DIMENSIONS ARE SUBJECT TO MANUFACTURERS TOLERANCE AND CHANGE WITHOUT NOTICE

# GENERAL PURPOSE FLOOR DRAIN

10"(255) SQUARE TOP



FREE AREA  
 32.88 SQ IN  
 (212.13 SQ CM)



A (Pipe Size) = 02(50), 03(75) or 04(100)



**USDA ACCEPTED**



ASME A112.6.3 &  
 CSA B79  
 Certified Light Duty  
 Load Rating

- 4 3/4 (121) DEEP BODY
- Fig. 9620BW -S ..... BUTTWELD OUTLET (Schedule 40 Regularly Furnished)
- Fig. 9620T -S ..... THREADED OUTLET
- Fig. 9620Y -S ..... NO-HUB OUTLET
- 6 3/4 (171) DEEP BODY
- Fig. 9621BW -S ..... BUTTWELD OUTLET (Schedule 40 Regularly Furnished)
- Fig. 9621T -S ..... THREADED OUTLET
- Fig. 9621Y -S ..... NO-HUB OUTLET

**REGULARLY FURNISHED:**  
 14 Gauge Type 304 Stainless Steel Body and Loose Set Heel Proof Slotted Grate with No. 4 Finish.

- VARIATIONS:**
- Anchor Flange -F
  - Flange & Flashing Clamp -FC
  - Sediment Bucket -B
  - Dome Bottom Strainer -DBS
  - Vandal Proof Grate -U
  - 1/2"(13) Trap Primer Connection -P050
  - USDA Compliant

- OPTIONAL MATERIALS:**
- Type 316 Stainless Steel -316

**SUBJECT TO MANUFACTURING TOLERANCE AND CHANGE WITHOUT NOTICE.**

**NOTE:** Dimensions shown in parentheses are in millimeters.

E	12-13-21	Added ASME and CSA numbers	KK	CL	WEIGHT POUNDS	VOLUME CUBIC FEET	<b>FIGURE NUMBER</b>  <b>9620 -S/9621 -S</b>
D	6-9-2020	Revised Regularly Furnished	MW	CL			
C	5-17-18	Revised Variations, Added Note	TBW	CL			
B	4-24-17	Added cUPC	TBW	CL			
REV.	DATE	DESCRIPTION	BY	CKD. BY			