

E



JAY R. SMITH MFG. CO.
 MEMBER OF MORRIS GROUP INTERNATIONAL
 POST OFFICE BOX 3237
 MONTGOMERY, ALABAMA 36109-0237 (USA)
 TEL: 334-277-8520 FAX: 888-377-7818 www.jrsmith.com



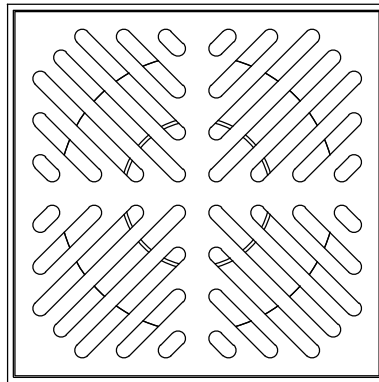
MEMBER OF:



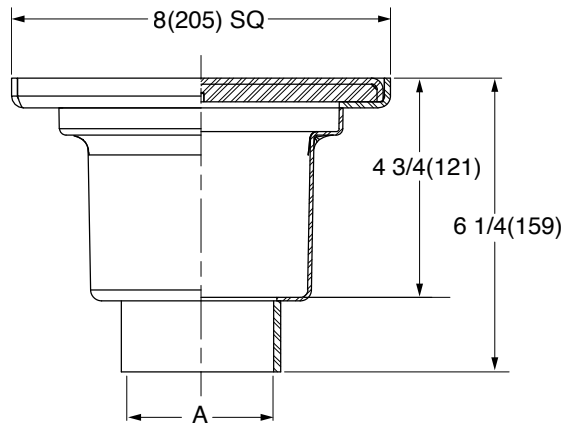
LOCATION

GENERAL PURPOSE FLOOR DRAIN

8"(205) SQUARE TOP



FREE AREA
 18.58 SQ IN
 (119.88 SQ CM)



USDA ACCEPTED



ASME A112.6.3 &
 CSA B79
 Certified Medium Duty
 Load Rating



A (Pipe Size) = 02(50), 03(75) or 04(100)

- Fig. 9614BW -S **BUTTWELDED OUTLET** (Schedule 40 Regularly Furnished)
- Fig. 9614T -S **THREADED OUTLET**
- Fig. 9614Y -S **NO-HUB OUTLET**

REGULARLY FURNISHED:
 14 Gauge Type 304 Stainless
 Steel Body and Loose Set
 Heel Proof Slotted Grate with
 No. 4 Finish.

VARIATIONS:

- Anchor Flange -F
- Flange & Flashing Clamp -FC
- Sediment Bucket -B
- Vandal Proof Grate -U
- 1/2"(13) Trap Primer
 Connection -P050
- USDA Compliant

OPTIONAL MATERIALS:

- Type 316 Stainless Steel -316

**SUBJECT TO MANUFACTURING TOLERANCE
 AND CHANGE WITHOUT NOTICE.**

NOTE: Dimensions shown in
 parentheses are in millimeters.

DRAWING NUMBER
S9614-S

SIZE
A

SCALE:
NONE

DATE:
7-17-14

APPROVED BY:
JM

CHECKED BY:
CL

DRAWN BY:
TBW

FIGURE NUMBER
9614 -S

WE CAN ASSUME NO RESPONSIBILITY FOR USE OF SUPERSEDED OR VOID DATA
 DIMENSIONS ARE SUBJECT TO MANUFACTURERS TOLERANCE AND CHANGE WITHOUT NOTICE

| | | | | | | | |
|------|----------|--------------------------------|-----|---------|------------------|----------------------|--|
| E | 12-13-21 | Added ASME and CSA numbers | KK | CL | WEIGHT POUNDS | VOLUME CUBIC FEET | FIGURE NUMBER 9614 -S |
| D | 6-9-2020 | Revised Regularly Furnished | MW | CL | | | |
| C | 5-16-18 | Revised Variations, Added Note | TBW | CL | | | |
| B | 4-24-17 | Added cUPC | TBW | CL | | | |
| REV. | DATE | DESCRIPTION | BY | CKD. BY | | | |