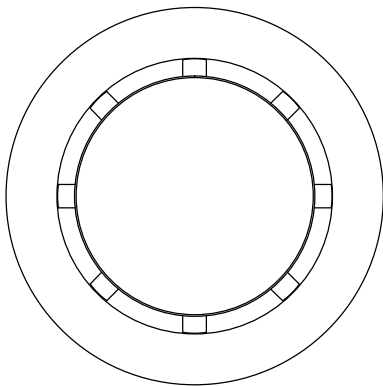
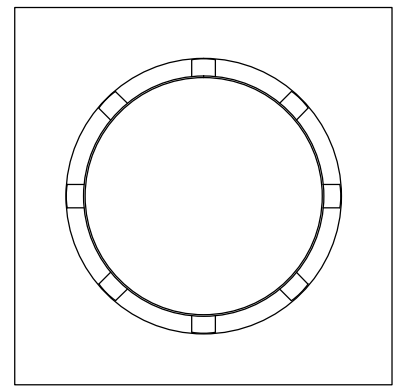


SPECIAL PURPOSE FLOOR DRAIN WITH SPECIAL DUTY RIM FLOW GRATE

8" (205) ROUND OR SQUARE TOP

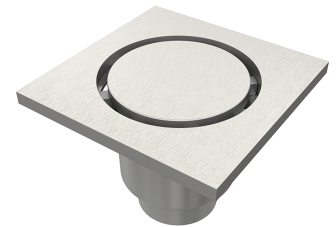
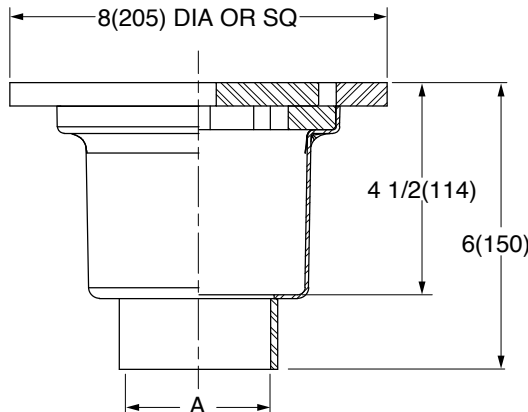


-RF..... ROUND TOP



-SRF..... SQUARE TOP

FREE AREA
5 SQ IN
(32.25 SQ CM)



A (Pipe Size) = 02(50), 03(75) or 04(100)

USDA ACCEPTED



ASME A112.6.3 &
CSA B79
Certified Special Duty
Load Rating



- | | | |
|-------------------------------|------------------|---|
| | ROUND TOP | SQUARE TOP |
| Fig. <input type="checkbox"/> | 9614BW -RF | <input type="checkbox"/> 9614BW -SRF..... |
| Fig. <input type="checkbox"/> | 9614T -RF | <input type="checkbox"/> 9614T -SRF..... |
| Fig. <input type="checkbox"/> | 9614Y -RF | <input type="checkbox"/> 9614Y -SRF |
- ▲ Schedule 40 Regularly Furnished

REGULARLY FURNISHED:
14 Gauge Type 304 Stainless
Steel Body and Special Duty
Loose Set Rim Flow Grate with
No. 4 Finish.

- VARIATIONS:**
- Anchor Flange -F
 - Flange & Flashing Clamp -FC
 - Sediment Bucket -B
 - Bell Trap & Bucket -BT
 - 1/2"(13) Trap Primer Connection -P050
 - Finger Hole in Center of Grate
 - USDA Compliant

- OPTIONAL MATERIALS:**
- Type 316 Stainless Steel -316

SUBJECT TO MANUFACTURING TOLERANCE AND CHANGE WITHOUT NOTICE.

NOTE: Dimensions shown in parentheses are in millimeters.

DRAWING NUMBER: S9614-RF/9614-SRF
SIZE: A
SCALE: NONE
DATE: 7-17-14
APPROVED BY: JM
CHECKED BY: CL
DRAWN BY: TBW
FIGURE NUMBER: 9614 -RF/9614 -SRF

WE CAN ASSUME NO RESPONSIBILITY FOR USE OF SUPERSEDED OR VOID DATA
DIMENSIONS ARE SUBJECT TO MANUFACTURERS TOLERANCE AND CHANGE WITHOUT NOTICE

E D C B	12-13-21 5-16-18 4-24-17 8-16-16	Added ASME and CSA numbers Revised Variations, Added Note Added cUPC Added Note, Rev. Reg. Furn.	KK TBW TBW TBW	CL CL CL CL	WEIGHT POUNDS	VOLUME CUBIC FEET	FIGURE NUMBER 9614 -RF 9614 -SRF
REV.	DATE	DESCRIPTION	BY	CKD. BY			