



SMITH  
**FLUID**  
CONTROLS®

**JAY R. SMITH MFG. CO.®**  
MEMBER OF MORRIS GROUP INTERNATIONAL  
POST OFFICE BOX 3237  
MONTGOMERY, ALABAMA 36109-0237 (USA)  
TEL: 334-277-8520 FAX: 888-377-7818 www.jrsmith.com

LOCATION

# DIELECTRIC NIPPLES

**Product Description:** 950 Dielectric fittings protect your plumbing system through an exclusive steel-to-plastic design that establishes an effective dielectric waterway. The 950 Dielectric fittings separates dissimilar metals in the electrolyte (waterway) eliminating the local galvanic cell. In addition, 950 Dielectric fittings metal-to-metal joint design maintains external electrical continuity, thereby preventing stray current corrosion. This feature becomes critical when stray current is present due to intentional or non-intentional grounding of direct current (DC) sources, e.g. phone systems and appliances. 950 Dielectric fittings are designed to meet the requirements of ASTM standard F-1545 for continuous use at temperatures up to +225°F (- +5°F) and for pressures up to 300 psi, and will achieve a dielectric waterway in all potable water and appropriate HVAC applications.

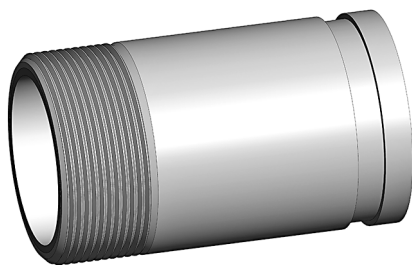
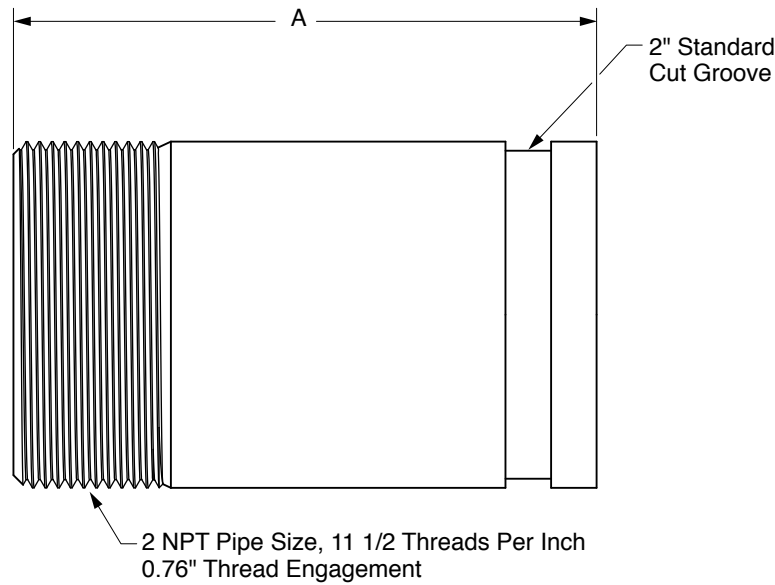


FIG. NO.	OUTLETS	A-LENGTH
950-GT1	Grooved X Thread 1"	4"(100)
950-GT125	Grooved X Thread 1 1/4"	4"(100)
950-GT150	Grooved X Thread 1 1/2"	4"(100)
950-GT2	Grooved X Thread 2"	4"(100)
950-GT250	Grooved X Thread 2 1/2"	6"(152)
950-GT3	Grooved X Thread 3"	6"(152)
950-GT4	Grooved X Thread 4"	6"(152)

**NOTE:** The wetted surface of the product contacted by consumable water contributes less than one percent of lead by weight.

**NOTE:** Dimensions shown in parentheses are in millimeters.

DRAWING NUMBER: **A** SIZE: **A** SCALE: **NONE** DATE: **1-8-19** APPROVED BY: **JM** CHECKED BY: **JM** DRAWN BY: **TBW**  
**950-GxT SERIES**  
 DIMENSIONS ARE SUBJECT TO MANUFACTURERS TOLERANCE AND CHANGE WITHOUT NOTICE  
 WE CAN ASSUME NO RESPONSIBILITY FOR USE OF SUPERSEDED OR VOID DATA

FIGURE NUMBER	A	8-20-19	Revised Figure Number	MW	JM	WEIGHT POUNDS	VOLUME CUBIC FEET	FIGURE NUMBER
REV.	DATE	DESCRIPTION	BY	CKD. BY				<b>950-GxT SERIES</b>