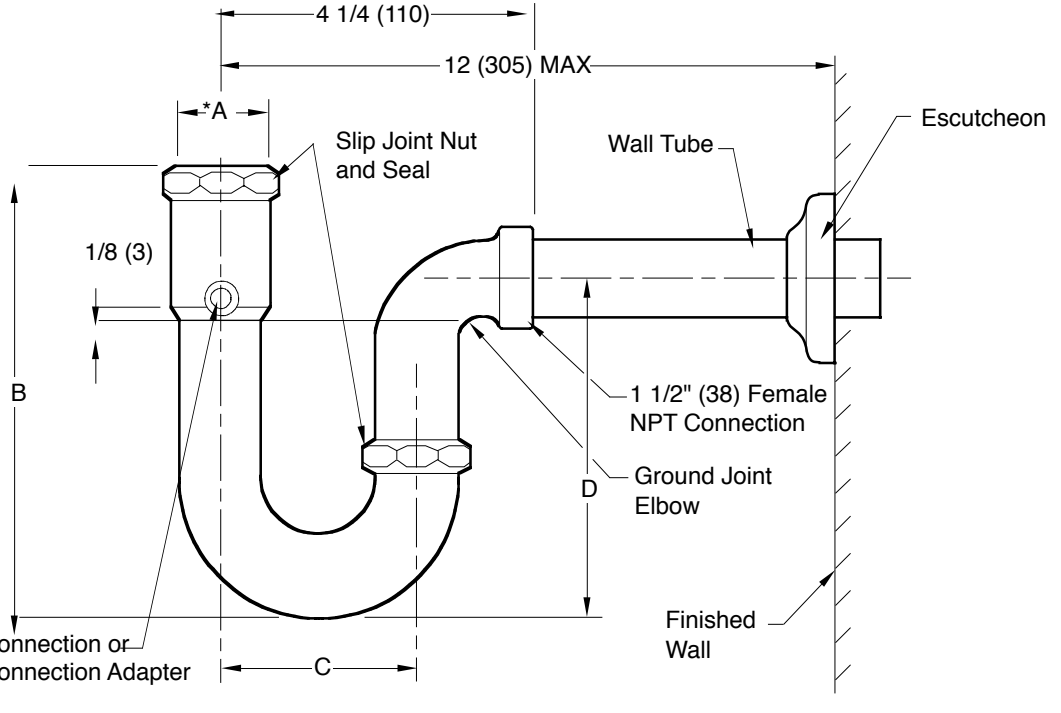


CONDENSATE TRAP



1/2" (13) Condensate Connection or 3/4" (19) Condensate Connection Adapter where Code Permitted.

A (INLET SIZE)	B	C	D
0125/1 1/4" (35) or 0150/1 1/2" (40)	6 (150)	2 7/8 (73)	5 (125)

*1 1/4 (32) and 1 1/2 (38) slip joint nuts are provided to accommodate the appropriate fixture tail piece. Ground joint elbow is threaded 1 1/2 (38) NPT.

REGULARLY FURNISHED:

Satin Chrome Plated Cast Bronze P-Trap with Ground Joint Outlet, Threaded Wall Tube, Slip Joint Nuts, Washer, Escutcheon, and 1/2(13) NPT Condensate Connection.

VARIATIONS:

3/4"(19) Condensate Connection Adapter

OPTIONAL MATERIALS:

Polished Chrome Plated Cast Bronze P-Trap -CP

NOTE: Dimensions shown in parentheses are in millimeters.

DRAWING NUMBER
S9200

SIZE
A

SCALE:
NONE

DATE:
9-6-85

APPROVED BY:
JM

CHECKED BY:
WH

DRAWN BY:
CM

FIGURE NUMBER
9200

WE CAN ASSUME NO RESPONSIBILITY FOR USE OF SUPERSEDED OR VOID DATA

DIMENSIONS ARE SUBJECT TO MANUFACTURERS TOLERANCE AND CHANGE WITHOUT NOTICE

Q P N M	8-31-21 11-30-17 7-2-97 12-4-95	Removed Function Added Variations Delete Var. & Chg Reg Furn Chg'd Reg Furn	KK TBW EMB EMB	JM TWK CL BS	WEIGHT POUNDS	VOLUME CUBIC FEET	FIGURE NUMBER 9200
REV.	DATE	DESCRIPTION	BY	CKD. BY			