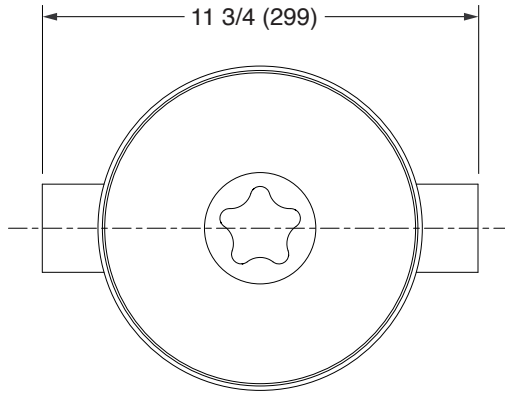
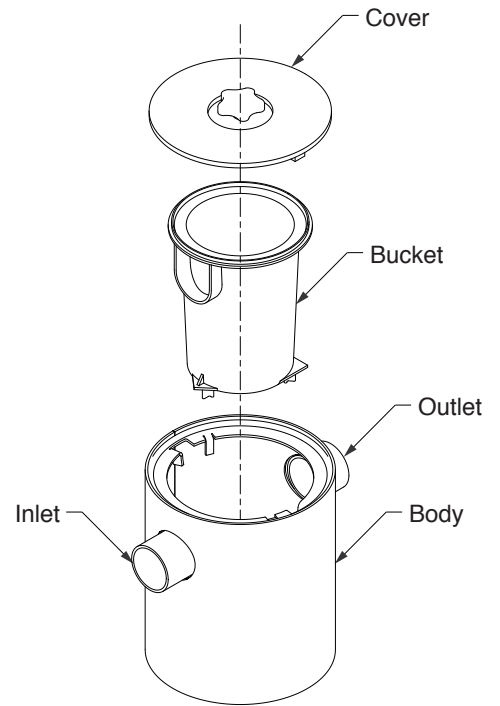
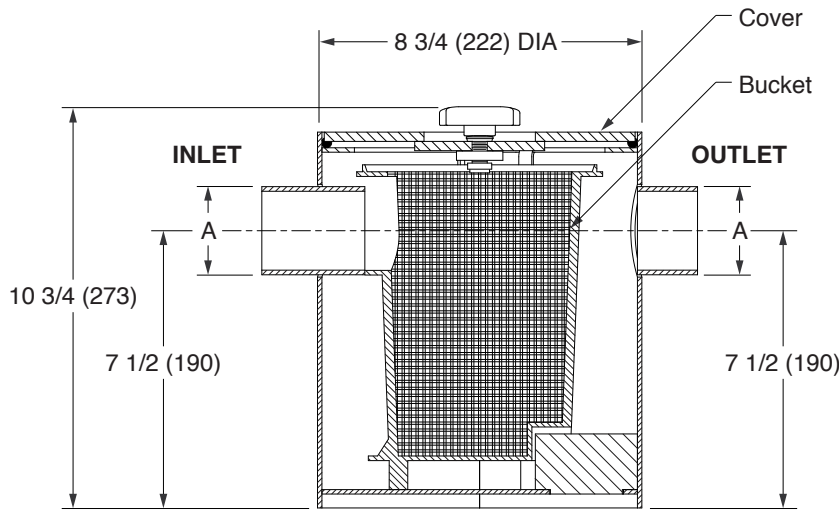


RETROFIT INLINE SOLIDS INTERCEPTOR

FUNCTION: Provides a means of collecting food solids before entering the drain line going to a grease interceptor.



NOTE: Allow 9 (230) of clearance above interceptor for bucket removal.



A (Pipe Size) = 02 (50)

Fig. 8981Y02.....NO HUB Connections

REGULARLY FURNISHED:
 Fabricated Steel Body with
 Screw Latch Cover and
 Perforated Plastic Bucket.

OPTIONAL MATERIALS:
 Stainless Steel Body -SS

NOTE: Must be installed in an easily accessed area. This solids interceptor is for above floor (non-recessed) installations only.

NOTE: Dimensions shown in Parentheses are in millimeters.

DRAWING NUMBER
8981

SIZE
A

SCALE:
NONE

DATE:
03/25/09

APPROVED BY:
CR

CHECKED BY:
CL

DRAWN BY:
JJ

FIGURE NUMBER
8981

WE CAN ASSUME NO RESPONSIBILITY FOR USE OF SUPERSEDED OR VOID DATA

DIMENSIONS ARE SUBJECT TO MANUFACTURERS TOLERANCE AND CHANGE WITHOUT NOTICE

REV.	DATE	DESCRIPTION	BY	CKD. BY

WEIGHT
POUNDS

VOLUME
CUBIC FEET

FIGURE NUMBER
8981