

SOLIDS INTERCEPTORS

SUSPENDED TYPE

FUNCTION: Compact design makes this unit particularly adaptable for use directly under the fixture in place of the regular "P" trap. Unit will intercept all types of solids and precious metals. Interceptor is cleaned and inspected by removing bottom sediment strainer plate and dropping entire assembly.

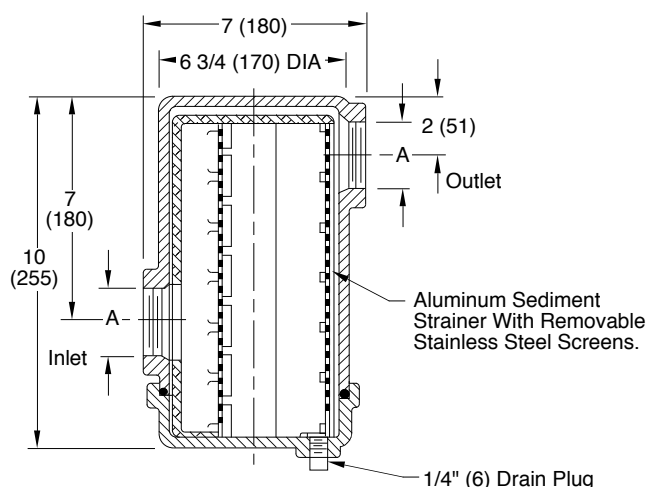


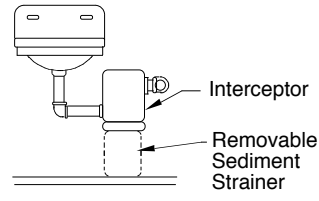
Fig. 8730T
 A (Pipe Size) = 0150 (40) or 02 (50)

NOTE: Allow 8 1/2" (215) below interceptor for removal of strainer.
NOTE: It is the responsibility of the installer to check all parts (internal and external) to verify they are in their proper operating order and location.

REGULARLY FURNISHED:
 White Duco Coated Cast Iron Body
 and Aluminum Strainer with
 Removable Stainless Steel Screens.

- OPTIONAL MATERIALS:**
- Acid Resistant Coating Inside - ARI
 - Acid Resistant Coating Outside - ARO
 - Acid Resistant Coating Inside and Outside - ARIO
 - Aluminum Body -AA
 - All ABS (Specify Fig. 8730-ABS)

TYPICAL INSTALLATION



SUSPENDED TYPE INSTALLATION

NOTE: Dimensions shown in parentheses are in millimeters.

DRAWING NUMBER: S8730
 SIZE: A
 SCALE: NONE
 DATE: 12-11-84
 APPROVED BY: KG
 CHECKED BY: VGD
 DRAWN BY: PJ
 FIGURE NUMBER: 8730

WE CAN ASSUME NO RESPONSIBILITY FOR USE OF SUPERSEDED OR VOID DATA

C	7-11-03	Revised Optional Materials	RN	CL	WEIGHT POUNDS	VOLUME CUBIC FEET	FIGURE NUMBER
B	3-14-96	Added Millimeters	EMB	BS			8730
A	9-14-94	Submittal Update	CMB	BS			
REV.	DATE	DESCRIPTION	BY	CKD. BY			