

INTERCEPTORS

TAG _____

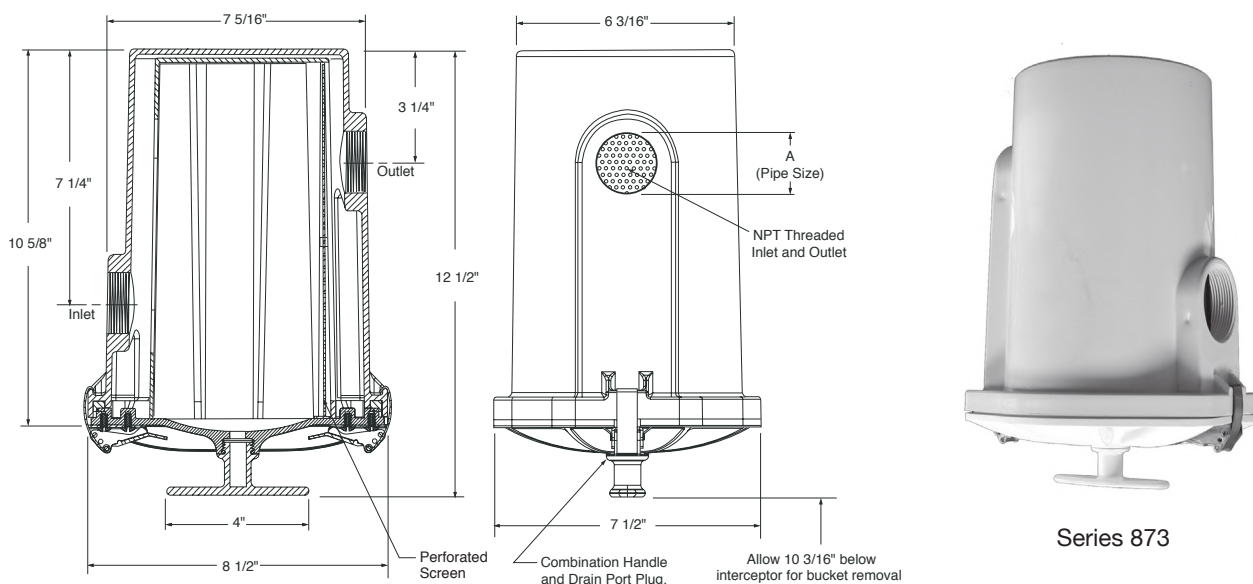
800 Series



Compact ABS Suspended Solids Interceptor, Series 873

Product Description: Designed for use in place of a regular “P” trap. This unit is ideal for dental offices or similar establishments to collect solids such as metal chips, plaster and stones before entering the drain line. This solid interceptor is compact enough to be mounted directly under a fixture. The unit is cleaned and inspected by removing bottom sediment strainer plate and dropping the entire assembly out of the body.

Features and Benefits:

- Prevents line stoppage
- Intercepts precious metals, metal chips, plaster, stones as well as other harmful debris
- Mounts directly under a fixture
- Ideal for a dental office, jeweler, hospitals, veterinarian or similar enterprise
- Furnished with all white ABS body, gasket cover with stainless steel latch and a removable sediment bucket with perforated screen (3/32” in diameter)
- IAPMO Listed, File No. 5390



Series Number	Pipe Size
 873-T0150	1-1/2"
 873-T02	2"

NOTE: Dimensional data is subject to manufacturing tolerances and change without notice.



A Product of:
JAY R. SMITH MFG. CO.
DIVISION OF SMITH INDUSTRIES, INC.
www.jrsmith.com

SERIES 873
 SPM 1013
 11/14

