

# SOLIDS INTERCEPTORS

## FLUSH WITH FLOOR OR ON THE FLOOR TYPE

**FUNCTION:** Provides a means of collecting solids such as metal chips, plaster and stones before entering the drain line preventing line stoppage. Fig. 8714 small capacity interceptor is ideal for dental offices or similar establishments where the unit can be mounted directly under the sink to recover precious metals as well as intercept harmful debris. Fig. 8714 has an internal deep seal trap and is cleaned by removing cover and lifting sediment bucket vertically out of the body.

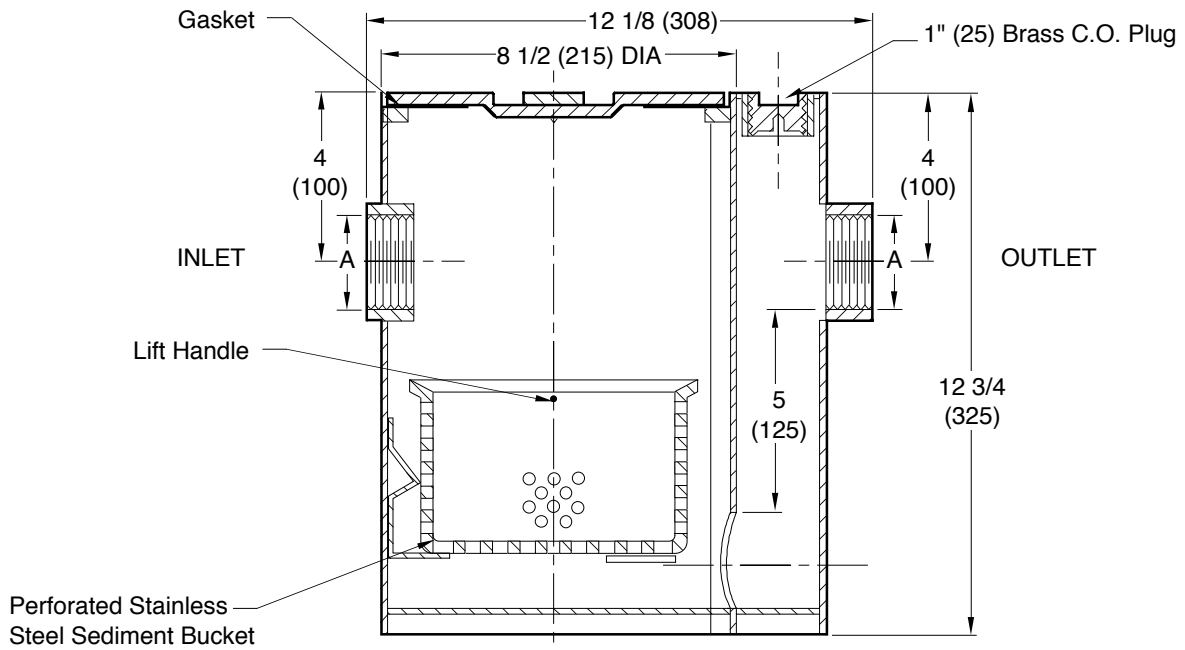


Fig. 8714T

A(Pipe Size) = 0150(40) or 02(50)

**NOTE:** It is the responsibility of the installer to check all parts (internal and external) to verify they are in their proper operating order and location.

**NOTE:** Allow 4 1/2" (115) above interceptor for removal of basket.

**REGULARLY FURNISHED:**

Fabricated Steel Body with Galvanized Sub-Coat with White Duco Finish Inside and Outside and Stainless Steel Perforated Bucket and Aluminum Cover.

**VARIATIONS:**

- Fine Mesh Screen
- Bucket Liner

**OPTIONAL MATERIALS:**

- Acid Resistant Coating Inside - ARI
- Acid Resistant Coating Outside - ARO
- Acid Resistant Coating Inside and Outside - ARIO
- All Stainless Steel Fabricated Body and Cover -SS

**NOTE:** Dimensions shown in parentheses are in millimeters.

DRAWING NUMBER  
**S8714**

SIZE  
**A**

SCALE:  
**NONE**

DATE:  
**4-24-85**

APPROVED BY:  
**SJM**

CHECKED BY:  
**CR**

DRAWN BY:  
**RH**

**8714**

WE CAN ASSUME NO RESPONSIBILITY FOR USE OF SUPERSEDED OR VOID DATA

DIMENSIONS ARE SUBJECT TO MANUFACTURERS TOLERANCE AND CHANGE WITHOUT NOTICE

F	7-27-00	Rev. Drawing, Reg. Furn.	TBW	CL
E	3-19-96	Added Millimeters	EMB	BS
D	9-14-94	Submittal Update	CMB	BS
C	5-14-91	Updated Drawing	TBW	JD
B	12-26-85	Rev. Reg. Furn.	CM	JD

WEIGHT POUNDS	VOLUME CUBIC FEET	<b>FIGURE NUMBER</b>  <b>8714</b>
------------------	----------------------	---

REV.	DATE	DESCRIPTION	BY	CKD. BY
------	------	-------------	----	---------