

L



**JAY R. SMITH MFG. CO.**  
 MEMBER OF MORRIS GROUP INTERNATIONAL  
 POST OFFICE BOX 3237  
 MONTGOMERY, ALABAMA 36109-0237 (USA)  
 TEL: 334-277-8520 FAX: 888-377-7818 www.jrsmith.com



MEMBER OF:

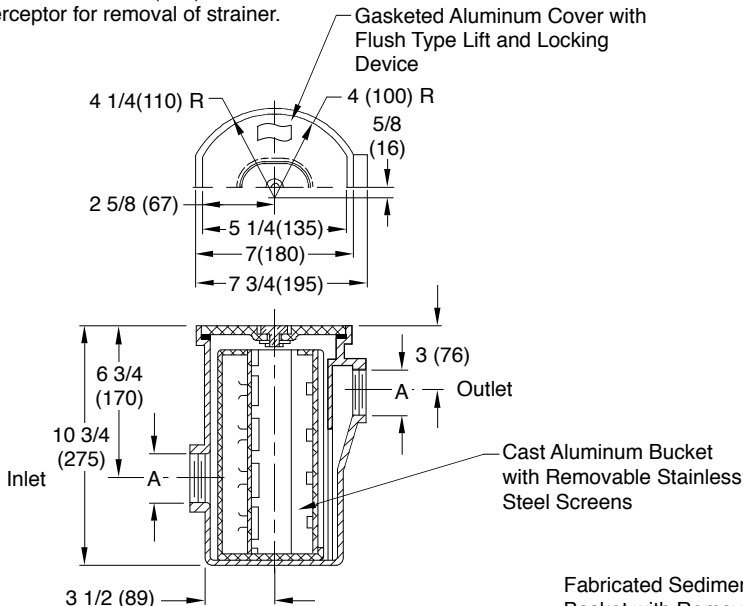


LOCATION

# SOLIDS INTERCEPTORS

## FLUSH WITH FLOOR OR ON THE FLOOR TYPES

**NOTE:** Allow 9 1/4" (235) above interceptor for removal of strainer.



A (Pipe Size) = 0150 (38) or 02 (50)

□ Fig. 8710T

### REGULARLY FURNISHED:

White Duco Coated Cast Iron Body and Aluminum Gasketed Cover and Sediment Strainer with Removable Stainless Steel Screens.

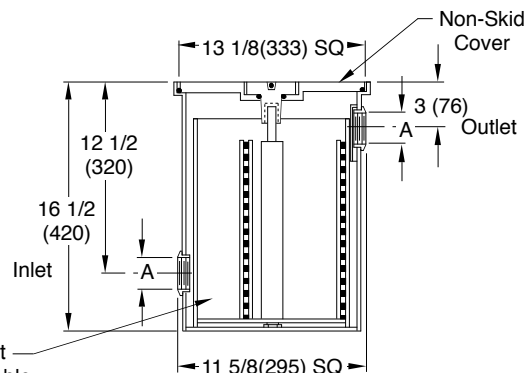
### OPTIONAL MATERIALS:

- Acid Resistant Coating Inside - ARI
- Acid Resistant Coating Outside - ARO
- Acid Resistant Coating Inside and Outside - ARIO
- All ABS (Specify Fig. 8710-ABS)
- All Aluminum Body -AA

**NOTE:** Dimensions shown in parentheses are in millimeters.

**NOTE:** Allow 14 1/2" (370) above interceptor for removal of strainer.

**NOTE:** It is the responsibility of the installer to check all parts (internal and external) to verify they are in their proper operating order and location.



A (Pipe Size) = 0150 (38) or 02 (50)

□ Fig. 8715T

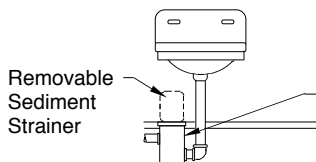
### REGULARLY FURNISHED:

Fabricated Steel Body with White Duco Finish Inside and Outside, Sediment Strainer with Removable Stainless Steel Screens and Cast Iron Cover.

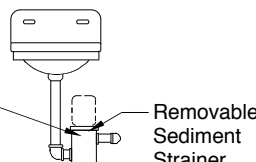
### OPTIONAL MATERIALS:

- Acid Resistant Coating Inside - ARI
- Acid Resistant Coating Outside - ARO
- Acid Resistant Coating Inside and Outside - ARIO

## TYPICAL INSTALLATIONS



FLUSH WITH FLOOR INSTALLATION



ON THE FLOOR INSTALLATION

DRAWING NUMBER  
S8710

SIZE  
A

SCALE:  
NONE

DATE:  
4-24-85

APPROVED BY:  
JIM

CHECKED BY:  
KG

DRAWN BY:  
PJ

8710, 8715

WE CAN ASSUME NO RESPONSIBILITY FOR USE OF SUPERSEDED OR VOID DATA

DIMENSIONS ARE SUBJECT TO MANUFACTURERS TOLERANCE AND CHANGE WITHOUT NOTICE

FIGURE NUMBER	L K J H	11/6/20 05/14/04 7-10-03 7-16-02	Remove Function, Rev. Reg. Furn. 8715 Added to Optional Materials Changed Optional Materials Changed Regularly Furnished	TBW JJ RN RN	AM AM CL CL	WEIGHT POUNDS	VOLUME CUBIC FEET	FIGURE NUMBER <b>8710, 8715</b>
REV.	DATE	DESCRIPTION	BY	CKD. BY				