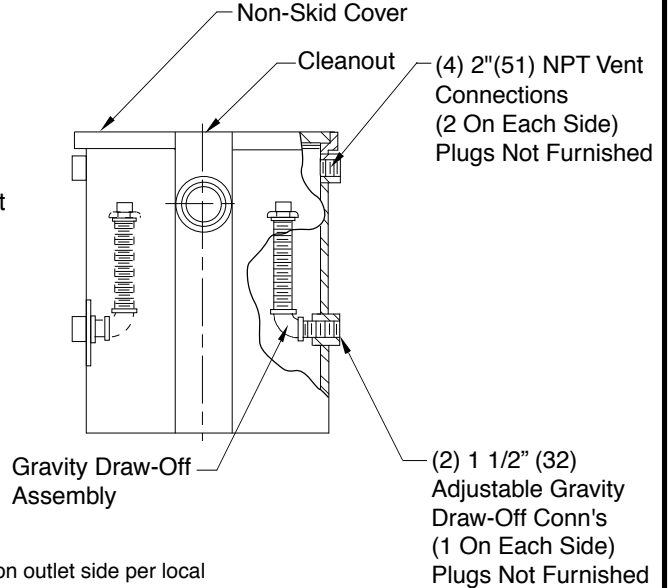
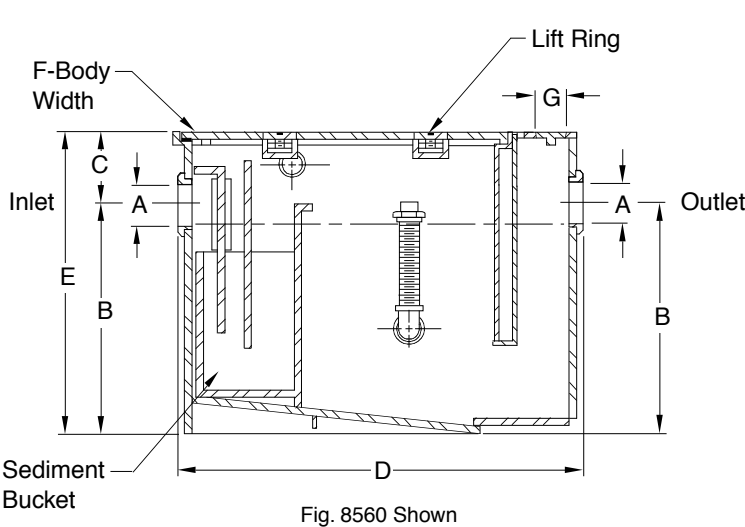


OIL INTERCEPTORS

LARGE CAPACITY - STEEL OIL INTERCEPTORS

FUNCTION: Large capacity oil interceptors are used in large garages, service areas and industrial plants where waste laden with oil and sediment must be intercepted. The intercepted oils are drawn off by gravity to a storage tank or container. Any sediment which is included in the discharge is collected in a large sediment bucket and periodically removed. Interceptors should not be located directly in traffic areas. If required, specify extra heavy duty traffic cover.

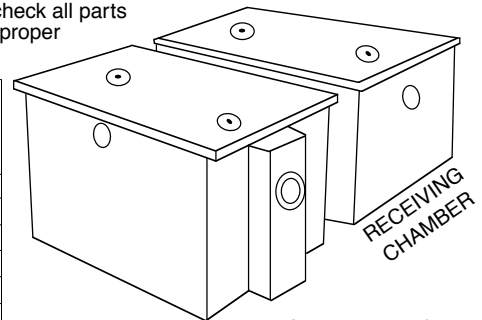


NOTE: Interceptor shall be vented on outlet side per local code requirements.

NOTE: It is the responsibility of the installer to check all parts (internal and external) to verify they are in their proper operating order and location.

PCN/ Fig. No.	GPM Flow Rate	Inlet and Outlet Size	Dimensions						C.O. Plug Size
			Roughing Dimensions				Body		
			A*	B	C	D	Height E	Width F	
8560-SC-75	75	04(100)	21 1/2(545)	15 1/2(395)	50 3/4(1290)	37(940)	30 1/2(775)	3(76)	
8565-SC-100	100	04(100)	27(685)	16 1/2(420)	54 3/4(1390)	43 1/2(1105)	33 1/2(850)	3(76)	
8570-SC-150	150	05(125)	33(840)	17 1/2(545)	60 3/4(1543)	50 1/2(1283)	38 1/2(980)	4(100)	
8575-SC-200	200	05(125)	37(940)	17 1/2(545)	67 3/4(1720)	54 1/2(1385)	43 1/2(1105)	4(100)	
8580-SC-250	250	05(125)	40(1015)	18(455)	73 3/4(1875)	58(1473)	47 1/2(1205)	4(100)	
8585-SC-350	350	05(125)	43 1/2(1105)	18(455)	85 3/4(2178)	61 1/2(1562)	54 1/2(1385)	4(100)	
8590-SC-500	500	06(150)	48(1220)	18(455)	103 1/4(2623)	66(1615)	64 1/2(1640)	5(125)	

*Available with larger inlet and outlet when specified.



Arrangement shown with left hand tank. Right hand tank is mirror image.

REGULARLY FURNISHED:
 Steel Interceptor with Gray Duco Coating Inside and Outside and Flow Control Fitting.

- VARIATIONS:**
- Anchor Flange -F
 - Flange and Flashing Clamp -F-C
 - Integral Extension -E (Specify Height eg: -E12 for 12" (305) Ext.)
 - NO-HUB Adaptor (4) Req'd (Specify Fig. 2646Y)
 - Traffic Rated Cover-H20
 - Flow Control Fitting Inside
 - Control Box and Level Sensor -CBS

- OPTIONAL MATERIALS:**
- Acid Resistant Coating Inside - ARI
 - Acid Resistant Coating Outside - ARO
 - Acid Resistant Coating Inside and Outside - ARI/O
 - Aluminum Cover -AC

NOTE: Dimensions shown in parentheses are in millimeters.

DRAWING NUMBER: 8560-SC-CAN SERIES

SIZE: A

SCALE: NONE

DATE: 09/20/07

APPROVED BY: BW

CHECKED BY: BW

DRAWN BY: JJ

8560-SC-CAN

DIMENSIONS ARE SUBJECT TO MANUFACTURERS TOLERANCE AND CHANGE WITHOUT NOTICE

WE CAN ASSUME NO RESPONSIBILITY FOR USE OF SUPERSEDED OR VOID DATA

B

REV.	DATE	DESCRIPTION	BY	CKD. BY	WEIGHT POUNDS	VOLUME CUBIC FEET	FIGURE NUMBER
							8560-SC-CAN

SMITH® JAY R. SMITH MFG. CO.®
 MEMBER OF MORRIS GROUP INTERNATIONAL
 POST OFFICE BOX 3237
 MONTGOMERY, ALABAMA 36109-0237 (USA)
 TEL: 334-277-8520 FAX: 334-272-7396 www.jrsmith.com



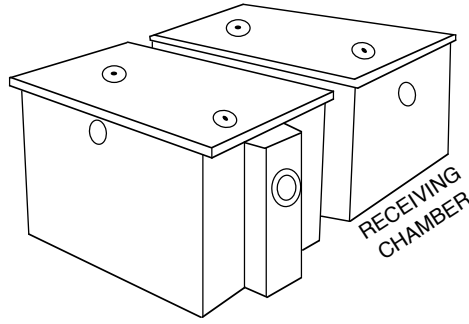
LOCATION

DRAWING NUMBER: S8560-SC-CAN-BS Series
 SIZE: A
 SCALE: NONE
 DATE: 09/20/07
 APPROVED BY: BW
 CHECKED BY: BW
 DRAWN BY: JJ
8560-SC-CAN-BS
 FIGURE NUMBER

WE CAN ASSUME NO RESPONSIBILITY FOR USE OF SUPERSEDED OR VOID DATA
 DIMENSIONS ARE SUBJECT TO MANUFACTURERS TOLERANCE AND CHANGE WITHOUT NOTICE

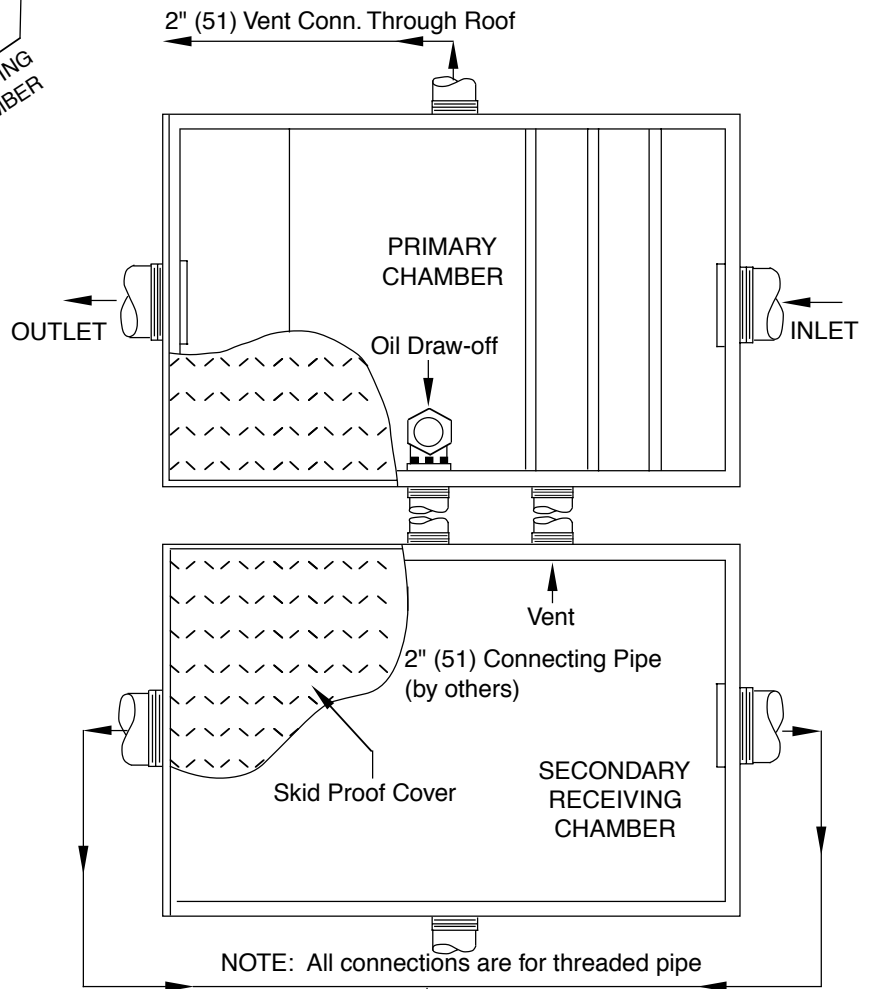
Recommended Installation of Oil Interceptor with Receiving Chamber

ALL STEEL OIL INTECEPTORS



Arrangement shown with left hand tank. Right hand tank is mirror image.

NOTE: Dimensions shown in parentheses are in millimeters.



2" (51) vent connection joined above flood level, extended through roof and terminated 12" (305) above primary chamber vent.

	A	10-11-07	Revised Figure Number	RN	BW	WEIGHT POUNDS	VOLUME CUBIC FEET	FIGURE NUMBER
REV.	DATE	DESCRIPTION			BY	CKD. BY		8560-SC-CAN-BS