

J

SMITH® JAY R. SMITH MFG. CO.®
 MEMBER OF MORRIS GROUP INTERNATIONAL
 POST OFFICE BOX 3237
 MONTGOMERY, ALABAMA 36109-0237 (USA)
 TEL: 334-277-8520 FAX: 334-272-7396 www.jrsmith.com

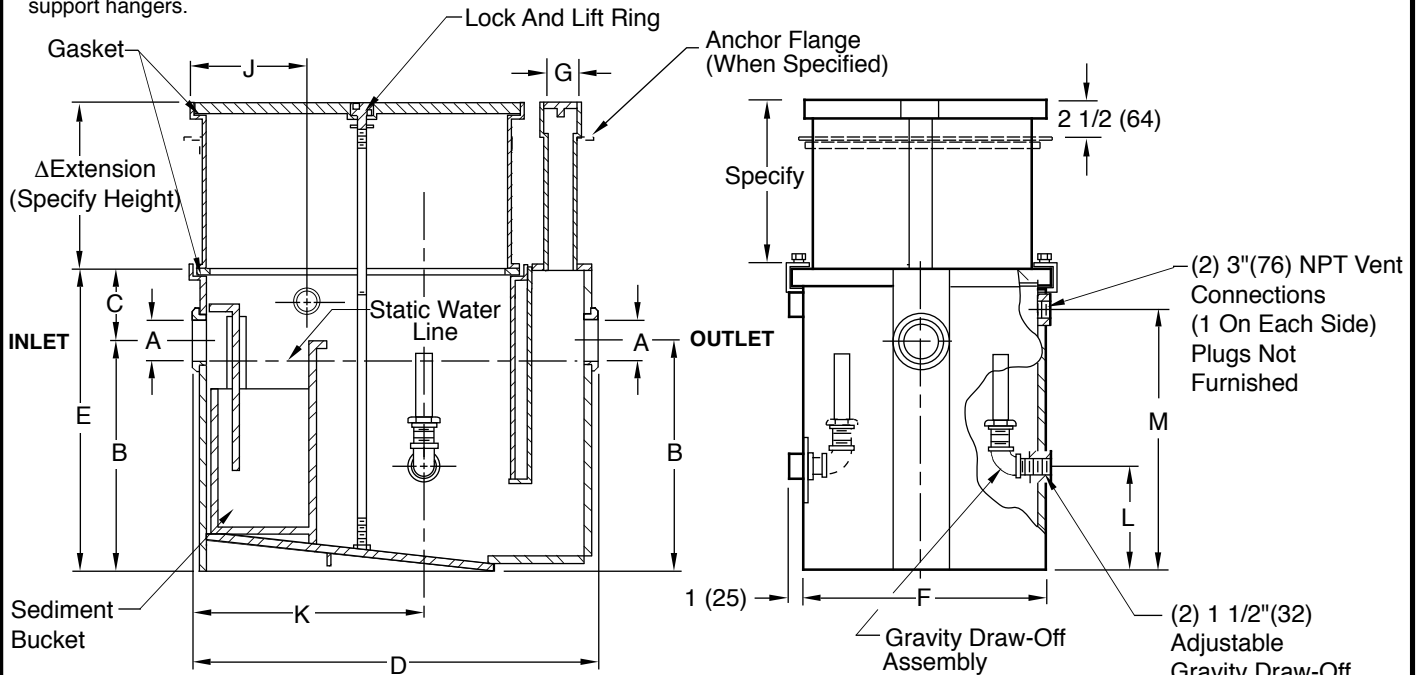


MEMBER OF:

LOCATION

OIL INTERCEPTORS WITH EXTENSION

FUNCTION: Used in service stations, parking garages, and industrial plants where discharged water contains oil and sediment. Interceptor collects oil and conveniently permits the collected oil to be drained to a storage tank by means of an adjustable gravity draw-off connection. Sediment and chips are collected in sediment bucket and should be periodically removed. Interceptors with extensions are installed recessed in the floor with cover flush with finished floor. Extension provides additional roughing depth from top of interceptor to center line of inlet and outlet. Extension should not be used as a means for supporting the assembly. The entire interceptor body and extension must rest on solid ground or suitable support hangers.



NOTE: Interceptor shall be vented on outlet side per local code requirements.

NOTE: 2"(51) must be added to dimension D and F for clearance of extension clamps.

(2) 3"(76) NPT Vent Connections (1 On Each Side) Plugs Not Furnished

(2) 1 1/2"(32) Adjustable Gravity Draw-Off Conn. (1 On Each Side) Plugs Not Furnished

PCN/ Fig. No.	GPM Flow Rate	Inlet and Outlet Size	Dimensions						C.O. Plug Size	Dimension				
			Roughing Dimensions			Body				G	J	K	L	M
			A*	B	C	D	Height	Width						
8510 (-E)	10	02(50)	9 1/2(240)	3 3/4(95)	21 1/4(540)	13 1/4(335)	13(330)	2(51)	9 1/2(240)	12(305)	4(100)	9 3/4(250)		
8515 (-E)	15	02(50)	12(305)	3 1/2(89)	25(635)	15 1/2(395)	14(355)	2(51)	10 1/4(260)	14 1/4(360)	5 3/4(145)	12(305)		
8520 (-E)	20	03(75)	13(330)	4(100)	28 1/2(725)	17(430)	15 3/4(400)	2(51)	12(305)	16 1/2(420)	4 1/2(115)	13 1/2(345)		
8525 (-E)	25	03(75)	15 1/4(390)	4 1/2(115)	30(760)	19 3/4(500)	16 3/4(425)	2(51)	12 3/4(325)	18 3/4(475)	6 1/4(160)	16 1/4(415)		
8535 (-E)	35	03(75)	16(405)	5(125)	32 1/2(825)	21(535)	18 1/4(465)	2(51)	14 1/2(370)	21 1/4(540)	7(180)	17 1/2(445)		
8550 (-E)	50	03(75)	17 1/2(445)	6 3/4(170)	35 1/2(900)	24 1/4(615)	20 3/4(525)	2(51)	16(405)	22(560)	7 1/2(190)	20 3/4(525)		

*Available with larger inlet and outlet when specified.

REGULARLY FURNISHED:

Steel Interceptor and Extension with Gray Duco Coating Inside and Outside and Flow Control Fitting.

2"(51) min. extension available. Anchor flange & flashing clamp not available on less than 4"(100) extension.

VARIATIONS:

- Anchor Flange -F
(Flange available with extension only)
- Flashing Flange and Clamp -F-C
- NO-HUB Adaptor (4) Req'd
(Specify Fig. 2646Y)
- Traffic Rated Cover-H20

OPTIONAL MATERIALS:

- Acid Resistant Coating Inside - ARI
- Acid Resistant Coating Outside - ARO
- Acid Resistant Coating Inside and Outside - ARIO
- Aluminum Cover -AC

NOTE: Dimensions shown in parentheses are in millimeters.

DRAWING NUMBER
8510 (-E)

SIZE
A

SCALE:
NONE

DATE:
5-8-86

APPROVED BY:
JD

CHECKED BY:
CR

DRAWN BY:
VGD

8510 (-E)

FIGURE NUMBER

J	1-22-18	Revised Callout	TBW	CL
H	2-19-15	Revised Callouts	TBW	BW
G	12-3-13	Revised Drawing	TBW	CL
F	5-5-06	Revised Drawing & Note	RN	CL
REV.	DATE	DESCRIPTION	BY	CKD. BY

WEIGHT POUNDS	VOLUME CUBIC FEET	FIGURE NUMBER 8510 (-E)
------------------	----------------------	-----------------------------------