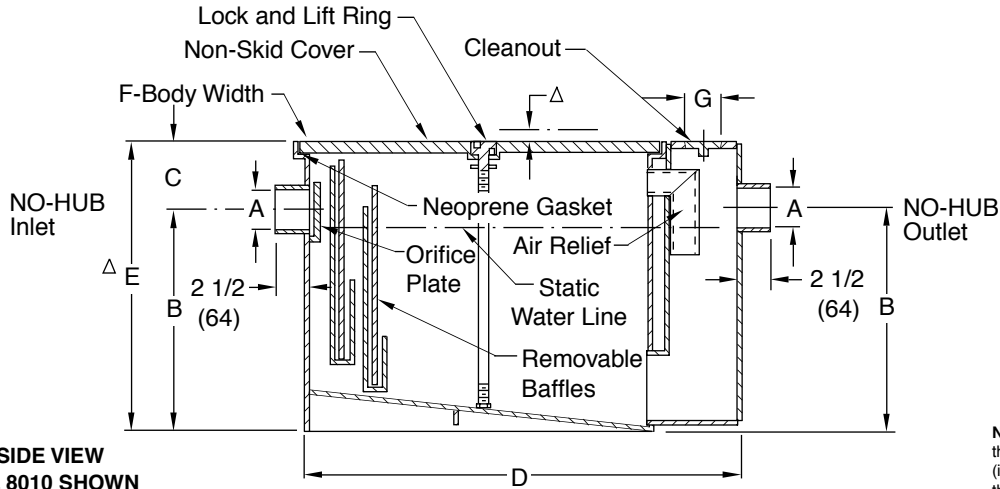


GREASE INTERCEPTORS

FUNCTION: Used in kitchens, restaurants, institutions and all types of food processing areas where waste water contains grease, fats and oil. Rate of flow into interceptor is controlled by a flow control plate, thus enabling the interceptor to collect over 90% of the grease which flows into it. "Uni-lock" cover design permits fast cover removal for periodic cleaning. Interceptor may be set on floor, semi-recessed in floor or fully recessed with cover flush with finished floor. Fig. 8100 Series are extra low designs adaptable for use with dishwashers or low roughing sinks.



**SIDE VIEW
FIG. 8010 SHOWN**

Δ NOTE: When tile top is specified add 1". When Terrazzo top is specified add 1 1/4"

NOTE: It is the responsibility of the installer to check all parts (internal and external) to verify they are in their proper operating order and location.

NOTE: Whenever an interceptor is to be installed suspended in a floor slab with cradle or independently, proper support is essential for safety and functional integrity of the installation.

Supports/support system shall be of sufficient strength and proper design for the purpose intended and meet the approval of the architect and structural engineer. Jay R. Smith Mfg. Co. is not responsible for the design or recommendation of such supports.

Upon request, Jay R. Smith Mfg. Co. will provide the weight of the specific unit. Additional weight must be added to compensate for the weight of the liquid/grease when full and in the flowing mode of operation.

FIG NO.	GPM FLOW RATE	GREASE CAP. LBS.	INLET AND OUTLET SIZE	DIMENSIONS					C.O. PLUG SIZE
				ROUGHING DIMENSIONS			HEIGHT	WIDTH	
				A*	B	C	D	E	
8004	4	8	02 (50)	7 3/4 (195)	3 1/4 (83)	15 1/2 (395)	11 (280)	9 (230)	2 (51)
8007	7	14	02 (50)	8 1/2 (215)	3 1/2 (89)	17 3/4 (450)	12 (305)	10 (255)	2 (51)
8010	10	20	02 (50)	9 1/2 (240)	3 3/4 (95)	20 (510)	13 1/4 (335)	11 1/2 (290)	2 (51)
8015	15	30	02 (50)	12 (305)	3 1/2 (89)	23 3/4 (605)	15 1/2 (395)	13 1/2 (345)	2 (51)
8020	20	40	03 (80)	13 (330)	4 (100)	26 7/8 (685)	17 (430)	15 3/4 (400)	2 (51)
8025	25	50	03 (80)	15 1/4 (390)	4 1/2 (115)	28 3/8 (725)	19 3/4 (500)	16 3/4 (425)	2 (51)
8035	35	70	04 (100)	16 (405)	5 (125)	30 7/8 (785)	21 (535)	18 1/4 (465)	2 (51)
8050	50	100	04 (100)	17 1/2 (445)	6 3/4 (170)	33 7/8 (835)	24 1/4 (615)	20 3/4 (525)	2 (51)
LOW TYPE									
8120	20	40	03 (80)	7 (180)	3 1/2 (89)	36 7/8 (940)	10 1/2 (265)	21 3/4 (550)	2 (51)
8135	35	70	04 (100)	7 (180)	4 3/4 (120)	47 7/8 (1215)	11 3/4 (300)	27 3/4 (705)	2 (51)
8150	50	100	04 (100)	10 (255)	6 (150)	47 7/8 (1215)	16 (405)	27 3/4 (705)	2 (51)

*Available with larger inlet and outlet when specified.

REGULARLY FURNISHED:

Steel Gray Duco Coating Inside and Outside and Internal Flow Control Orifice Plate.

VARIATIONS:

- Δ Cover Recessed for Terrazzo Ceramic or Quarry Tile -QC
- Δ Cover Recessed for Vinyl or Asphalt Tile -TC
- Lift Out Sediment Bucket -B
- Traffic Rated Cover -H20

OPTIONAL MATERIALS:

- Acid Resistant Coating Inside -ARI and/or Outside -ARIO
- Aluminum Cover -AC
- Acid Resistant Coating Inside and Outside - ARIO

NOTE: Dimensions shown in parentheses are in millimeters.

DRAWING NUMBER
S8000-CAN SERIES

SIZE
A

SCALE:
NONE

DATE:
10-6-94

APPROVED BY:
McD

CHECKED BY:
JM

DRAWN BY:
EMB

8000-CAN SERIES

FIGURE NUMBER

DIMENSIONS ARE SUBJECT TO MANUFACTURERS TOLERANCE AND CHANGE WITHOUT NOTICE

C	11-4-14	Rev. Var., Opt. Mat., Added Note Revised Table Revised Table	TBW	TWK	WEIGHT POUNDS	VOLUME CUBIC FEET	FIGURE NUMBER 8000-CAN Series
B	4/2/01		RN	BS			
A	1-17-95		CMB				
REV.	DATE	DESCRIPTION	BY	CKD. BY			



JAY R. SMITH MFG. CO.
 MEMBER OF MORRIS GROUP INTERNATIONAL
 POST OFFICE BOX 3237
 MONTGOMERY, ALABAMA 36109-0237 (USA)
 TEL: 334-277-8520 FAX: 334-272-7396 www.jrsmith.com



MEMBER OF:

LOCATION

DRAWING NUMBER
CAN-S8000 INSTALLATION

SIZE
A

SCALE:
NONE

DATE:
3-19-93

APPROVED BY:

CHECKED BY:

DRAWN BY:
TWK

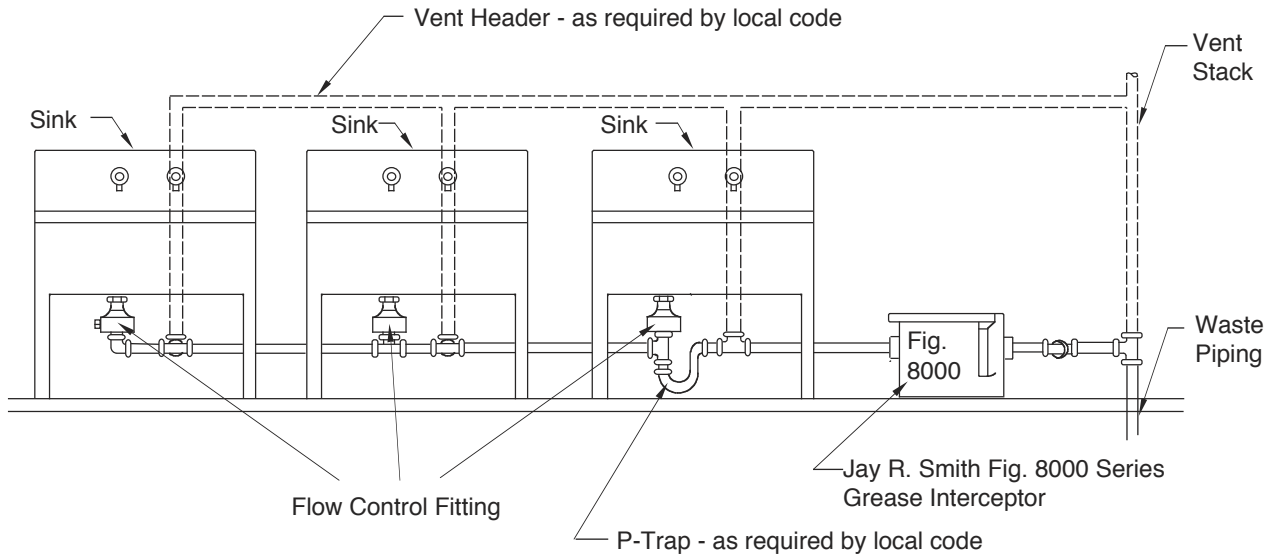
8000 SERIES
INSTALLATION

WE CAN ASSUME NO RESPONSIBILITY FOR USE OF SUPERSEDED OR VOID DATA

DIMENSIONS ARE SUBJECT TO MANUFACTURERS TOLERANCE AND CHANGE WITHOUT NOTICE

MULTIPLE SINK INSTALLATION

MULTIPLE SINK INSTALLATION SERVING A SMITH
FIGURE 8000 SERIES GREASE INTERCEPTOR



REV.	DATE	DESCRIPTION	BY	CKD. BY

WEIGHT POUNDS	VOLUME CUBIC FEET

FIGURE NUMBER
8000 SERIES
INSTALLATION



WARNING: Cancer and Reproductive Harm - www.P65Warnings.ca.gov