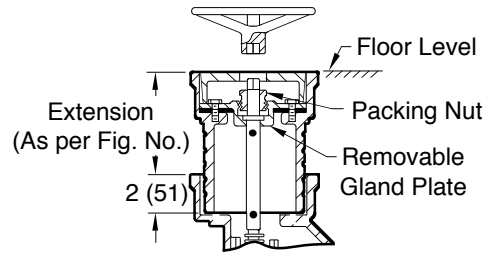
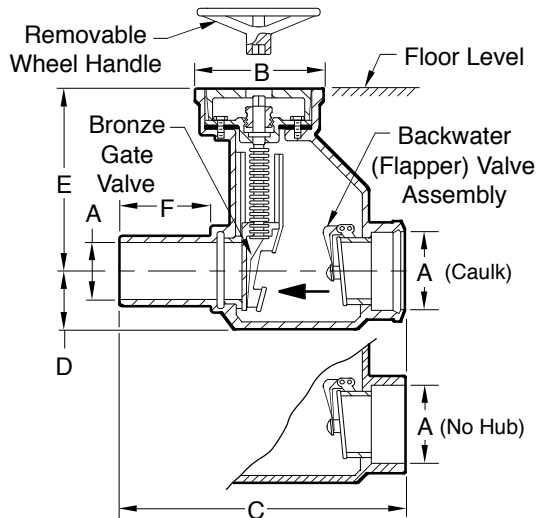


BACKWATER VALVES

IN-LINE MANUAL SHUT-OFF GATE VALVE

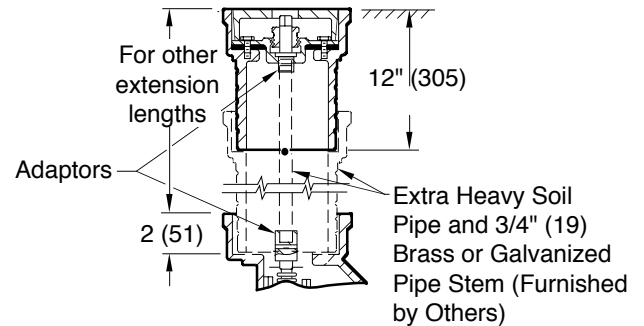
FUNCTION: Functions as a drainage control valve; flapper type backwater valve provides temporary protection against sewage backflow surges. Manually closed "spade" type gate valve provides additional complete "closure" protection during emergency conditions, when building is completely shut down or during extended periods of backflow conditions.



- Fig. 7151C with 12(305) in. Extension/04(100) in. Inlet & Outlet
- Fig. 7151Y with 12(305) in. Extension/04(100) in. Inlet & Outlet
- Fig. 7152C with 24(610) in. Extension/04(100) in. Inlet & Outlet
- Fig. 7152Y with 24(610) in. Extension/04(100) in. Inlet & Outlet
- Fig. 7153C with 9 1/2(240) in. Extension/06(150) in. Inlet & Outlet
- Fig. 7153Y with 9 1/2(240) in. Extension/06(150) in. Inlet & Outlet
- Fig. 7154C with 21 1/2(545) in. Extension/06(150) in. Inlet & Outlet
- Fig. 7154Y with 21 1/2(545) in. Extension/06(150) in. Inlet & Outlet

- Fig. 7150C CAULK INLET NO-HUB OUTLET
- Fig. 7150Y NO-HUB INLET & OUTLET

A SIZE	B DIA.	C	D	E	F
04(100)	8 (205)	18(455)	3 3/4(95)	12(305)	5(125)
06(150)	10 1/2(265)	20(510)	4 1/2(115)	14 1/2(370)	5(125)



- Fig. 7155C CAULK WITH EXTENSION ADAPTOR
- Fig. 7155Y NO-HUB INLET & OUTLET

NOTE: B.W.V. flapper set at factory to hang in closed position. Pin can be moved to permit flapper to hang open 1/4" (6) to permit air circulation.

NOTE: 4(100) size furnished with Delrin Backed Neoprene flapper. 6(150) size furnished with bronze flapper.

NOTE: Fig. 7150C and 7150Y are accessible from finished floor. Non-rising stem with spade-shaped gate assures positive closure.

NOTE: Extension joint(s) must be caulked using 1"(25) of oakum and 1"(25) of poured lead. Not sized for compression type gaskets.

NOTE: During periods when manual shut-off valve is closed, use of building plumbing fixtures and drains must be avoided.

REGULARLY FURNISHED:

Duco Cast Iron Body and Cover with Removable Wheel Handle. Bronze Gate and Bronze Flapper Valve. Cast Iron Extensions as Indicated by Figure Number Selected.

VARIATIONS:

Outlet Sized for Service Weight -SW (When Specified)

OPTIONAL MATERIALS:

Galvanized Cast Iron -G

NOTE: Dimensions shown in parentheses are in millimeters.

NOTE: These valves offer protection against backwater surges. Backflow is prevented when valve is not obstructed by debris or sludge. Use for gravity flow only, not for pressurized applications.

DRAWING NUMBER: S7150
SIZE: A
SCALE: NONE
DATE: 5-16-83
APPROVED BY: SJM
CHECKED BY: DT
DRAWN BY: BS
7150
FIGURE NUMBER

WE CAN ASSUME NO RESPONSIBILITY FOR USE OF SUPERSEDED OR VOID DATA
DIMENSIONS ARE SUBJECT TO MANUFACTURERS TOLERANCE AND CHANGE WITHOUT NOTICE

REV.	DATE	DESCRIPTION	BY	CKD. BY	WEIGHT POUNDS	VOLUME CUBIC FEET	FIGURE NUMBER <h1 style="margin: 0;">7150</h1>

BACKWATER VALVES

INLINE MANUAL SHUT-OFF GATE VALVE

DRAWING NUMBER
S7150BS
 SIZE
A
 SCALE:
NONE
 DATE:
4-23-68
 APPROVED BY:

 CHECKED BY:

 DRAWN BY:
7150BS

WE CAN ASSUME NO RESPONSIBILITY FOR USE OF SUPERSEDED OR VOID DATA
 DIMENSIONS ARE SUBJECT TO MANUFACTURERS TOLERANCE AND CHANGE WITHOUT NOTICE

PARTS LIST AND MAINTENANCE INSTRUCTIONS

Fig. 7150
04 (100), 06"(150)

Fig. 7151 04"(100)
Fig. 7152 04"(100)
Fig. 7153 06" (150)
Fig. 7154 06"(150)

NOTE: Dimensions shown in parentheses are in millimeters.

NOTE: Extension joint(s) must be caulked using 1" (25) of oakum and 1" (25) of poured lead. Not sized for compression type gaskets.

NOTE: For Replacement Parts Specify Part No., Fig. No. and Size Gate Valve.

Cover Plate Dia. For 04" (100) Size 7" (180) Dia.
 Cover Plate Dia. For 06" (150) Size 9 1/2 (240) Dia.

3/4" (19) Pipe Ext. by Others
 6" (150) or 8"(205)
 Size Soil Pipe
 Ext. by Others

Fig. 7155
04 (100),
06"(150)

PART NO.	DESCRIPTION
1	WHEEL HANDLE
2	COVER PLATE
3	STEM
4	PACKING BUSHING
5	VALVE PLATE BOLTS
6	B.W.V. PIN
7	B.W.V. BODY
8	B.W.V. COVER
9	B.W.V. ARM
10	GATE
11	GATE SEAT
12	BODY
13	VALVE PLATE
14	VALVE PLATE GASKET
15	PACKING
16	EXTENSION ROD ASSEMBLY
17	CHECK PLUG
18	EXTENSION
19	EXTENSION ADAPTOR
20	EXTENSION ADAPTOR STEM - TOP
21	STEM PIN
22	STEM PIN
23	EXTENSION ADAPTOR STEM ASS'Y - LOWER

FIGURE NUMBER	REV.	DATE	DESCRIPTION	BY	CKD. BY	WEIGHT POUNDS	VOLUME CUBIC FEET	FIGURE NUMBER
7150BS			E 1-19-96 D 11-2-95 C 7-10-95 B 9-30-92 Removed 03" Removed 05" Added Millimeters Added Note	CMD EMB EMB TWK	BS BS BS			7150BS