

BACKWATER VALVE

TERMINAL VALVES

FUNCTION: Used at the end of sewer lines, which discharge into manholes, catch basins, drainage lagoons and seawalls to prevent backflow into areas which are to be drained.

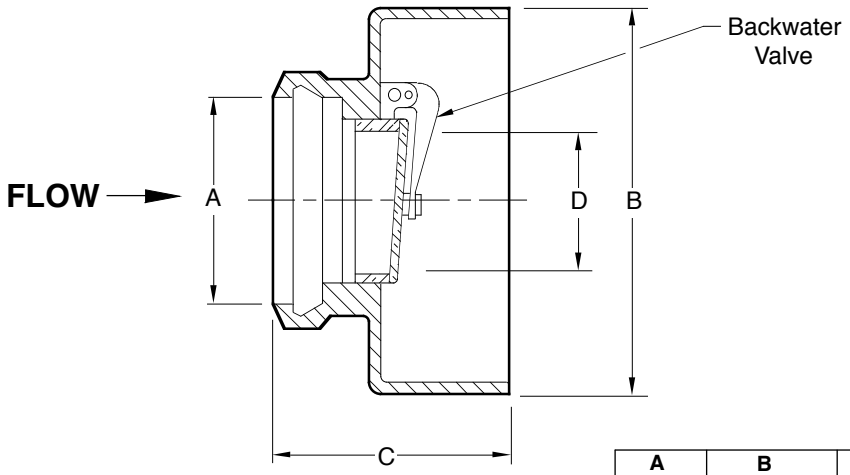


Fig. 7070C..... HUB TYPE

A SIZE	B DIA	C	D
02 (50)	6 1/4 (160)	5 1/4 (135)	1 3/4 (44)
03 (80)	8 (205)	5 1/2 (140)	2 3/4 (70)
04 (100)	9 (230)	5 3/4 (145)	3 3/4 (95)
05 (125)	11 1/2 (290)	6 (150)	4 1/2 (115)
06 (150)	11 1/2 (290)	6 (150)	5 3/4 (145)
08 (200)	13 1/2 (345)	6 3/4 (170)	8 (205)
10 (250)	15 3/4 (400)	7 3/4 (195)	10 (255)
12 (300)	17 1/2 (445)	8 3/4 (220)	12 (305)
16 (400)	26 1/4 (665)	16 1/2 (420)	18 (455)
18 (450)	26 1/4 (665)	16 (405)	18 (455)

NOTE: B.W.V. flapper set at factory to hang in closed position. Pin can be moved to permit flapper to hang open 1/4" (6) to permit air circulation.

NOTE: 2-4" size furnished with Delrin Backed Neoprene flapper. All other sizes furnished with bronze flapper.

NOTE: These valves offer protection against backwater surges. Backflow is prevented when valve is not obstructed by debris or sludge. Use for gravity flow only, not for pressurized applications.

REGULARLY FURNISHED:
 Duco Cast Iron Body with Backwater Valve.

OPTIONAL MATERIALS:
 Galvanized Cast Iron -G

NOTE: Dimensions shown in parentheses are in millimeters.

DRAWING NUMBER **S7070**
 SIZE **A**
 SCALE: **NONE**
 DATE: **5-5-83**
 APPROVED BY: **SJM**
 CHECKED BY: **DT**
 DRAWN BY: **BS**
7070
 DIMENSIONS ARE SUBJECT TO MANUFACTURERS TOLERANCE AND CHANGE WITHOUT NOTICE

E	12-5-16	Added Note	TBW	BW		
D	9-28-95	Chg'd Reg Furn, added Metrics	EMB	JCS	WEIGHT	VOLUME
C	8-17-94	Submittal Update	EMB	JCS	POUNDS	CUBIC FEET
B	2-18-93	Redrawn & Chg'd Reg Furn	EMB	JCS		FIGURE NUMBER
REV.	DATE	DESCRIPTION	BY	CKD. BY		7070