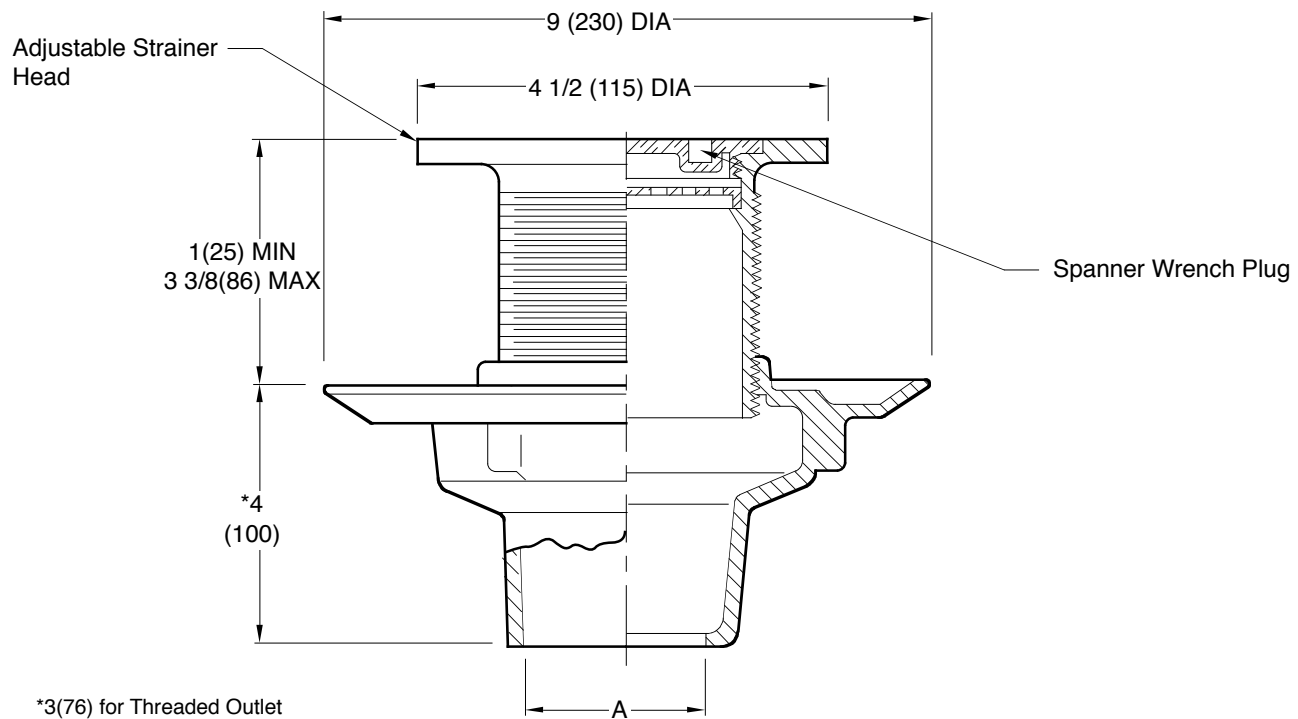
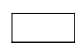
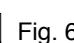


FOOT BATH DRAIN

FUNCTION: Used for antiseptic foot baths which are normally filled, but must be periodically emptied for cleaning. During use removable non-slip plug is set in place. When receptor is to be drained plug is removed exposing a recessed grate which permits drainage and excludes the entrance of debris.



A (PIPE Size) = 02(50), 03(75) or 04(100)

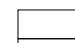

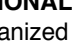
-  Fig. 6390C . . . CAULK OUTLET
-  Fig. 6390Y . . . NO-HUB OUTLET

REGULARLY FURNISHED:
 Duco Cast Iron Body with Chrome Plated Bronze Top and Spanner Wrench for Plug Removal.

VARIATIONS:

-  Flashing Clamp -C
-  T Threaded Outlet

OPTIONAL MATERIALS:

-  Galvanized Body -G
-  Nickel Bronze Top -NB
-  Polished Bronze Top -PB

NOTE: This product does not conform to or meet the requirements of ASME Standard No. A112.19.8-2007, titled "Suction Fittings for Use in Swimming Pools, Wading Pools, Spas, and Hot Tubs." This product shall not be used in any installation in swimming pools, wading pools, spas, hot tubs as well as other aquatic facilities. Due to the potential endangerment from arduous and forceful suction, entrapment or entanglement regardless of whether it is hair, head, limbs or other body parts, this product is prohibited from installation in these applications.

NOTE: Dimensions shown in parentheses are in millimeters.

DRAWING NUMBER **S6390**

SIZE **A**

SCALE: **NONE**

DATE: **4-6-83**

APPROVED BY: **SJM**

CHECKED BY: **DT**

DRAWN BY: **BS**

FIGURE NUMBER **6390**

WE CAN ASSUME NO RESPONSIBILITY FOR USE OF SUPERSEDED OR VOID DATA

DIMENSIONS ARE SUBJECT TO MANUFACTURERS TOLERANCE AND CHANGE WITHOUT NOTICE

E	12/17/08	Revised Pipe Size	RN	CL	WEIGHT POUNDS	VOLUME CUBIC FEET	FIGURE NUMBER
D	11/20/08	Added ASME Note	JJ	CL			6390
C	6-3-08	Revised Dwg.	RN	CL			
REV.	DATE	DESCRIPTION	BY	CKD. BY			