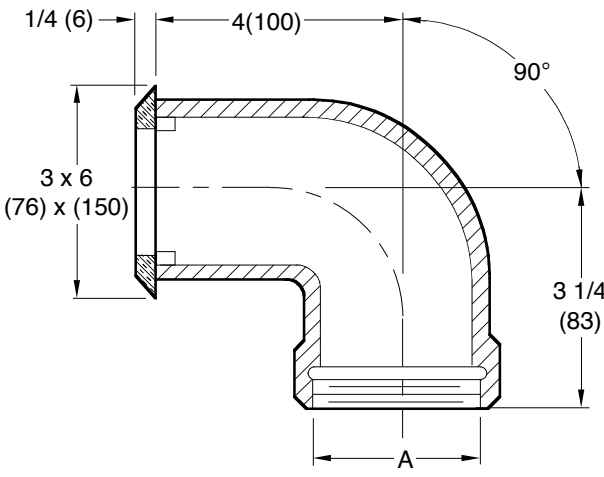


INLET SPRAY FITTINGS

FUNCTION: Small spray inlet fittings for use in foot baths.

Free Area
 4.2 SQ IN
 (27) SQ CM



A (Pipe Size) = 0150(40) or 02(50)

Fig. 6340T . . . THREADED INLET ONLY

REGULARLY FURNISHED:
 All Bronze with Secured Chrome
 Plated Face with Vertical Slotted
 Openings

VARIATIONS:
 Vandal Proof Screws -U

OPTIONAL MATERIALS:
 Nickel Bronze Face -NB
 Polished Bronze Face -PB

NOTE: This product does not conform to or meet the requirements of ASME Standard No. A112.19.8-2007, titled "Suction Fittings for Use in Swimming Pools, Wading Pools, Spas, and Hot Tubs." This product shall not be used in any installation in swimming pools, wading pools, spas, hot tubs as well as other aquatic facilities. Due to the potential endangerment from arduous and forceful suction, entrapment or entanglement regardless of whether it is hair, head, limbs or other body parts, this product is prohibited from installation in these applications.

NOTE: Dimensions shown in parentheses are in millimeters.

DRAWING NUMBER S6340
 SIZE A
 SCALE: NONE
 DATE: 4-5-83
 APPROVED BY: SJM
 CHECKED BY: DT
 DRAWN BY: BS
 DIMENSIONS ARE SUBJECT TO MANUFACTURERS TOLERANCE AND CHANGE WITHOUT NOTICE

6340

REV.	DATE	DESCRIPTION	BY	CKD. BY	WEIGHT POUNDS	VOLUME CUBIC FEET	FIGURE NUMBER 6340