

F

SMITH® JAY R. SMITH MFG. CO.®
 MEMBER OF MORRIS GROUP INTERNATIONAL
 POST OFFICE BOX 3237
 MONTGOMERY, ALABAMA 36109-0237 (USA)
 TEL: 334-277-8520 FAX: 334-272-7396 www.jrsmith.com



LOCATION

DRAWING NUMBER
S6130

SIZE
A

SCALE:
NONE

DATE:
3-28-83

APPROVED BY:
SJM

CHECKED BY:
DT

DRAWN BY:
BS

6130

FIGURE NUMBER

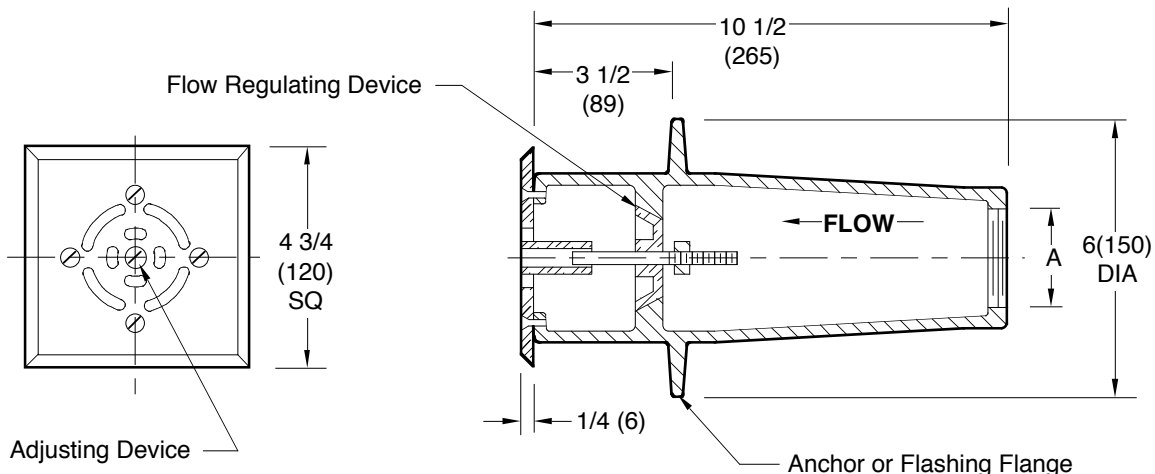
WE CAN ASSUME NO RESPONSIBILITY FOR USE OF SUPERSEDED OR VOID DATA

DIMENSIONS ARE SUBJECT TO MANUFACTURERS TOLERANCE AND CHANGE WITHOUT NOTICE

ADJUSTABLE RECIRCULATING FITTINGS

FUNCTION: Used as an inlet fitting in finished wall. Face-of-wall plate design fits flush with finished tile wall. Flow is controlled by plug type bronze control valve which may be regulated from face of strainer.

Free Area
1.8 SQ IN
(12) SQ CM



A (Pipe Size) = 0150(40), 02(50) or 03(75)

Fig. 6130T . . . THREADED INLET ONLY

REGULARLY FURNISHED:

Duco Cast Iron Body with Secured
Chrome Plated Bronze Face and
Flow Regulating Device.

VARIATIONS:

- Flashing Clamp -C
- Vandal Proof Screws -U

OPTIONAL MATERIALS:

- Bronze Body -BB
- Galvanized Cast Iron -G
- Nickel Bronze Face -NB
- Polished Bronze Face -PB

NOTE: This product does not conform to or meet the requirements of ASME Standard No. A112.19.8-2007, titled "Suction Fittings for Use in Swimming Pools, Wading Pools, Spas, and Hot Tubs." This product shall not be used in any installation in swimming pools, wading pools, spas, hot tubs as well as other aquatic facilities. Due to the potential endangerment from arduous and forceful suction, entrapment or entanglement regardless of whether it is hair, head, limbs or other body parts, this product is prohibited from installation in these applications.

NOTE: Dimensions shown in parentheses are in millimeters.

F	1/5/09	Revised Function & Heading	RN	CL	WEIGHT POUNDS	VOLUME CUBIC FEET	FIGURE NUMBER 6130
E	12/17/08	Revised Pipe Size	RN	CL			
D	12/08/08	Revised Variations	RN	CL			
C	11/20/08	Added ASME Note	JJ	CL			
REV.	DATE	DESCRIPTION	BY	CKD. BY			