

SPECIAL PURPOSE DRAIN

LARGE CAPACITY - SIDE OUTLET

FUNCTION: When large grate free area is required for accelerated drainage.

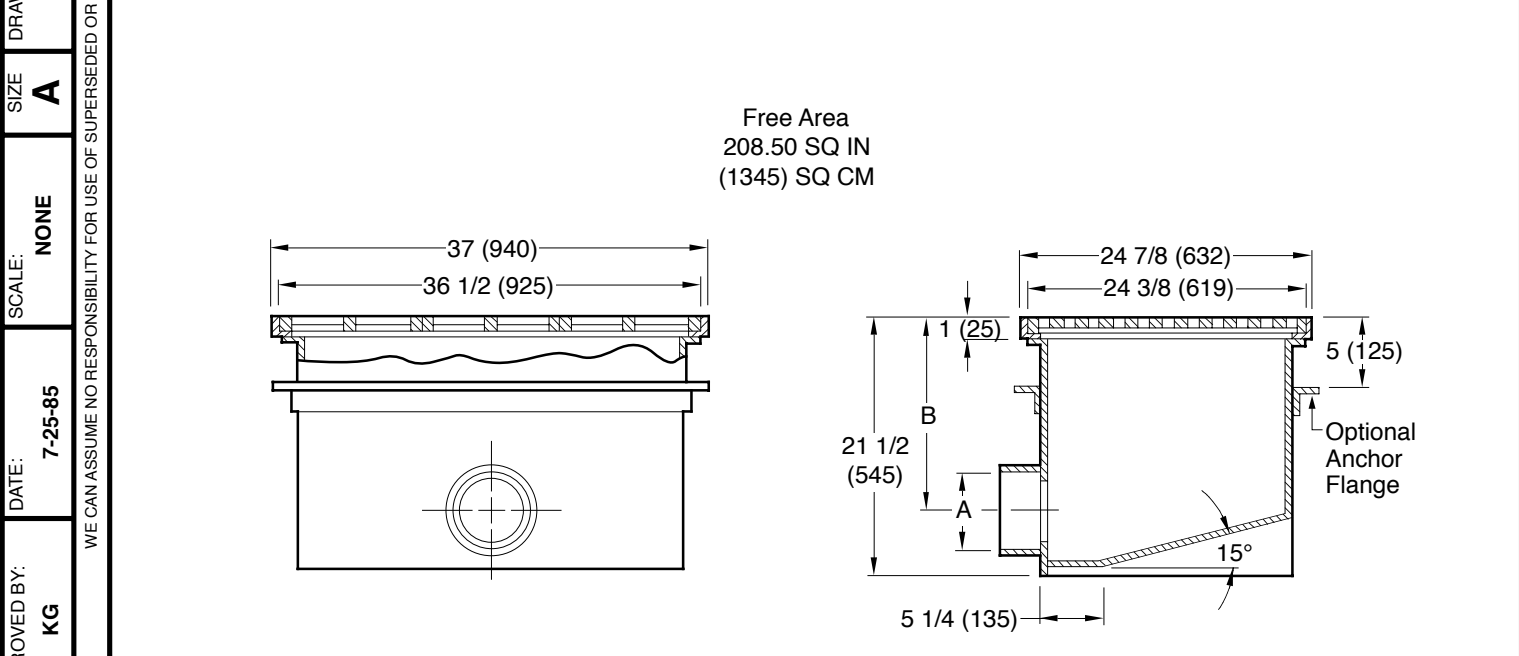


Fig. 6070C . . . CAULK OUTLET

A SIZE	"B" CAULK	"B" NO-HUB
06 (150)	17.53 (445)	17.85 (453)
08 (200)	16.38 (416)	16.81 (427)
10 (255)	15.31 (389)	15.72 (399)
12 (305)	14.25 (360)	14.85 (377)

- REGULARLY FURNISHED :**
 Fabricated Stainless Steel Body and Frame with Fabricated Stainless Steel Loose Set Grates.
- VARIATIONS:**
- Removable Stainless Steel Screen
 - Secured Grate -SG
 - Secured Grate with Vandal Proof Screws -U
 - Y NO-HUB Outlet
 - Anchor Flange -F

NOTE: This product does not conform to or meet the requirements of ASME Standard No. A112.19.8-2007, titled "Suction Fittings for Use in Swimming Pools, Wading Pools, Spas, and Hot Tubs." This product shall not be used in any installation in swimming pools, wading pools, spas, hot tubs as well as other aquatic facilities. Due to the potential endangerment from arduous and forceful suction, entrapment or entanglement regardless of whether it is hair, head, limbs or other body parts, this product is prohibited from installation in these applications.

NOTE: Dimensions shown in parentheses are in millimeters.

FIGURE NUMBER	6070	M L K J	4-30-19 3-10-16 3-17-15 1-22-15	Revised Optional Materials Rev. Table & Variations Rev. Callout & Variations Revised Reg. Furn.	MW TBW TBW TBW	CL CL TWK CL	WEIGHT POUNDS	VOLUME CUBIC FEET	FIGURE NUMBER 6070
REV.	DATE	DESCRIPTION			BY	CKD. BY			